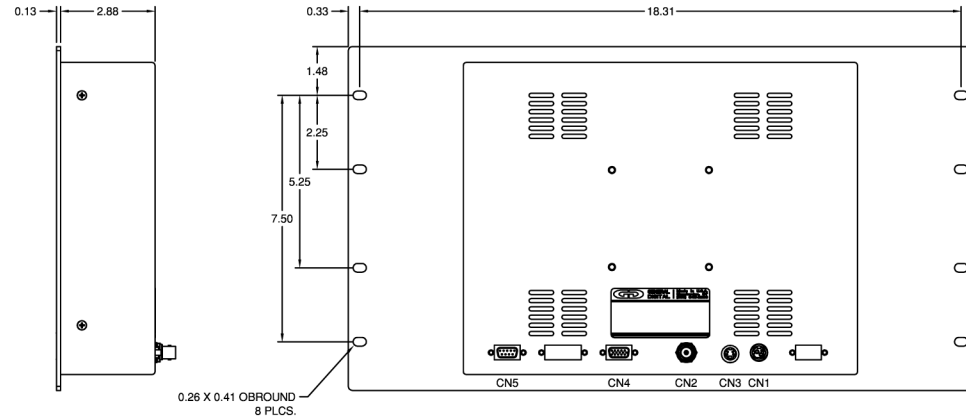
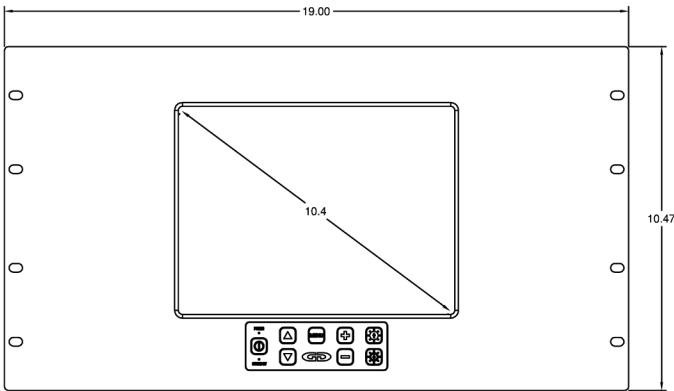
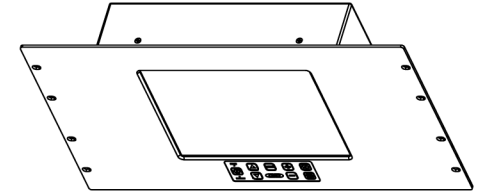
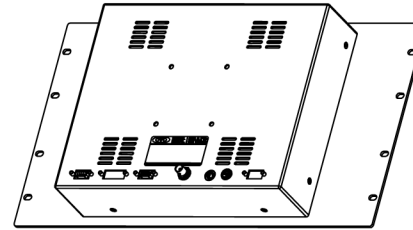
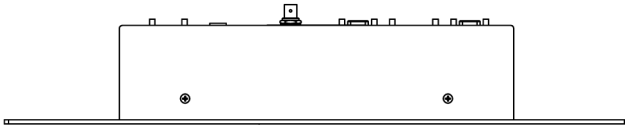


THIS DOCUMENT CONTAINS PROPRIETARY INFORMATION OF GENERAL DIGITAL AND IS NOT TO BE DISCLOSED, REPRODUCED OR PUBLISHED WITHOUT WRITTEN CONSENT FROM GENERAL DIGITAL. THIS DOCUMENT MUST BE RENDERED ILLEGIBLE WHEN BEING DISCARDED. © COPYRIGHT 2002. ALL RIGHTS RESERVED.

**RM-10V-200-dd-00-01-gg-0092**



CONNECTOR CHART			MECHANICAL OUTLINE ONLY SPECIFICATIONS SUBJECT TO CHANGE WITHOUT NOTICE	
DESIGNATION	FUNCTION	TYPE	APPROVALS	DATE
CN1	+12 VDC INPUT	3-PIN KYCON	DRAWN	C.P. 03-0ct-02
CN2	COMPOSITE VIDEO INPUT (opt)	BNC STYLE	CHECKED	T.R. 03-0ct-02
CN3	S-VIDEO INPUT (opt)	4-PIN MINI DIN	APPROVED	B.G. 03-0ct-02
CN4	ANALOG VIDEO INPUT	DE-15-S	DO NOT SCALE DRAWING	
CN5	SERIAL INPUT (opt)	DE-9-P		

**GD GENERAL DIGITAL**  
*The Innovators of Flat Panel Displays and Systems*  
 8 Nutmeg Road South, South Windsor, CT. 06074  
 (860) 282-2900 www.GenDig.com

**RGB INDUSTRIAL RACK MOUNT  
 10.4" VGA FLAT PANEL MONITOR**

<b>B</b>	CAGE CODE	DWG. NO.	REV
	1JA77	01-16	-