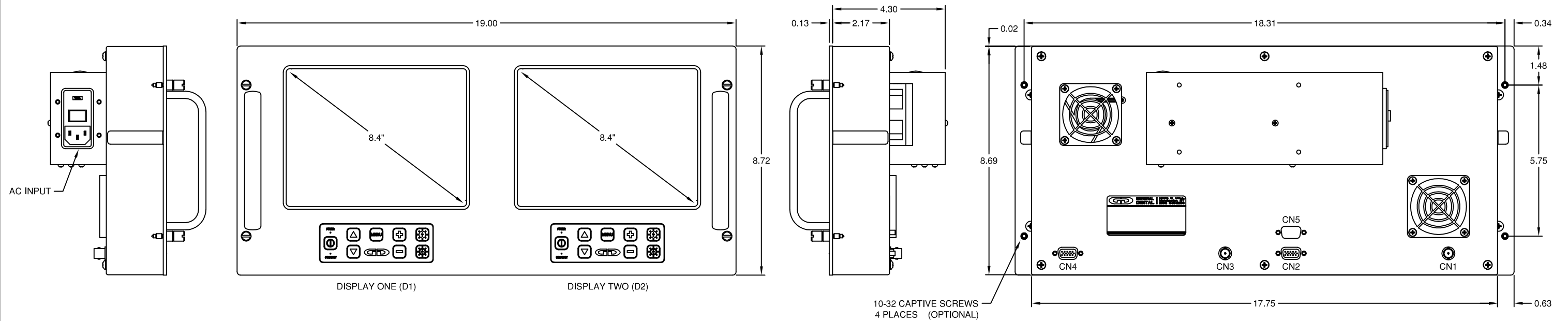
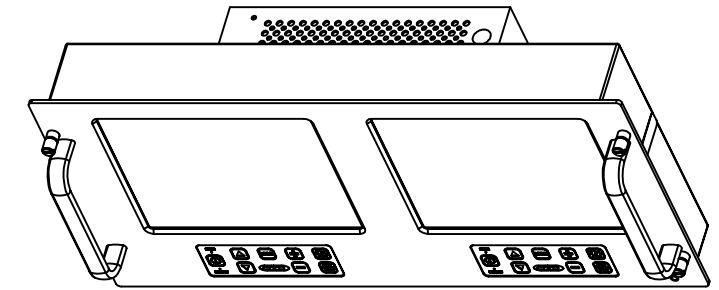
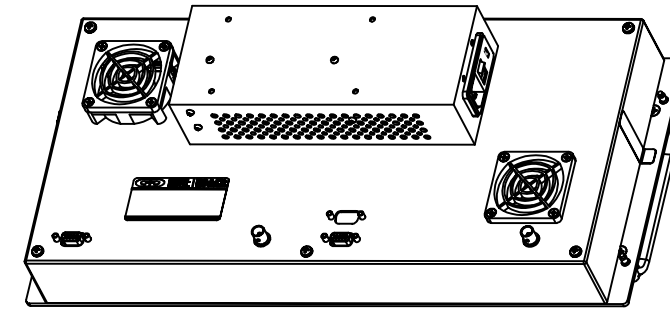
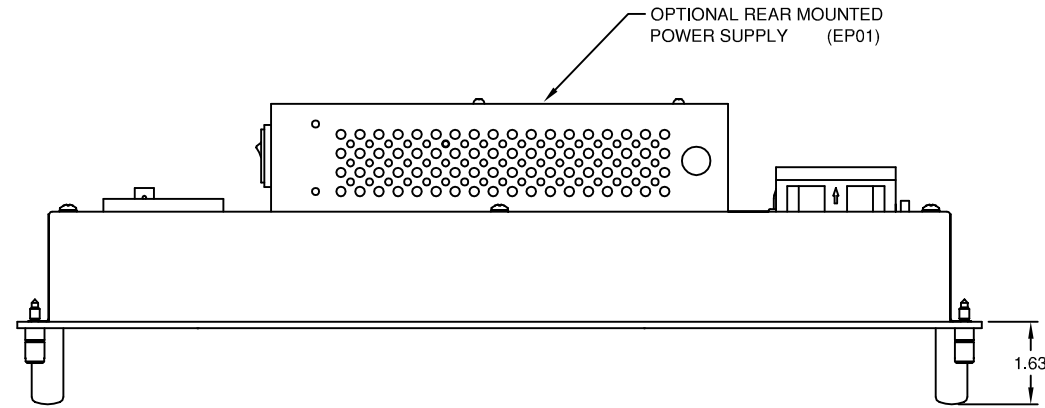


THIS DOCUMENT CONTAINS PROPRIETARY INFORMATION OF GENERAL DIGITAL AND IS NOT TO BE DISCLOSED, REPRODUCED OR PUBLISHED WITHOUT WRITTEN CONSENT FROM GENERAL DIGITAL. THIS DOCUMENT MUST BE RENDERED ILLEGIBLE WHEN BEING DISCARDED. © COPYRIGHT 2005. ALL RIGHTS RESERVED.

RM-08V-170-08-00-01-02-EP01-Dual



UNLESS OTHERWISE SPECIFIED
DIMENSIONS ARE IN INCHES
TOLERANCES ARE:
FRACTIONS DECIMALS ANGLES
±1/32 .X ±.031 ±0° 30'
.XX ±.020

| CONNECTOR CHART | | | MECHANICAL OUTLINE ONLY. SPECIFICATIONS SUBJECT TO CHANGE WITHOUT NOTICE. U.O.S. ALL DIMENSIONS ARE IN INCHES. | |
|-----------------|----------------------------|-----------|---|-----------|
| DESIGNATION | FUNCTION | TYPE | APPROVALS | DATE |
| CN1 | COMPOSITE VIDEO INPUT (D1) | BNC STYLE | DRAWN | 28-Jul-05 |
| CN2 | ANALOG VIDEO INPUT (D1) | DE-15-S | CHECKED | 28-Jul-05 |
| CN3 | COMPOSITE VIDEO INPUT (D2) | BNC STYLE | APPROVED | 28-Jul-05 |
| CN4 | ANALOG VIDEO INPUT (D2) | DE-15-S | B.G. | 28-Jul-05 |
| CN5 | 12V DC INPUT (OPTIONAL) | DE-2W2 | DO NOT SCALE DRAWING | |



The Innovators of Flat Panel Technology
8 Nutmeg Road South, South Windsor, CT 06074
(860) 282-2900 www.GeneralDigital.com

**RGB DUAL RACK MOUNT MONITOR
8.4" VGA FLAT PANEL MONITOR**

| | | | |
|----------|-----------|----------|-----|
| B | CAGE CODE | DWG. NO. | REV |
| | 1JA77 | 05-34 | - |