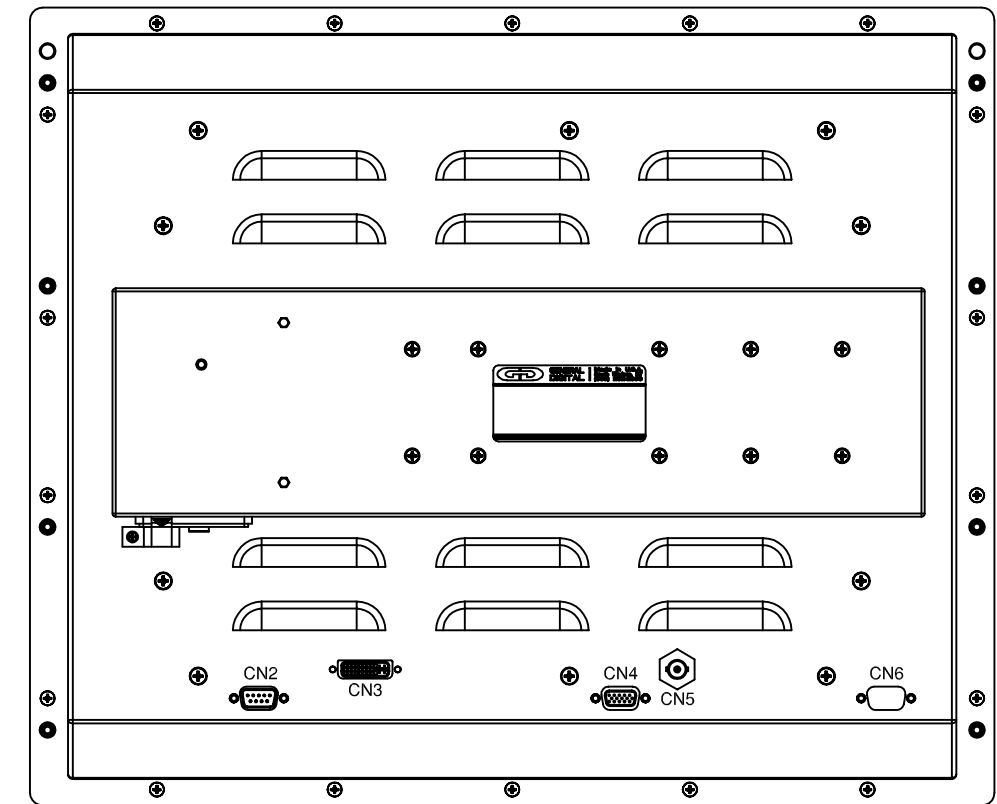
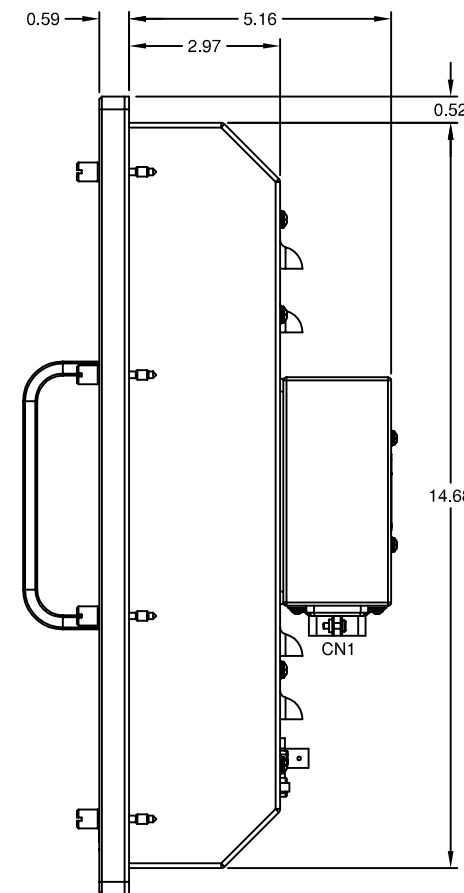
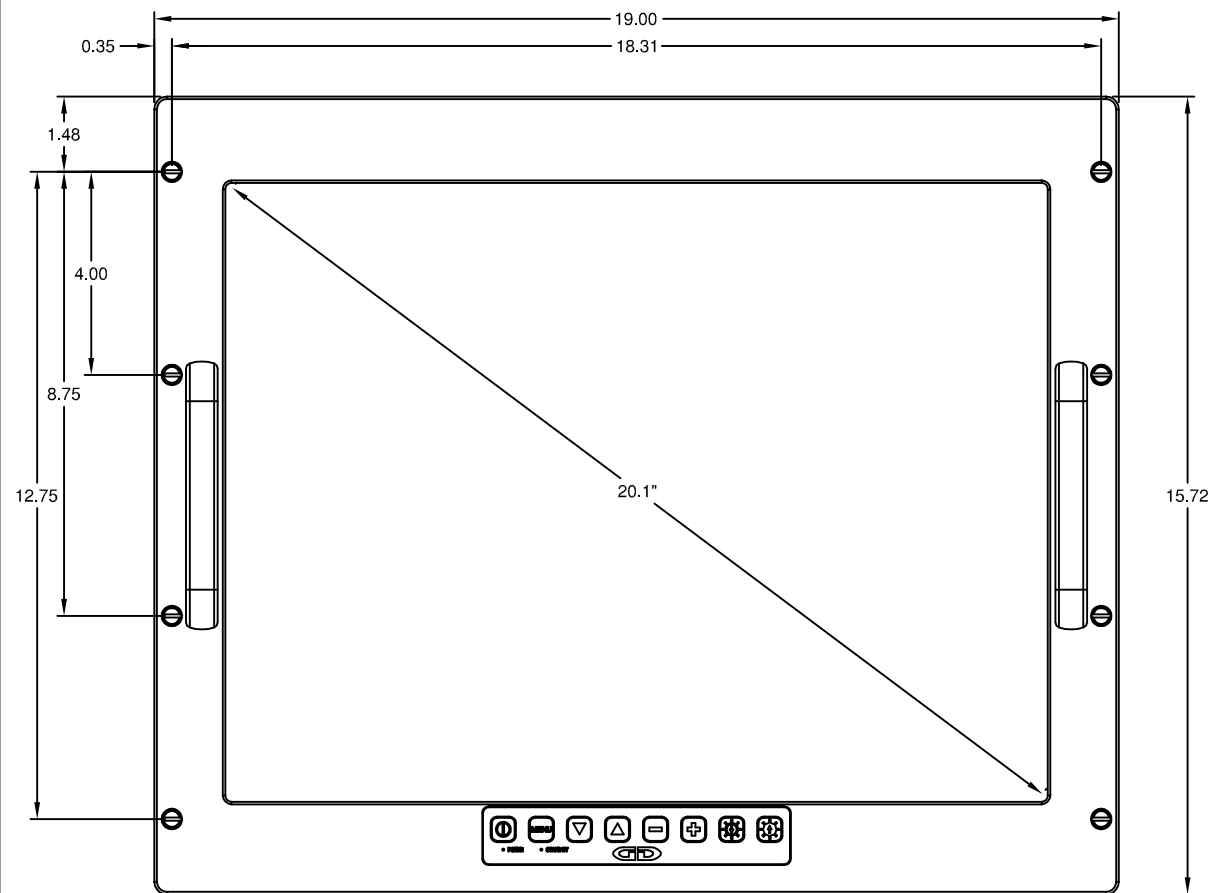
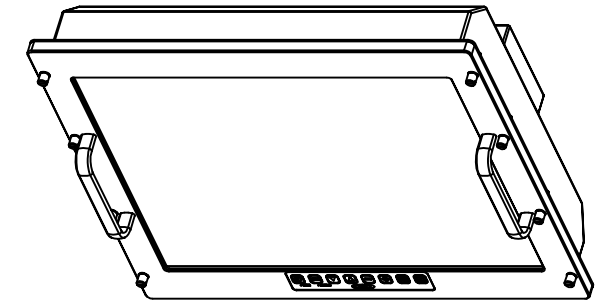
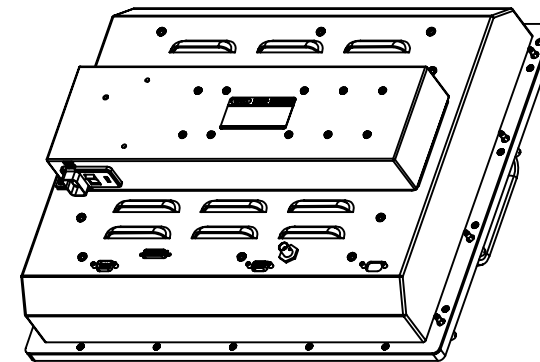
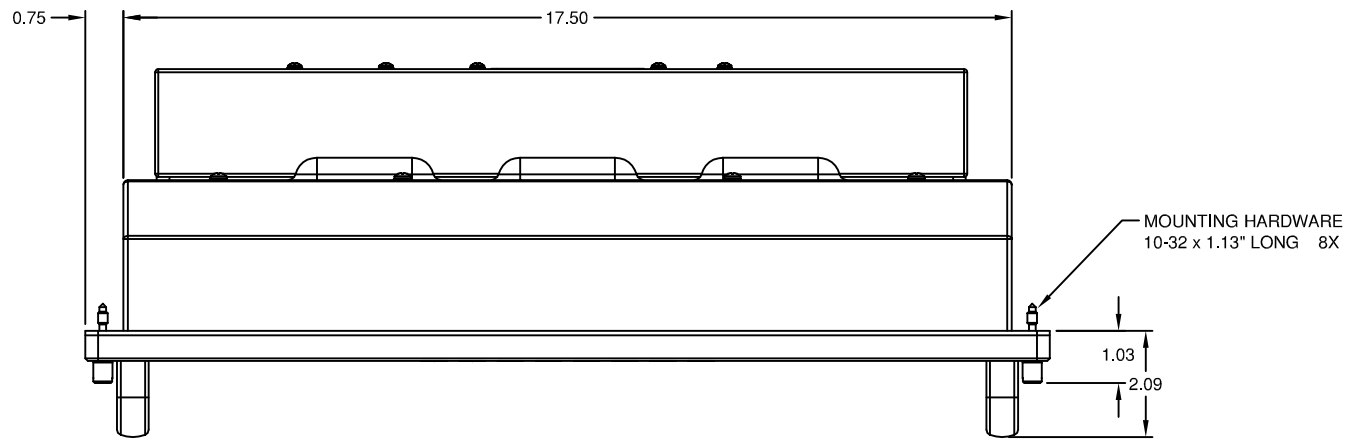


THIS DOCUMENT CONTAINS PROPRIETARY INFORMATION OF GENERAL DIGITAL AND IS NOT TO BE DISCLOSED, REPRODUCED OR PUBLISHED WITHOUT WRITTEN CONSENT FROM GENERAL DIGITAL. THIS DOCUMENT MUST BE RENDERED ILLEGIBLE WHEN BEING DISCARDED. © COPYRIGHT 2006. ALL RIGHTS RESERVED.

# CMR-20U-8cc-dd-00-55-gg-EA26



UNLESS OTHERWISE SPECIFIED  
DIMENSIONS ARE IN INCHES  
TOLERANCES ARE:  
FRACTIONS DECIMALS ANGLES  
±1/32 .X ±.031 ±0° 30'  
.XX ±.020

CONNECTOR CHART			MECHANICAL OUTLINE ONLY. SPECIFICATIONS SUBJECT TO CHANGE WITHOUT NOTICE. U.O.S. ALL DIMENSIONS ARE IN INCHES.	
DESIGNATION	FUNCTION	TYPE	APPROVALS	DATE
CN1	AC INPUT w/CORD LOCK	IEC-320	C.P.	16-Jan-06
CN2	SERIAL INPUT (OPTIONAL)	DE-9-S		
CN3	DIGITAL VIDEO INPUT (DVI-A)	DVI	T.R.	16-Jan-06
CN4	ANALOG VIDEO INPUT	DE-15-S		
CN5	COMPOSITE VIDEO INPUT	BNC	B.G.	16-Jan-06
CN6	SERVICE			



*The Innovators of Flat Panel Technology*  
8 Nutmeg Road South, South Windsor, CT 06074  
(860) 282-2900 www.GeneralDigital.com

Chassis Monitor Rack Mount (COTS)  
20.1" UXGA Flat Panel Monitor

<b>B</b>	CAGE CODE	DWG. NO.	REV
	1JA77	06-01	A

DO NOT SCALE DRAWING