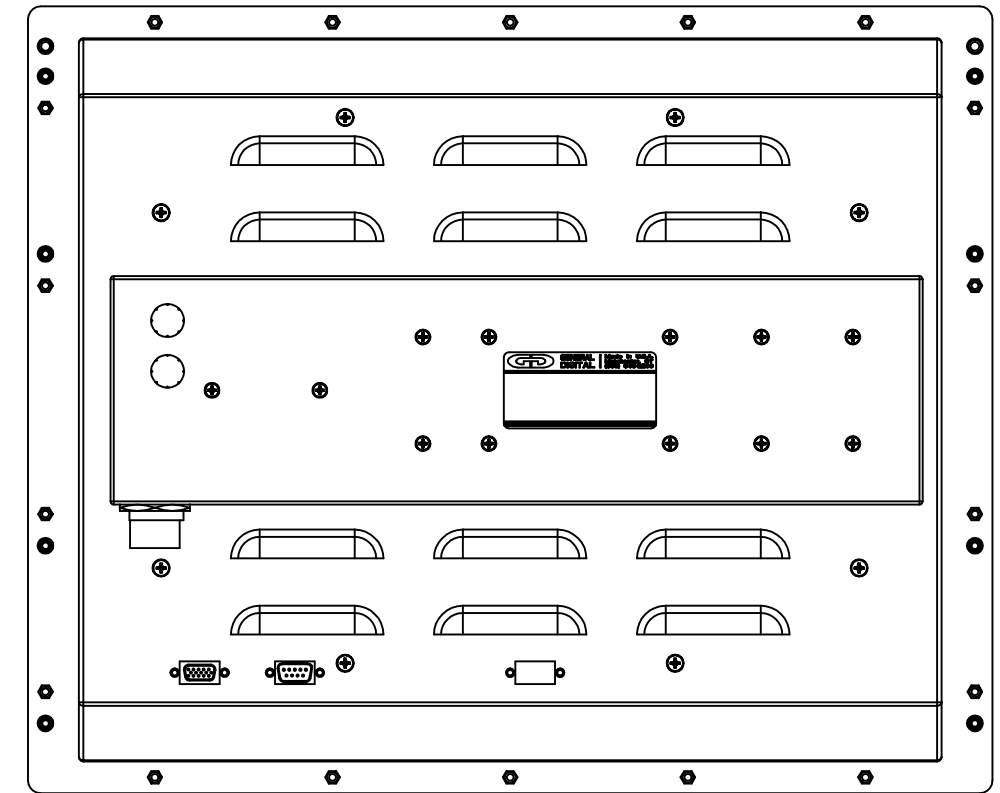
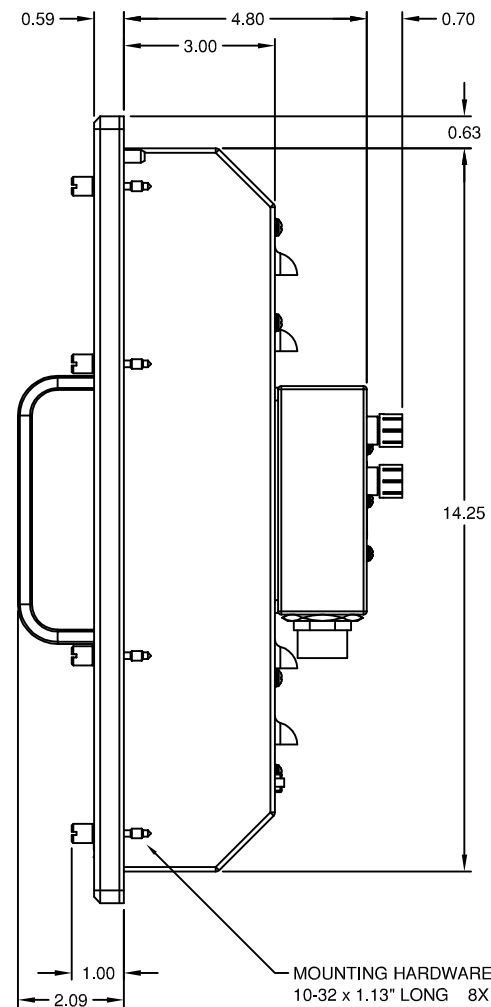
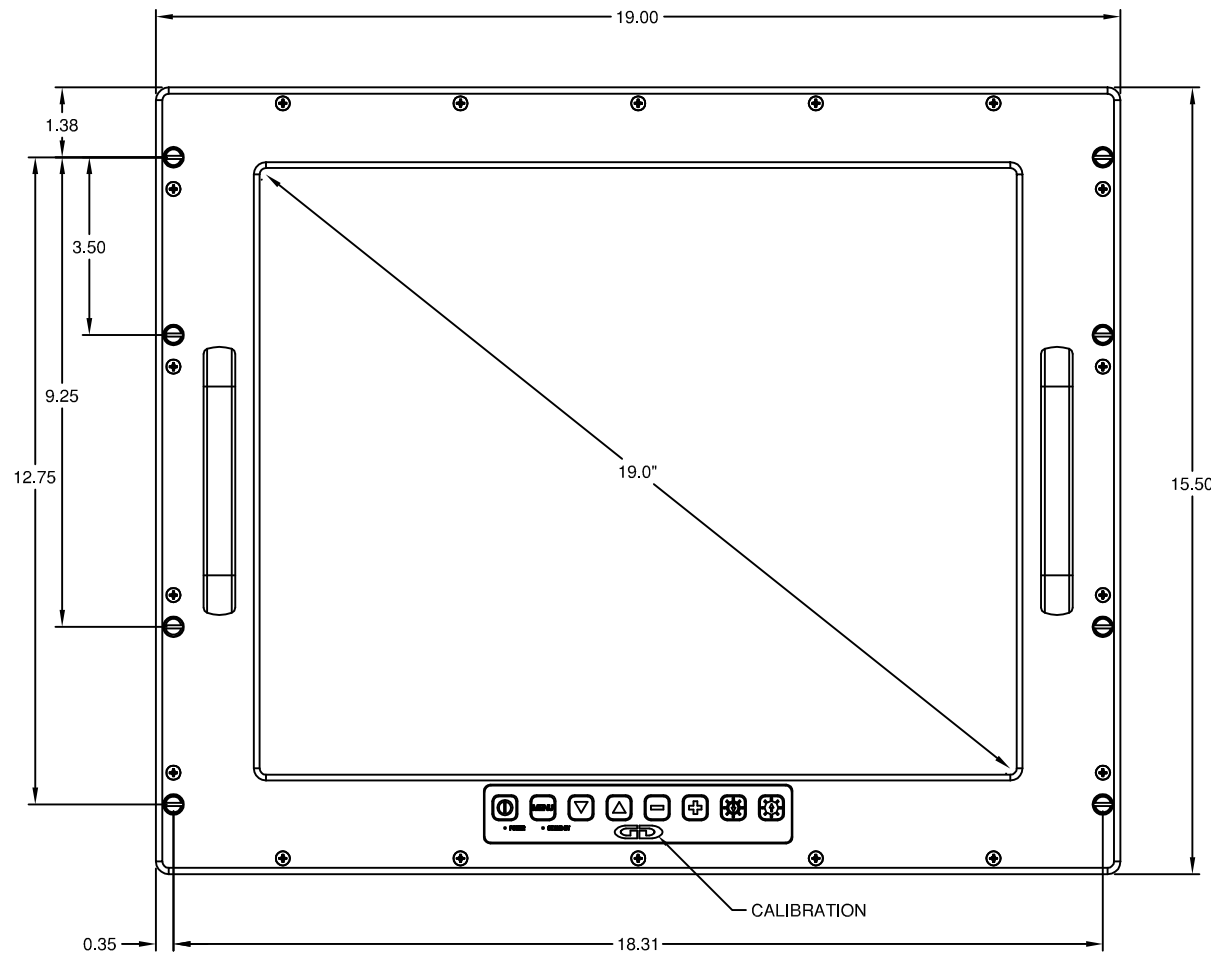
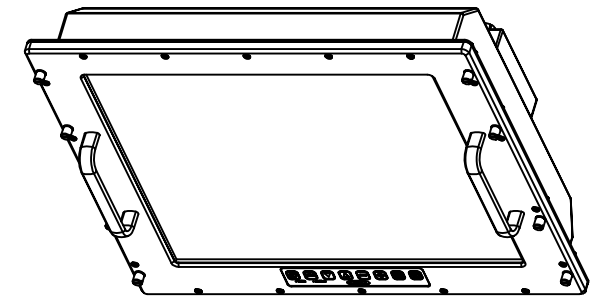
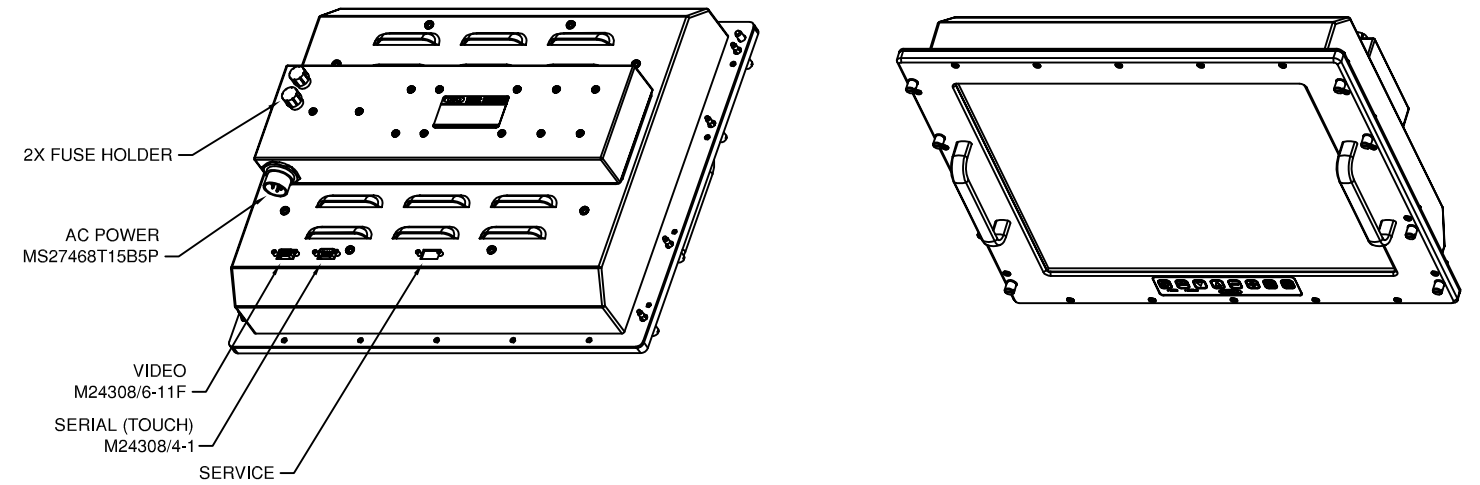
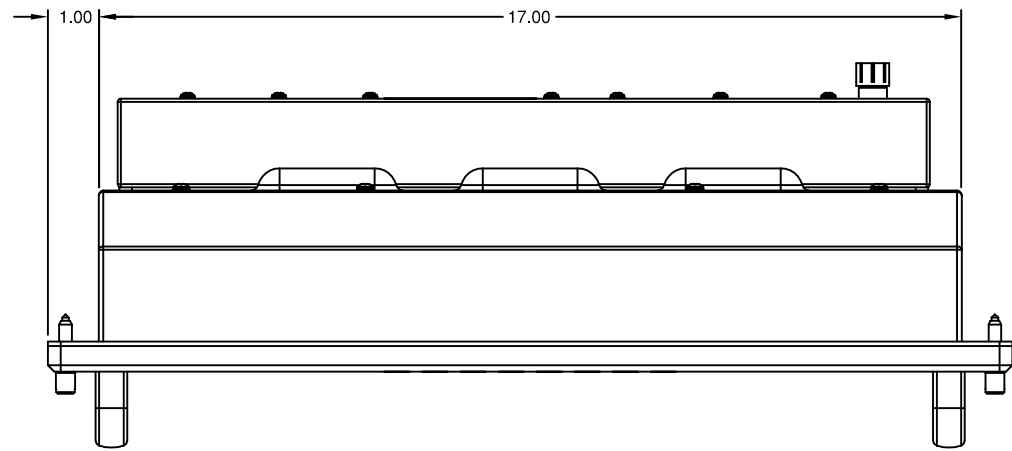


THIS DOCUMENT CONTAINS PROPRIETARY INFORMATION OF GENERAL DIGITAL AND IS NOT TO BE DISCLOSED, REPRODUCED OR PUBLISHED WITHOUT WRITTEN CONSENT FROM GENERAL DIGITAL. THIS DOCUMENT MUST BE RENDERED ILLEGIBLE WHEN BEING DISCARDED. © COPYRIGHT 2005. ALL RIGHTS RESERVED.

# CMR-19W-702-dd-00-54-gg-EA26



MECHANICAL OUTLINE ONLY. SPECIFICATIONS SUBJECT TO CHANGE WITHOUT NOTICE. U.O.S. ALL DIMENSIONS ARE IN INCHES.

APPROVALS	DATE
DRAWN C.P.	28-Jan-05
CHECKED T.R.	28-Jan-05
APPROVED B.G.	28-Jan-05
DO NOT SCALE DRAWING	



*The Innovators of Flat Panel Technology*  
 8 Nutmeg Road South, South Windsor, CT 06074  
 (860) 282-2900 www.GeneralDigital.com

Chassis Monitor Rack Mount (COTS)  
 19.0" SXGA Flat Panel Monitor

<b>B</b>	CAGE CODE	DWG. NO.	REV
	1JA77	04-31	-