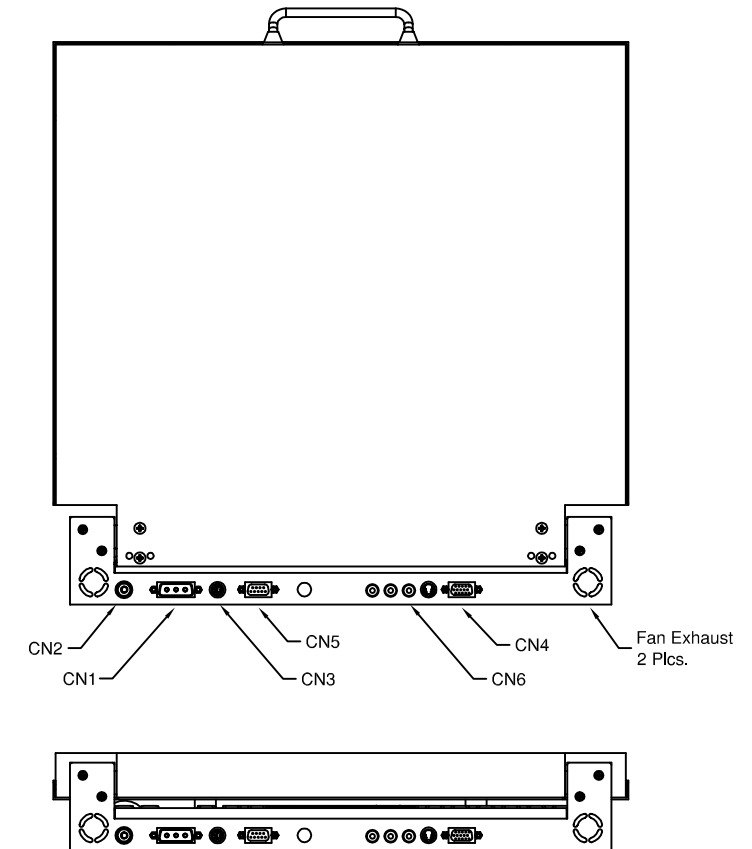
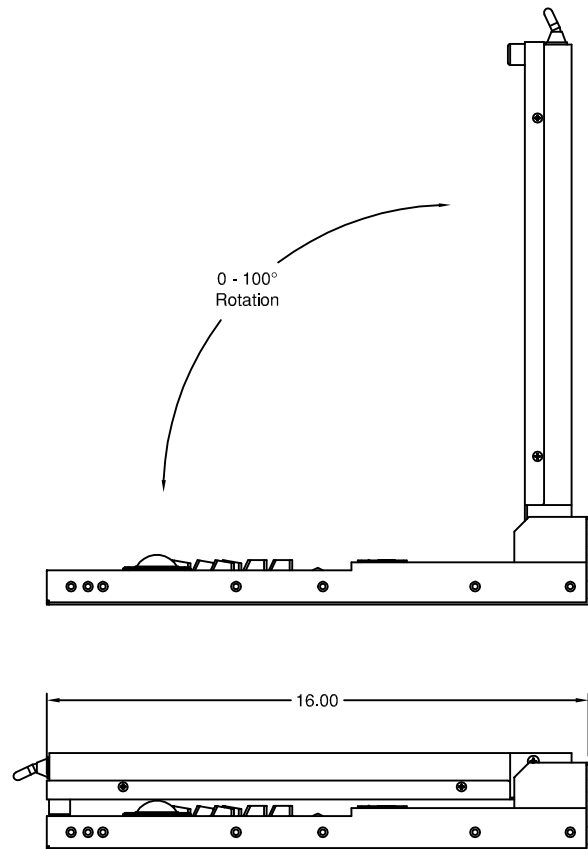
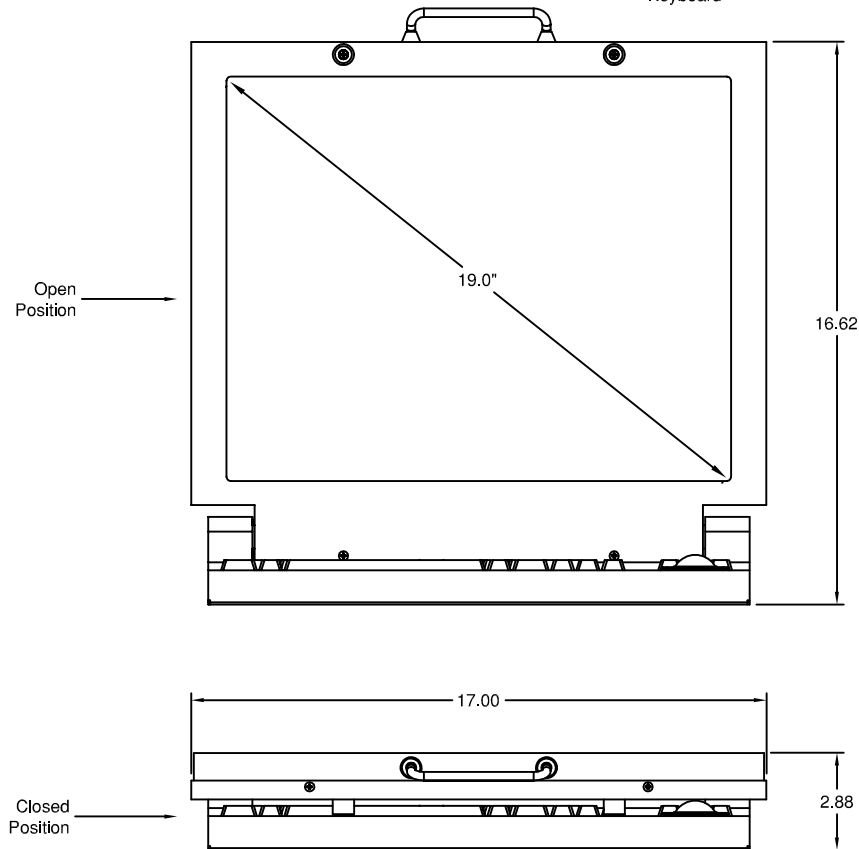
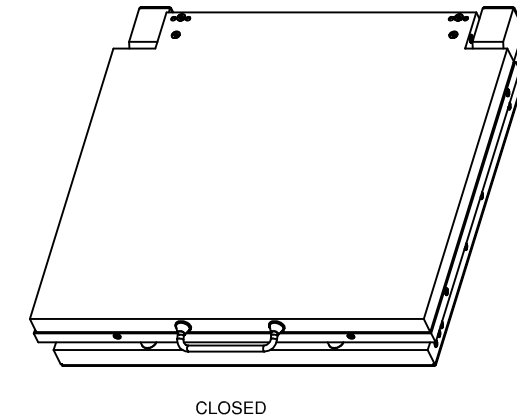
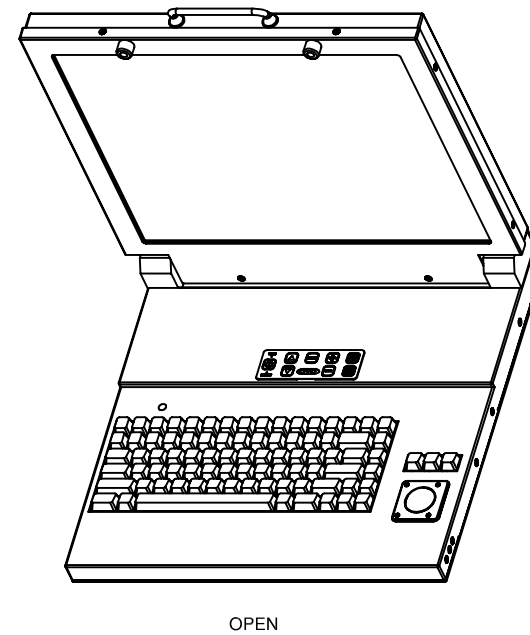
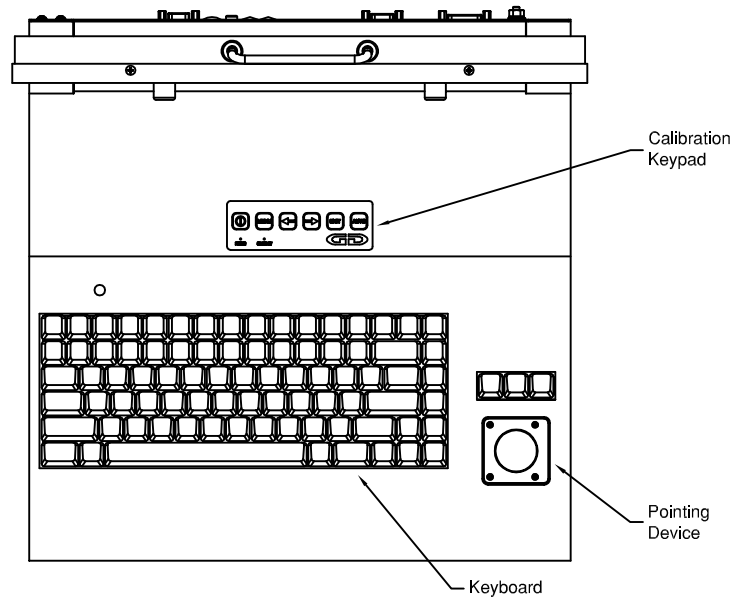


THIS DOCUMENT CONTAINS PROPRIETARY INFORMATION OF GENERAL DIGITAL AND IS NOT TO BE DISCLOSED, REPRODUCED OR PUBLISHED WITHOUT WRITTEN CONSENT FROM GENERAL DIGITAL. THIS DOCUMENT MUST BE RENDERED ILLEGIBLE WHEN BEING DISCARDED. © COPYRIGHT 2006. ALL RIGHTS RESERVED.

SL2-19W-7cc-dd-ee-03-00-0092



UNLESS OTHERWISE SPECIFIED
DIMENSIONS ARE IN INCHES
TOLERANCES ARE:
FRACTIONS DECIMALS ANGLES
±1/32 .X ±.031 ±0° 30'
.XX ±.020

CONNECTOR CHART			MECHANICAL OUTLINE ONLY. SPECIFICATIONS SUBJECT TO CHANGE WITHOUT NOTICE. U.O.S. ALL DIMENSIONS ARE IN INCHES.	
DESIGNATION	FUNCTION	TYPE	APPROVALS	DATE
CN1	+12 VDC INPUT	DA-3W3-P	DRAWN C.P.	22-Feb-06
CN2	GROUND STUD	10-32 UNF-2A		
CN3	KEYBOARD	6-PIN MINI DIN	CHECKED T.R.	22-Feb-06
CN4	ANALOG VIDEO INPUT	DE-15-S	APPROVED B.G.	22-Feb-06
CN5	SERIAL INPUT	DE-9-S		
CN6	COMPOSITE VIDEO INPUT	RCA STYLE	DO NOT SCALE DRAWING	

GD GENERAL DIGITAL
The Innovators of Flat Panel Technology
8 Nutmeg Road South, South Windsor, CT 06074
(860) 282-2900 www.GeneralDigital.com

SlimLine Lite II
19.0" SXGA Flat Panel Monitor

B	CAGE CODE	DWG. NO.	REV
	1JA77	06-06	-