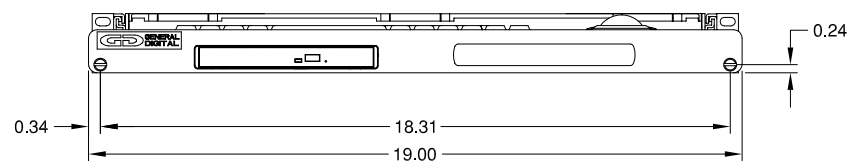
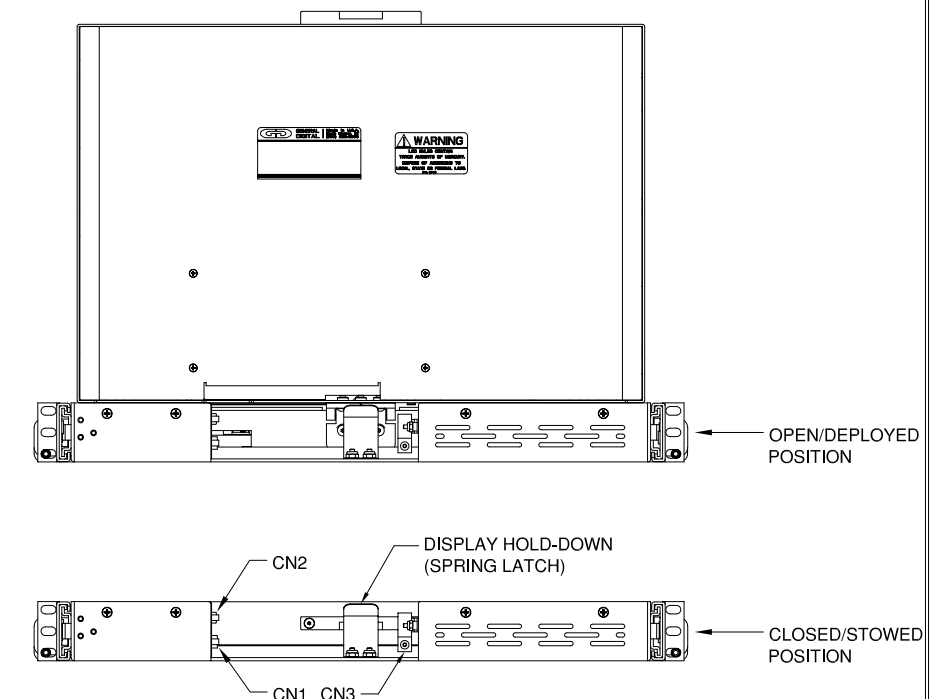
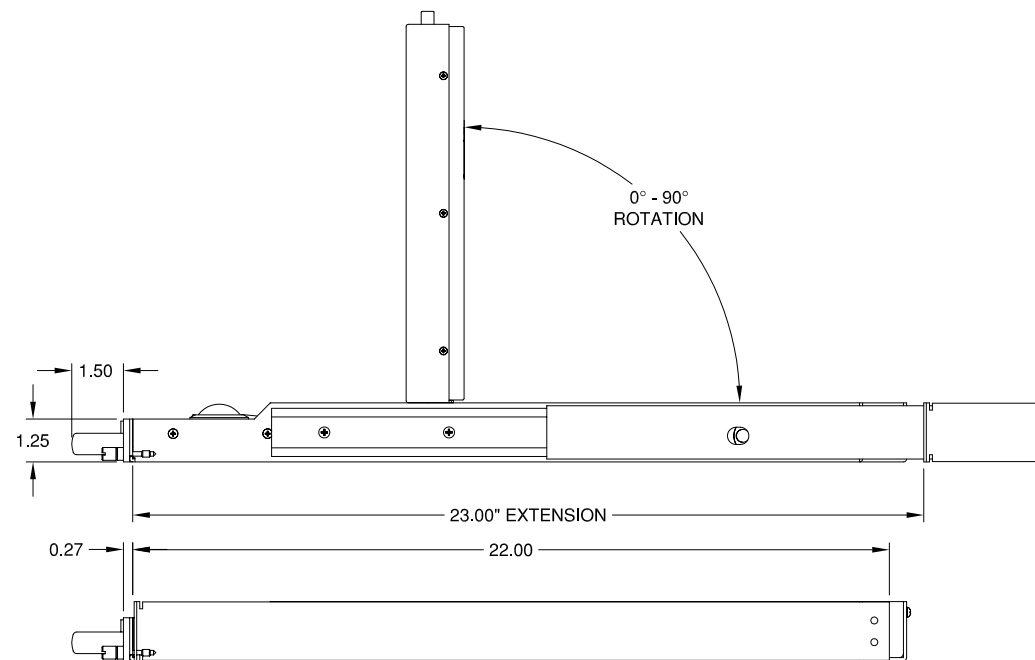
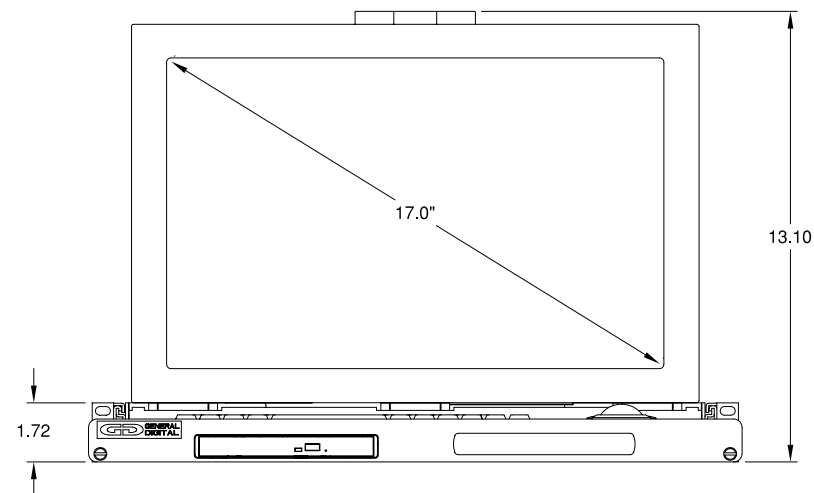
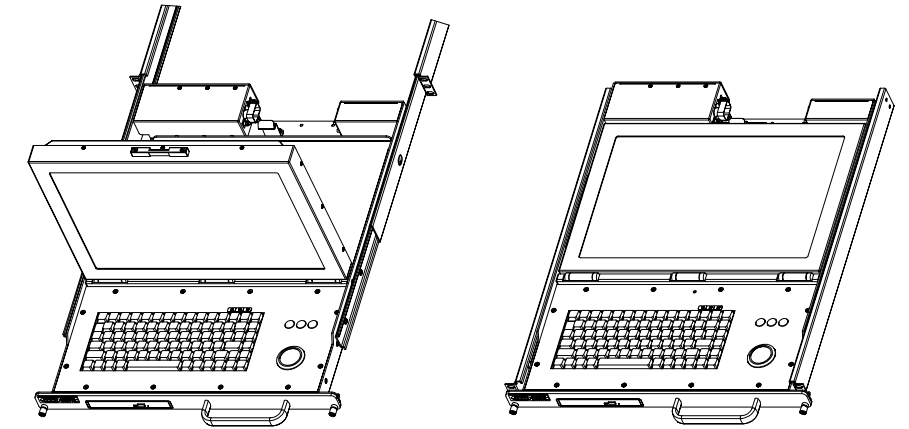
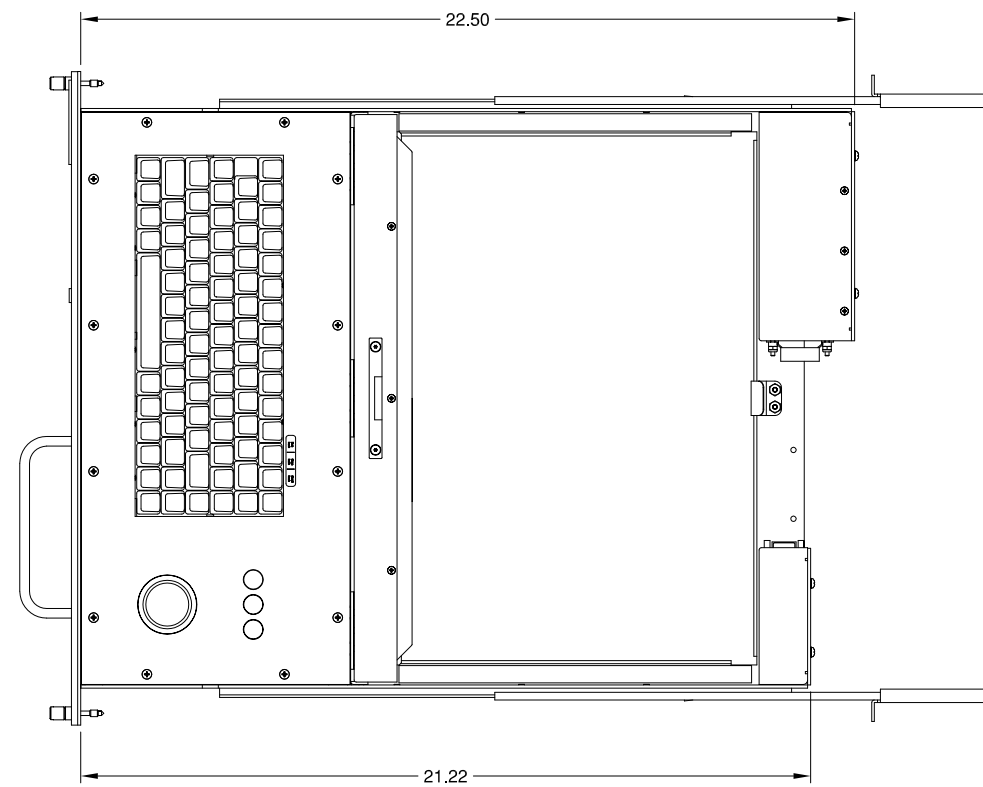


SL1-17B-523-31-48-02-02-IA30-108



THIS DOCUMENT CONTAINS PROPRIETARY INFORMATION OF GENERAL DIGITAL AND IS NOT TO BE DISCLOSED, REPRODUCED OR PUBLISHED WITHOUT WRITTEN CONSENT FROM GENERAL DIGITAL. THIS DOCUMENT MUST BE RENDERED ILLEGIBLE WHEN BEING DISCARDED. © COPYRIGHT 2009. ALL RIGHTS RESERVED.

UNLESS OTHERWISE SPECIFIED DIMENSIONS ARE IN INCHES  
TOLERANCES ARE:  
FRACTIONS DECIMALS ANGLES  
±1/32 .X ±.050 ±0° 30'  
.XX ±.031  
.XXX±.020

CONNECTOR CHART		
DESIGNATION	FUNCTION	TYPE
CN1	USB INPUT	DE-9-S
CN2	ANALOG VIDEO INPUT	DE-15-S
CN3	AC INPUT	IEC-320

MECHANICAL OUTLINE ONLY. SPECIFICATIONS SUBJECT TO CHANGE WITHOUT NOTICE. U.O.S. ALL DIMENSIONS ARE IN INCHES.

APPROVALS		DATE
DRAWN	C.P.	25-Jan-10
CHECKED	T.R.	25-Jan-10
APPROVED	B.G.	25-Jan-10
DO NOT SCALE DRAWING		



*The Innovators of Flat Panel Technology*  
8 Nutmeg Road South, South Windsor, CT 06074  
(860) 282-2900 www.GeneralDigital.com

SlimLine 1U  
17.0" WXGA+ FLAT PANEL MONITOR

REV	DATE	ECN	DESCRIPTION	BY
A	03-Mar-10	E002592	CHANGED SLIDES FROM 24.0" TO 22.0"	CP

<b>B</b>	CAGE CODE	DWG. NO.	REV
	1JA77	10-01	A