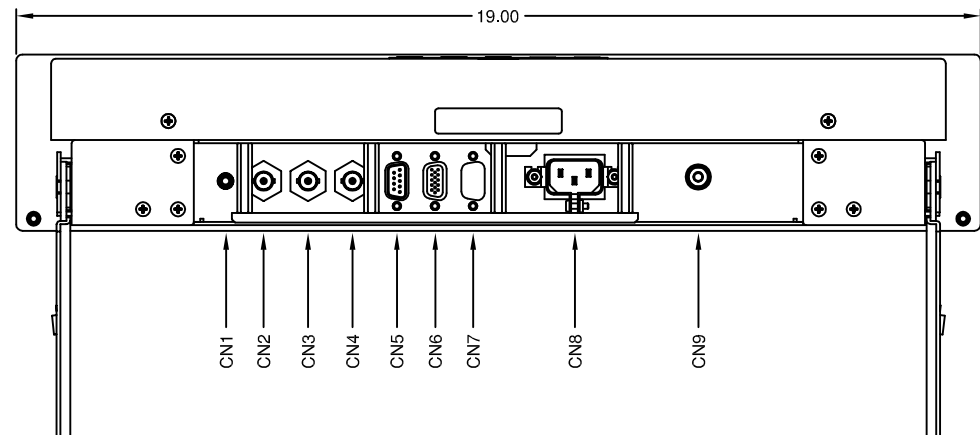
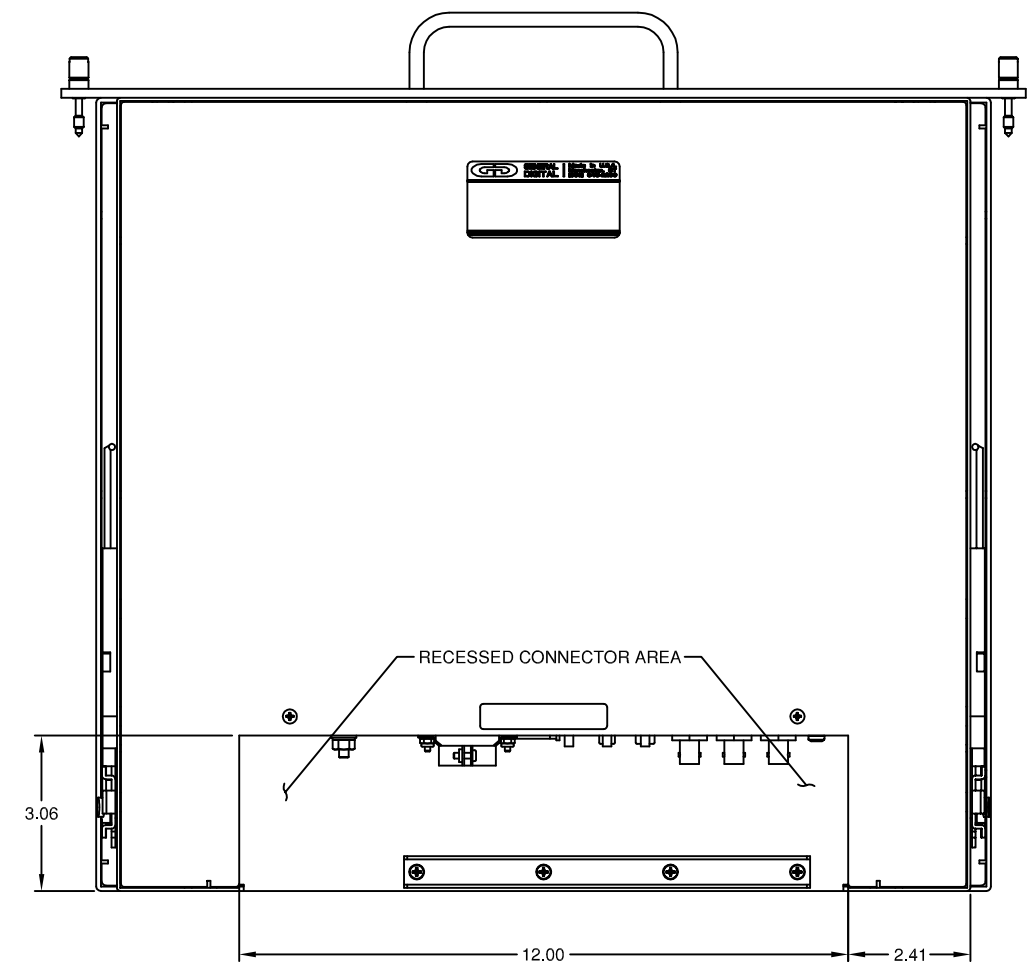
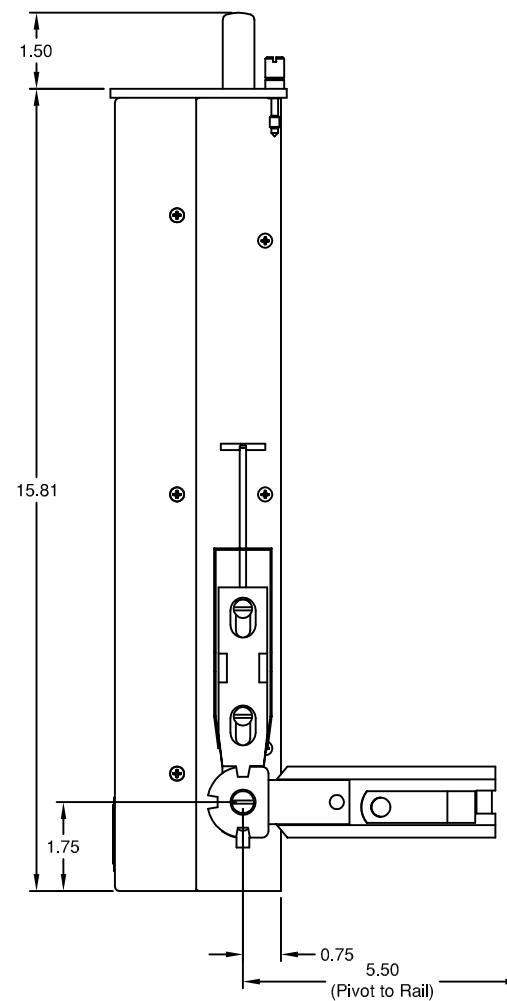
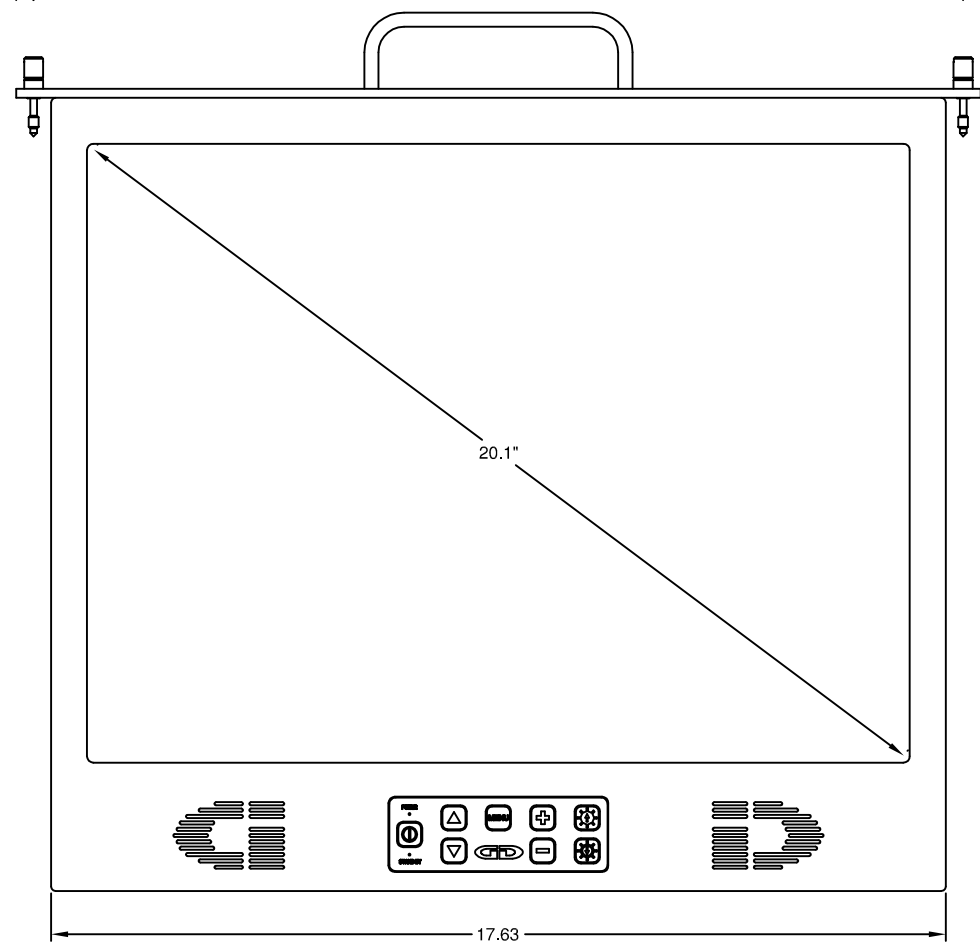
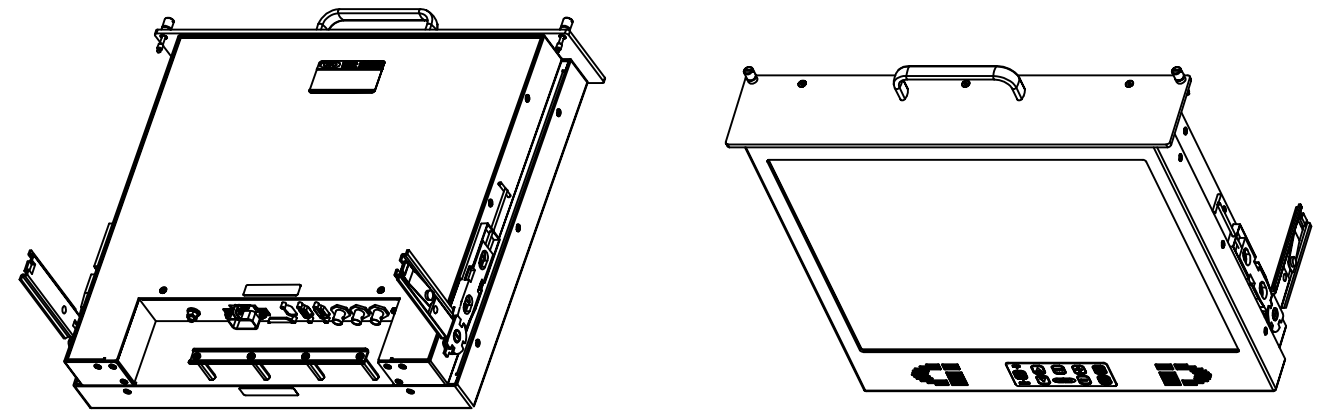
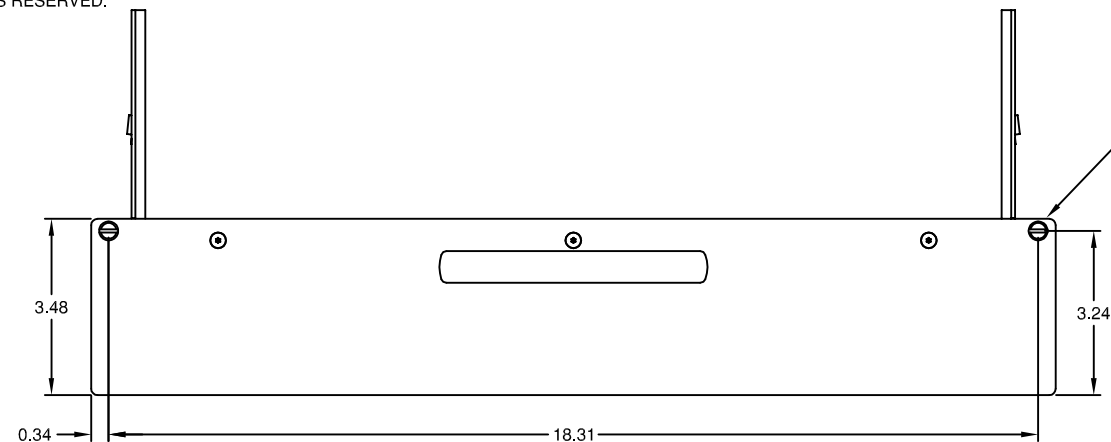


THIS DOCUMENT CONTAINS PROPRIETARY INFORMATION OF GENERAL DIGITAL AND IS NOT TO BE DISCLOSED, REPRODUCED OR PUBLISHED WITHOUT WRITTEN CONSENT FROM GENERAL DIGITAL. THIS DOCUMENT MUST BE RENDERED ILLEGIBLE WHEN BEING DISCARDED. © COPYRIGHT 2005. ALL RIGHTS RESERVED.

RH-20U-808-dd-00-05-gg-IP31



CONNECTOR CHART			MECHANICAL OUTLINE ONLY. SPECIFICATIONS SUBJECT TO CHANGE WITHOUT NOTICE. U.O.S. ALL DIMENSIONS ARE IN INCHES.	
DESIGNATION	FUNCTION	TYPE	APPROVALS	DATE
CN1	AUDIO INPUT	3.5mm STEREO	DRAWN C.P.	06-Apr-05
CN2, 3, 4	COMPOSITE VIDEO INPUT	BNC STYLE		
CN5	S-VIDEO INPUT (2)	DE-9-P	CHECKED T.R.	06-Apr-05
CN6	ANALOG VIDEO INPUT	DE-15-S		
CN7	SERIAL INPUT (OPTIONAL)	DE-9-S	APPROVED B.G.	06-Apr-05
CN8	AC INPUT	IEC-320		
CN9	CHASSIS GROUND STUD	10-32 UNF-2A	DO NOT SCALE DRAWING	

GD GENERAL DIGITAL
The Innovators of Flat Panel Technology
 8 Nutmeg Road South, South Windsor, CT 06074
 (860) 282-2900 www.GeneralDigital.com

RACK HINGE 2U
20.1" UXGA FLAT PANEL MONITOR

B	CAGE CODE	DWG. NO.	REV
	1JA77	05-18	A