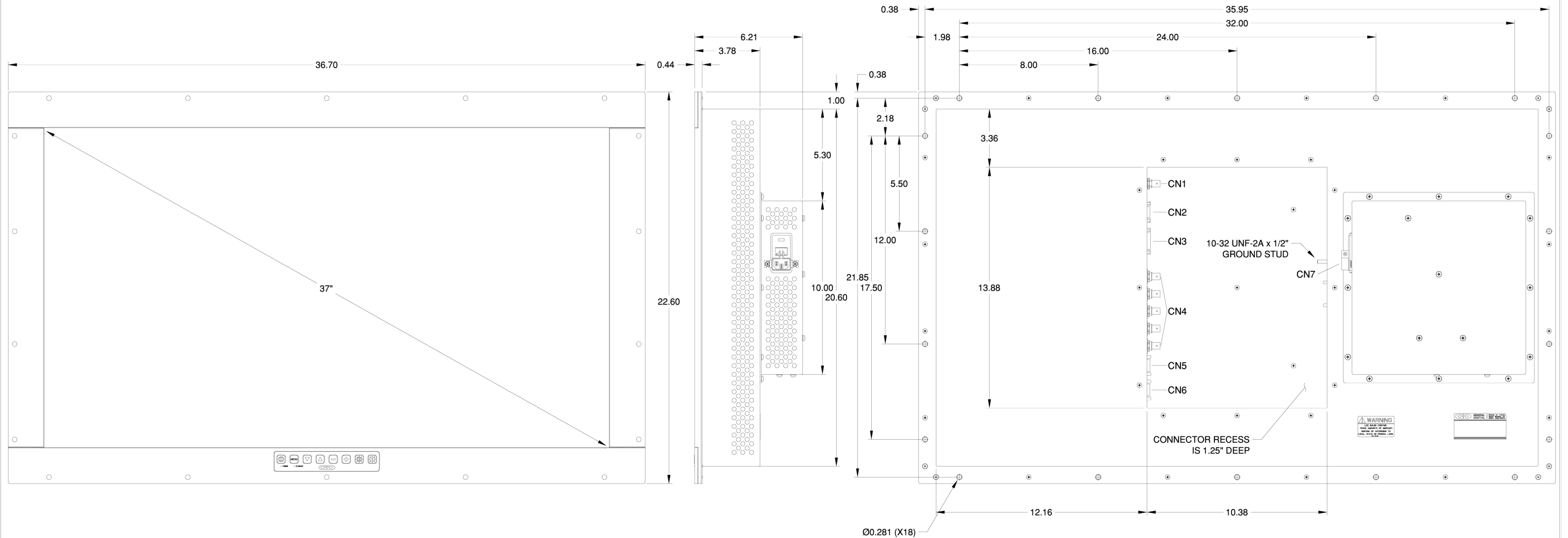
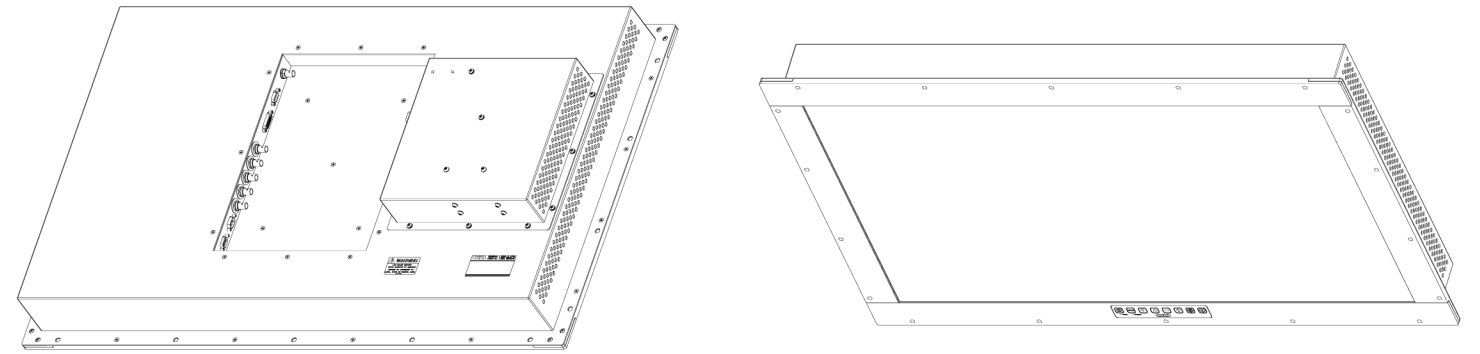
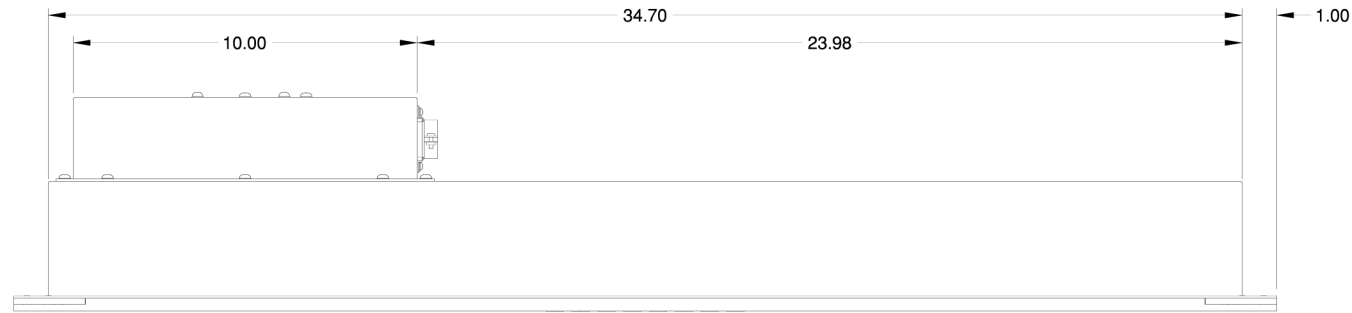


TP-37D-820-dd-00-14-gg-EP08



THIS DOCUMENT CONTAINS PROPRIETARY INFORMATION OF GENERAL DIGITAL AND IS NOT TO BE DISCLOSED, REPRODUCED OR PUBLISHED WITHOUT WRITTEN CONSENT FROM GENERAL DIGITAL. THIS DOCUMENT MUST BE RENDERED ILLEGIBLE WHEN BEING DISCARDED. © COPYRIGHT 2008. ALL RIGHTS RESERVED.

UNLESS OTHERWISE SPECIFIED DIMENSIONS ARE IN INCHES TOLERANCES ARE:
 FRACTIONS DECIMALS ANGLES
 ±1/32 .X ±.050 ±0° 30'
 .XX ±.031
 .XXX±.020

CONNECTOR CHART		
DESIGNATION	FUNCTION	TYPE
CN1	COMPOSITE VIDEO INPUT	BNC JACKS
CN2	ANALOG VIDEO INPUT	DE-15-S
CN3	DVI-D INPUT	DVI-D
CN4 *	SECONDARY ANALOG VIDEO INPUT	(5) BNC JACKS
CN5 *	SERIAL MAINTENANCE PORT	DE-9-P
CN6 *	EXTERNAL OSD CONTROL PORT	DE-15-P
CN7	AC LINE INPUT	IEC-320

MECHANICAL OUTLINE ONLY. SPECIFICATIONS SUBJECT TO CHANGE WITHOUT NOTICE. U.O.S. ALL DIMENSIONS ARE IN INCHES.

APPROVALS		DATE
DRAWN	C.P.	19-May-08
CHECKED	T.R.	19-May-08
APPROVED	B.G.	19-May-08

DO NOT SCALE DRAWING

GENERAL DIGITAL
The Innovators of Flat Panel Technology
 8 Nutmeg Road South, South Windsor, CT 06074
 (860) 282-2900 www.GeneralDigital.com

**PANEL MOUNT INDUSTRIAL MONITOR
 37" WUXGA FLAT PANEL MONITOR**

REV	DATE	ECN	DESCRIPTION	BY

B	CAGE CODE	DWG. NO.	REV
	1JA77	08-11	-