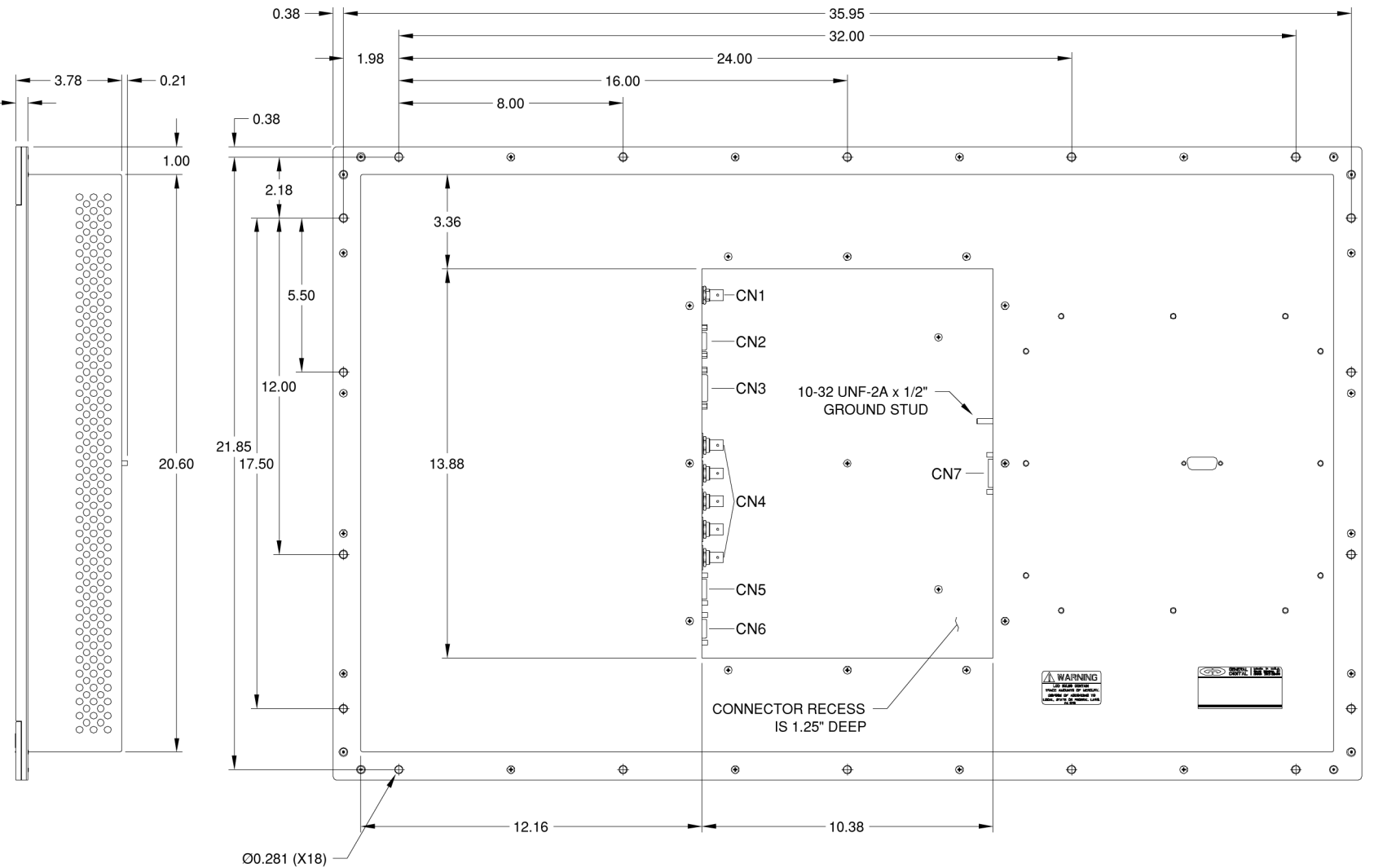
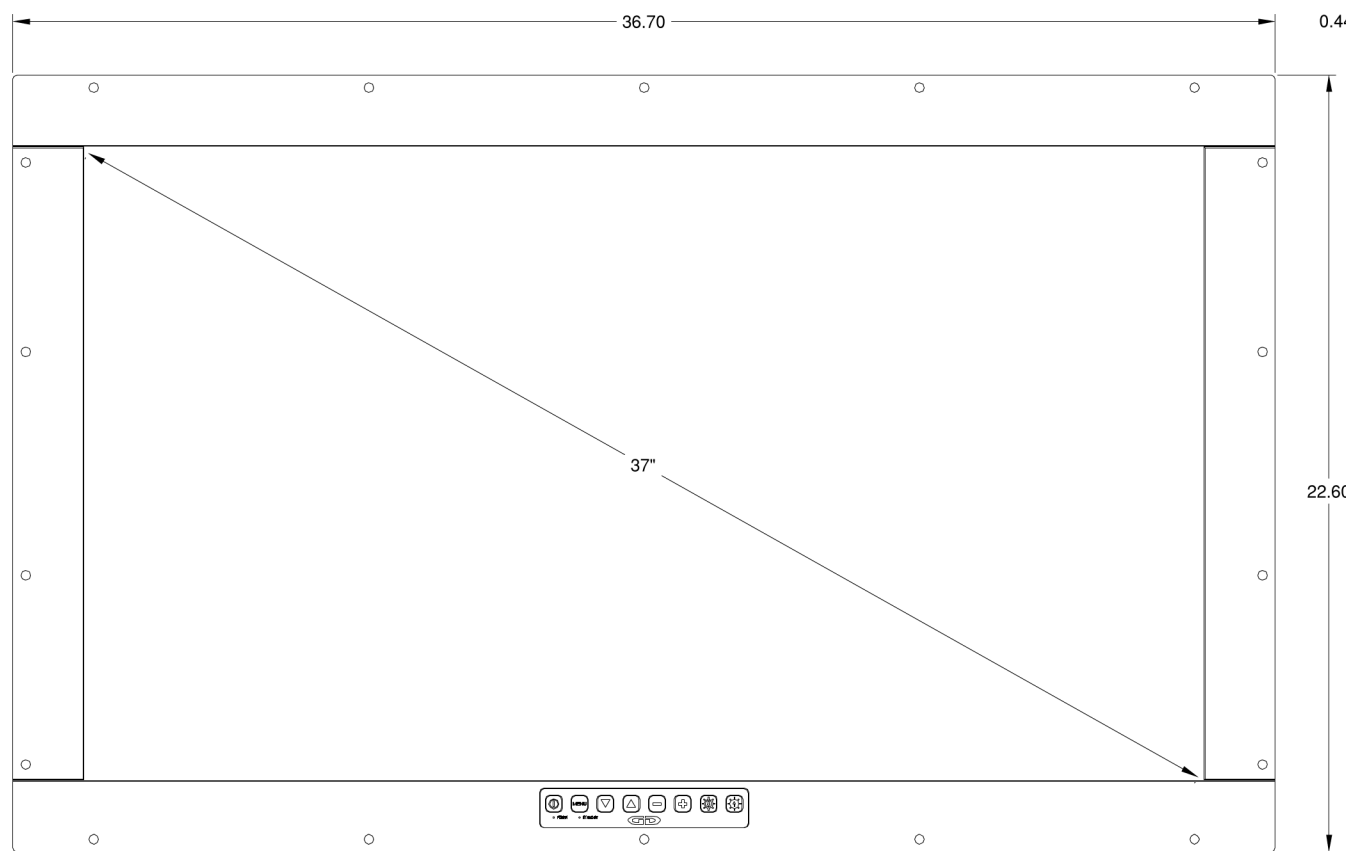
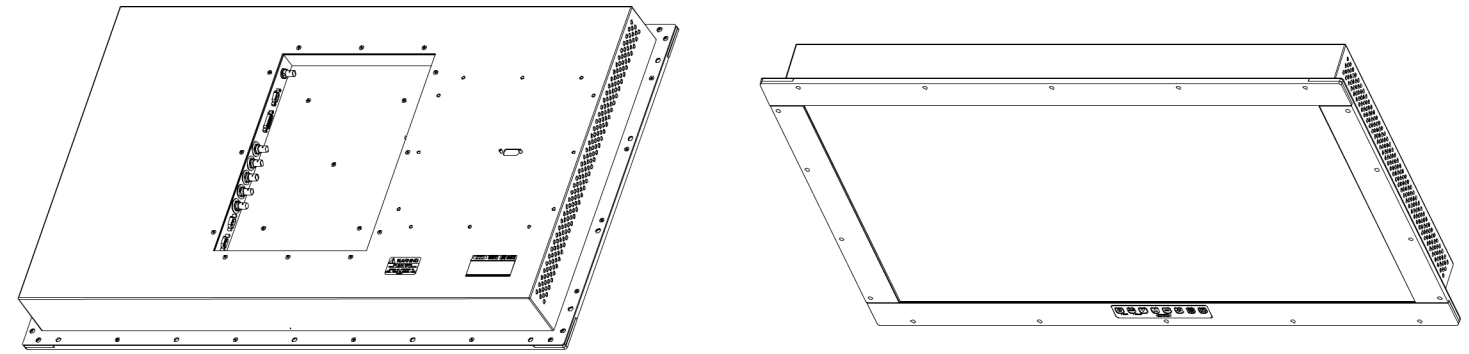
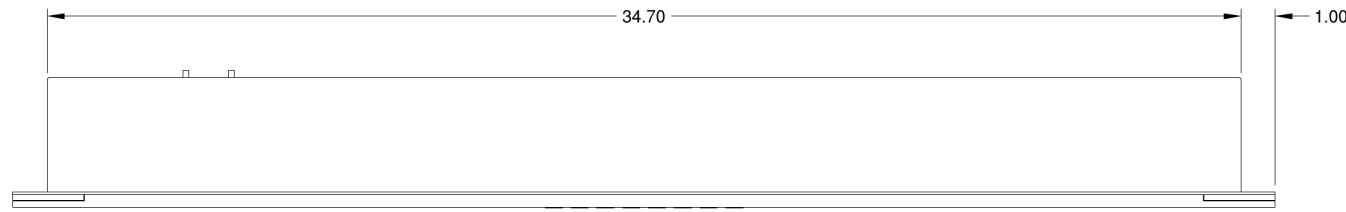


TP-37D-820-dd-00-14-gg-0094



UNLESS OTHERWISE SPECIFIED DIMENSIONS ARE IN INCHES TOLERANCES ARE:
 FRACTIONS DECIMALS ANGLES
 ±1/32 .X ±.050 ±0° 30'
 .XX ±.031
 .XXX±.020

CONNECTOR CHART		
DESIGNATION	FUNCTION	TYPE
CN1	COMPOSITE VIDEO INPUT	BNC JACK
CN2	ANALOG VIDEO INPUT	DE-15-S
CN3	DVI-D INPUT	DVI-D
CN4 *	SECONDARY ANALOG VIDEO INPUT	(5) BNC JACKS
CN5 *	SERIAL MAINTENANCE PORT	DE-9-P
CN6 *	EXTERNAL OSD CONTROL PORT	DE-15-P
CN7	+24VDC INPUT	DA-3W3-P

MECHANICAL OUTLINE ONLY. SPECIFICATIONS SUBJECT TO CHANGE WITHOUT NOTICE. U.O.S. ALL DIMENSIONS ARE IN INCHES.

APPROVALS		DATE
DRAWN	C.P.	19-May-08
CHECKED	T.R.	19-May-08
APPROVED	B.G.	19-May-08

DO NOT SCALE DRAWING

GENERAL DIGITAL
 The Innovators of Flat Panel Technology
 8 Nutmeg Road South, South Windsor, CT 06074
 (860) 282-2900 www.GeneralDigital.com

PANEL MOUNT INDUSTRIAL MONITOR
 37" WUXGA FLAT PANEL MONITOR

REV	DATE	ECN	DESCRIPTION	BY

B	CAGE CODE	DWG. NO.	REV
	1JA77	08-13	-