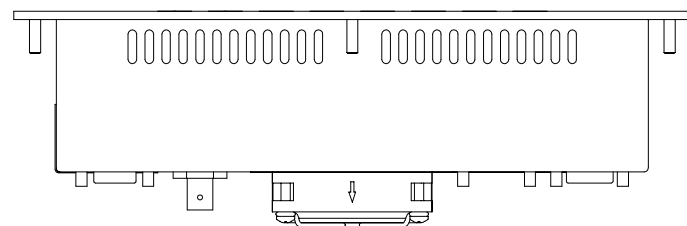
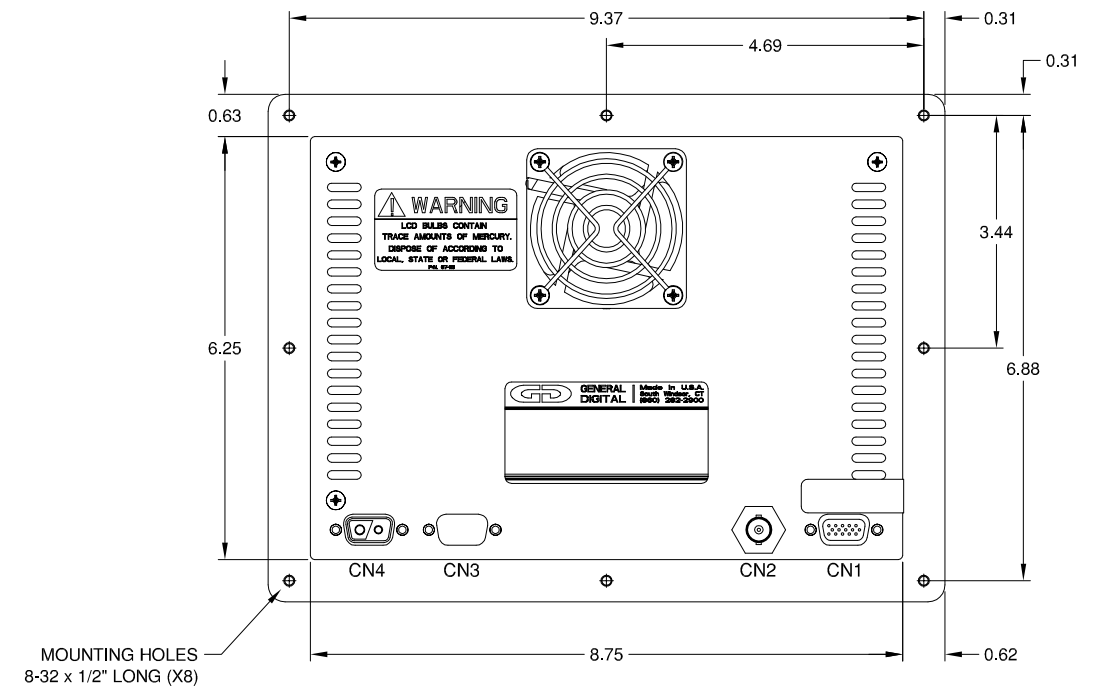
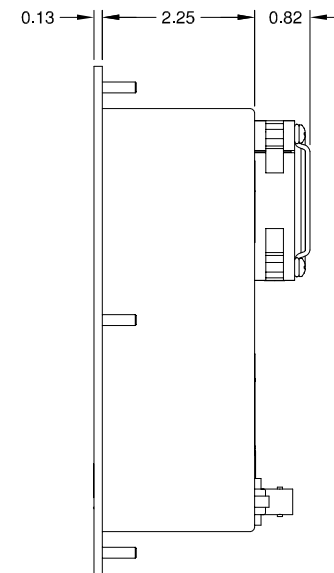
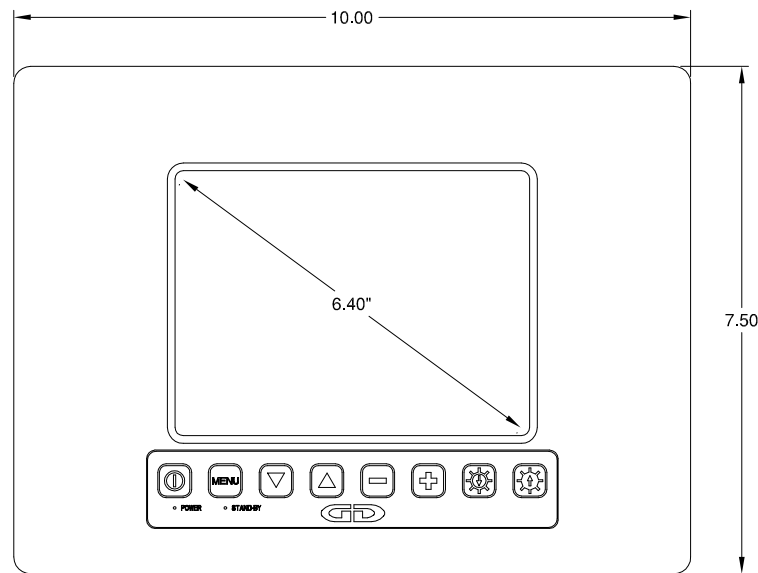
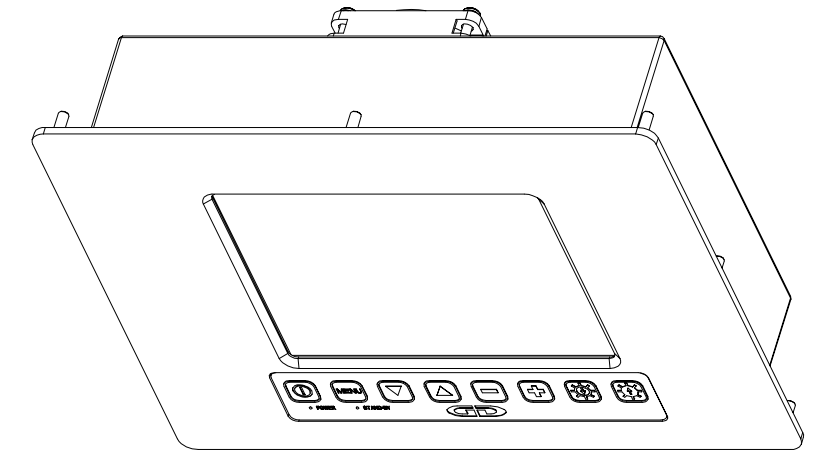
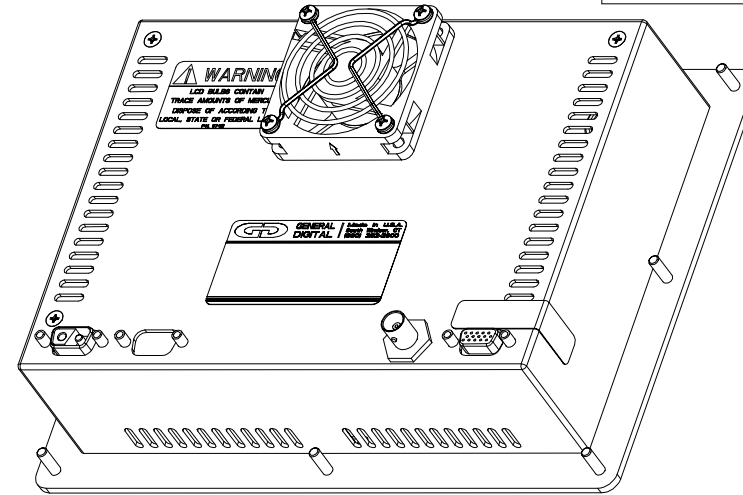
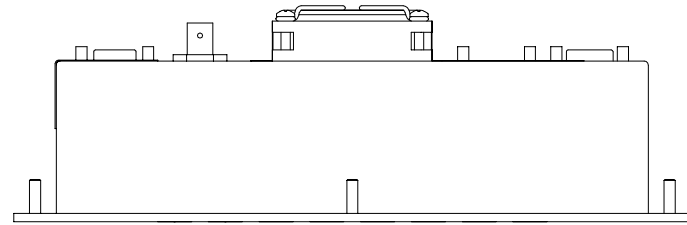


THIS DOCUMENT CONTAINS PROPRIETARY INFORMATION OF GENERAL DIGITAL AND IS NOT TO BE DISCLOSED, REPRODUCED OR PUBLISHED WITHOUT WRITTEN CONSENT FROM GENERAL DIGITAL. THIS DOCUMENT MUST BE RENDERED ILLEGIBLE WHEN BEING DISCARDED. © COPYRIGHT 2007. ALL RIGHTS RESERVED.

SPA-06V-900-36-00-01-gg-0092



UNLESS OTHERWISE SPECIFIED
DIMENSIONS ARE IN INCHES
TOLERANCES ARE:
FRACTIONS DECIMALS ANGLES
±1/32 .X ±.031 ±0° 30'
.XX ±.020

CONNECTOR CHART			MECHANICAL OUTLINE ONLY. SPECIFICATIONS SUBJECT TO CHANGE WITHOUT NOTICE. U.O.S. ALL DIMENSIONS ARE IN INCHES.	
DESIGNATION	FUNCTION	TYPE	APPROVALS	DATE
CN1	ANALOG VIDEO INPUT	DE-15-S	DRAWN	02-Jul-07
CN2	COMPOSITE VIDEO INPUT	BNC STYLE	CHECKED	02-Jul-07
CN3	SERIAL INPUT (OPTIONAL)	DE-9-S	T.R.	02-Jul-07
CN4	+12 VDC INPUT	DE-2W2-P	APPROVED	02-Jul-07
			B.G.	
DO NOT SCALE DRAWING				



The Innovators of Flat Panel Technology
8 Nutmeg Road South, South Windsor, CT 06074
(860) 282-2900 www.GeneralDigital.com

**SUNLIGHT READABLE PANEL MOUNT MONITOR
6.4" VGA FLAT PANEL MONITOR**

B	CAGE CODE	DWG. NO.	REV
	1JA77	07-13	-