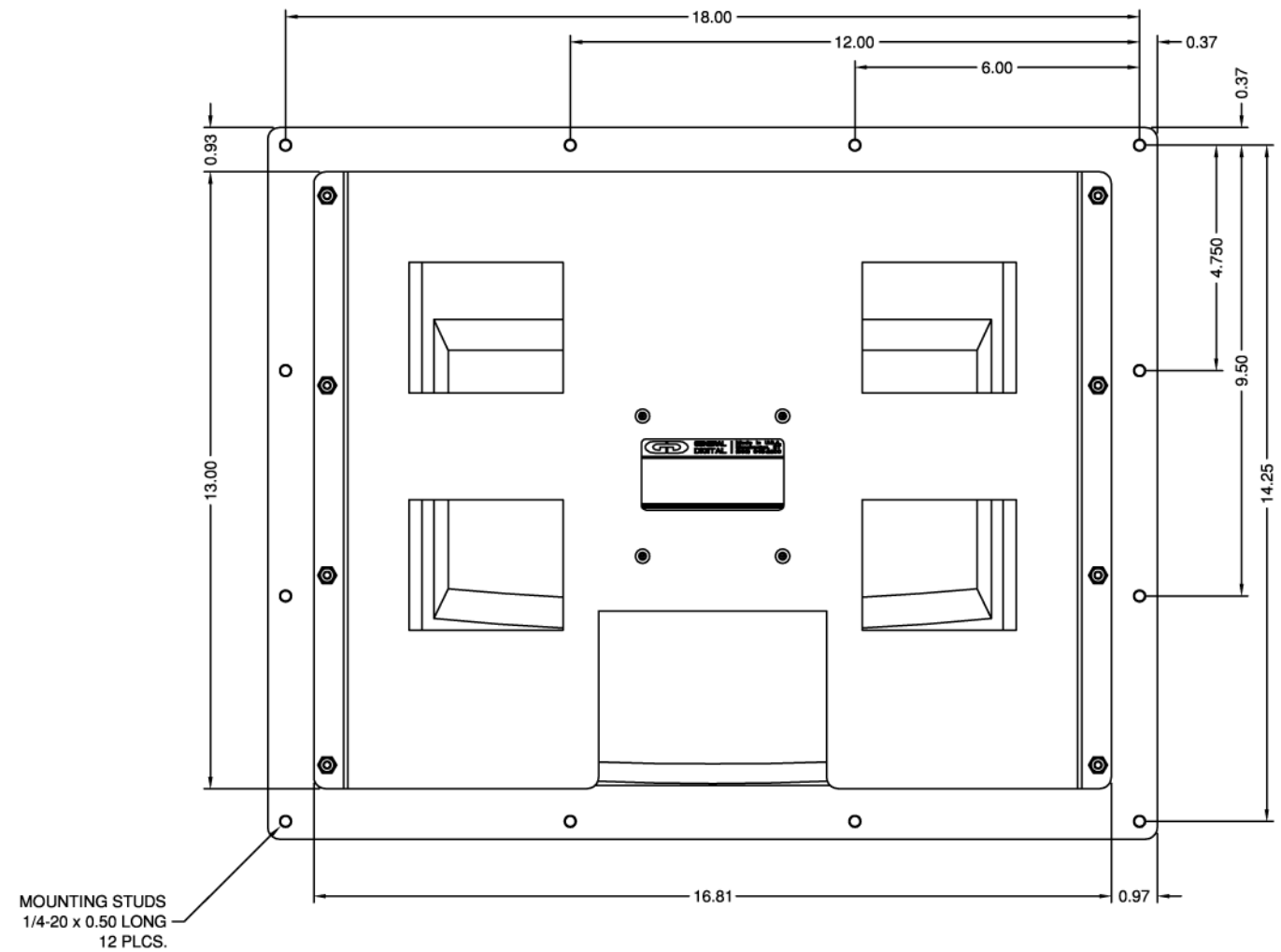
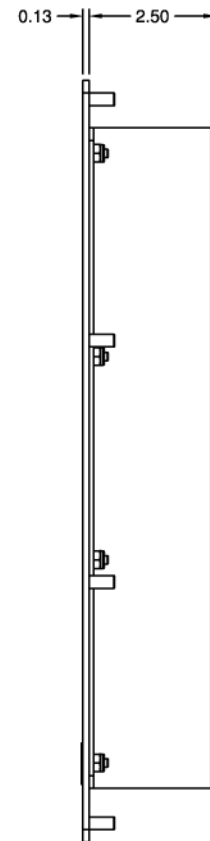
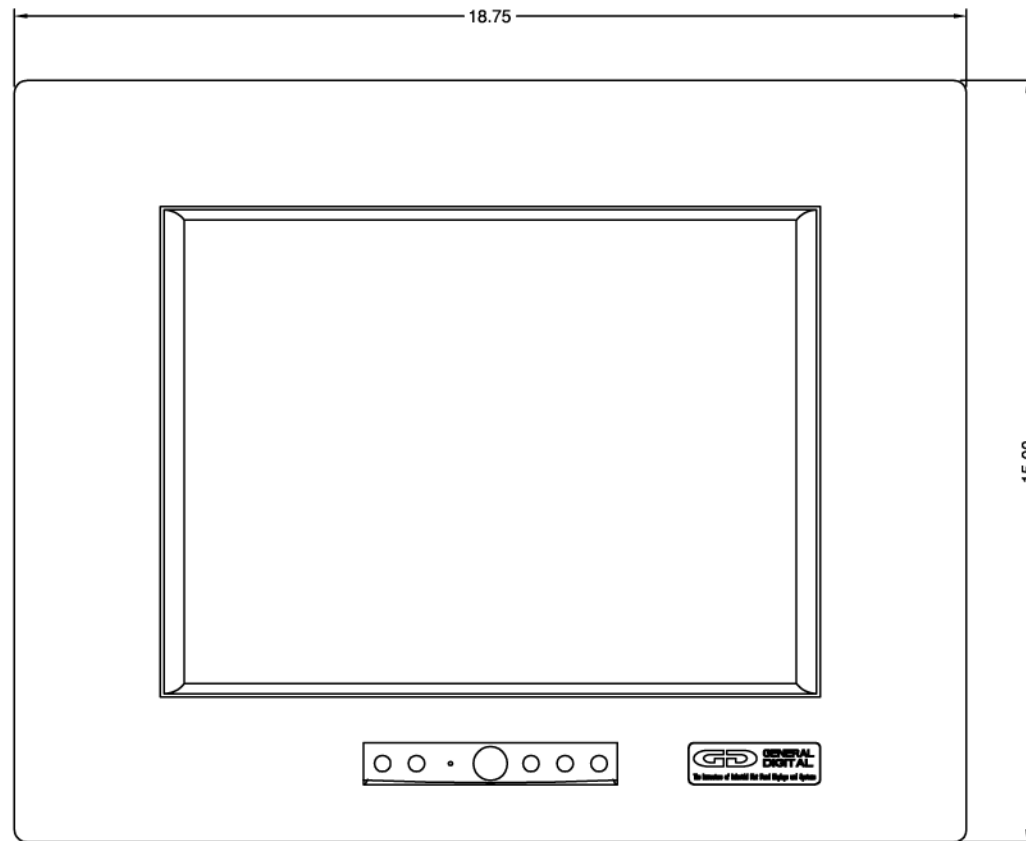
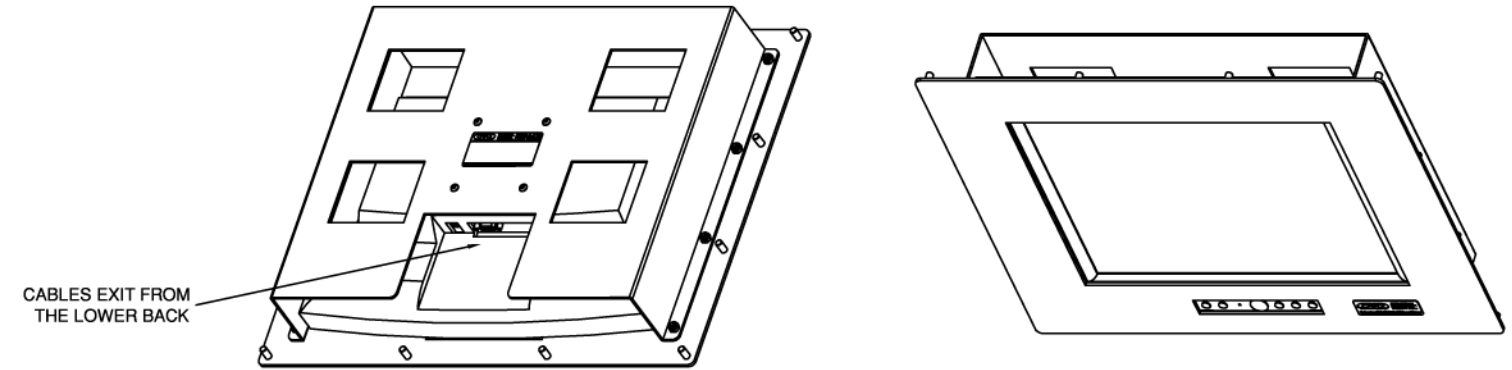
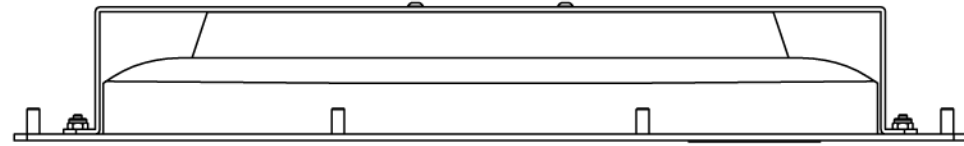



THIS DOCUMENT CONTAINS PROPRIETARY INFORMATION OF GENERAL DIGITAL AND IS NOT TO BE DISCLOSED, REPRODUCED OR PUBLISHED WITHOUT WRITTEN CONSENT FROM GENERAL DIGITAL. THIS DOCUMENT MUST BE RENDERED ILLEGIBLE WHEN BEING DISCARDED. © COPYRIGHT 2002. ALL RIGHTS RESERVED.

# PanelPal 151



MECHANICAL OUTLINE ONLY SPECIFICATIONS SUBJECT TO CHANGE WITHOUT NOTICE		 <b>GENERAL DIGITAL</b> <i>The Innovators of Flat Panel Displays and Systems</i> 8 Nutmeg Road South, South Windsor, CT. 06074 (860) 282-2900 <a href="http://www.GenDig.com">www.GenDig.com</a>		
APPROVALS	DATE			
DRAWN	C.P.	11-Oct-00	RGB PanelPal 15.1" XGA FLAT PANEL MONITOR	
CHECKED	T.R.	11-Oct-00		
APPROVED	B.G.	11-Oct-00		
DO NOT SCALE DRAWING		<b>B</b> CAGE CODE 1JA77	DWG. NO. 00-44	REV A