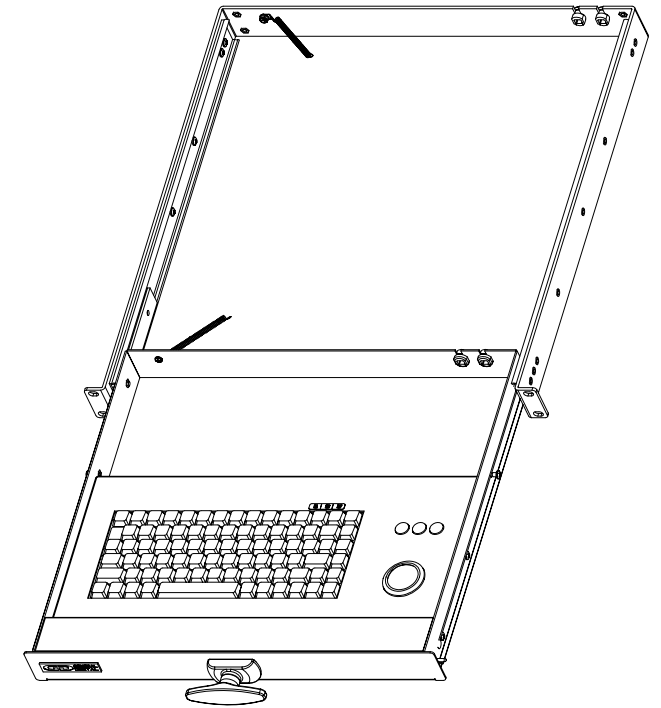
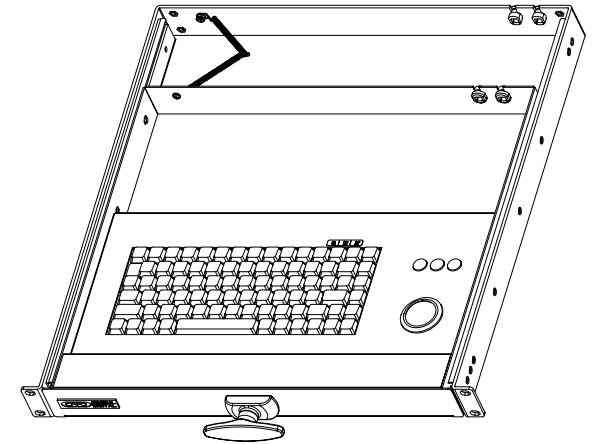
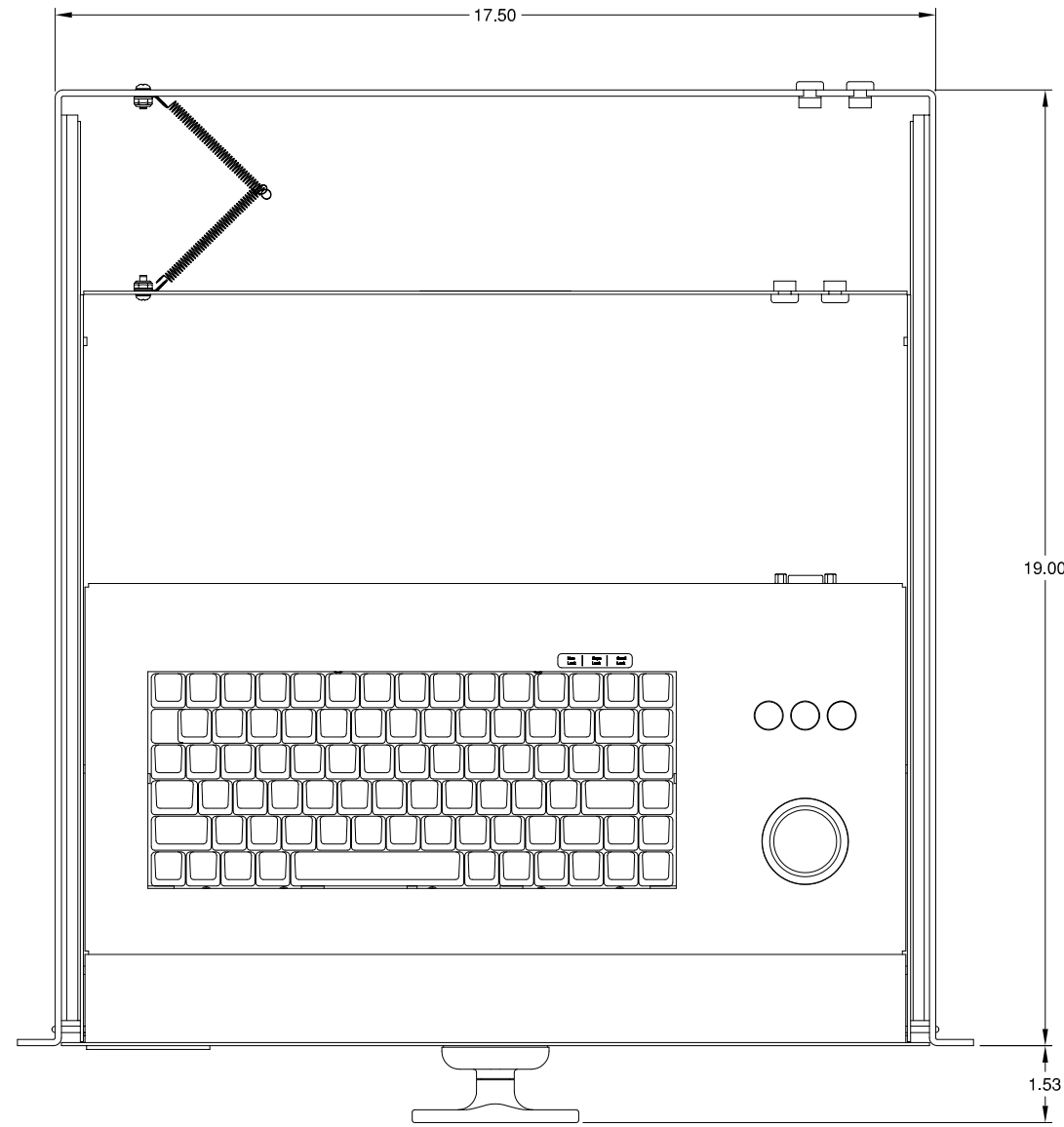
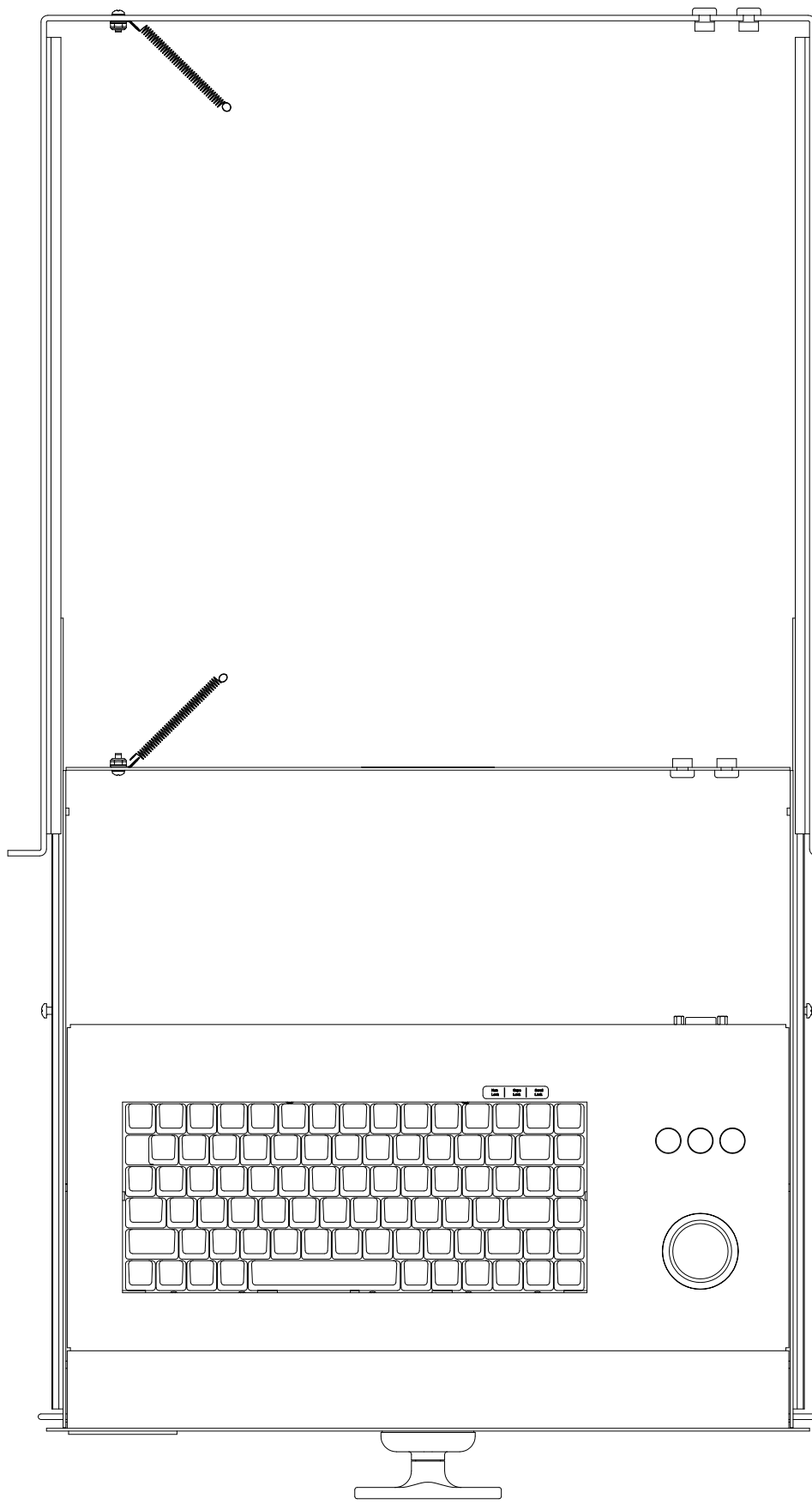
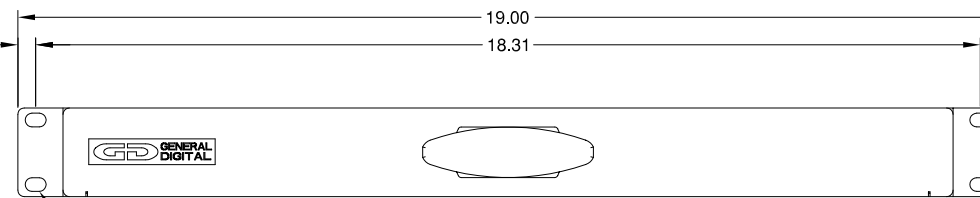


RK83-TBI-THDL



13.00

0.34



MOUNTING HOLES (X4)
0.27 x 0.41 OBROUND

THIS DOCUMENT CONTAINS PROPRIETARY INFORMATION OF GENERAL DIGITAL AND IS NOT TO BE DISCLOSED, REPRODUCED OR PUBLISHED WITHOUT WRITTEN CONSENT FROM GENERAL DIGITAL. THIS DOCUMENT MUST BE RENDERED ILLEGIBLE WHEN BEING DISCARDED. © COPYRIGHT 2008. ALL RIGHTS RESERVED.

UNLESS OTHERWISE SPECIFIED DIMENSIONS ARE IN INCHES
TOLERANCES ARE:
FRACTIONS DECIMALS ANGLES
±1/32 .X ±.050 ±0° 30'
.XX ±.031
.XXX±.020

CONNECTOR CHART

| DESIGNATION | FUNCTION | TYPE |
|-------------|---------------------------|----------------|
| CN1 | KEYBOARD INPUT - (PURPLE) | 6-PIN MINI DIN |
| CN2 | TRACKBALL INPUT - (GREEN) | 6-PIN MINI DIN |

MECHANICAL OUTLINE ONLY. SPECIFICATIONS SUBJECT TO CHANGE WITHOUT NOTICE. U.O.S. ALL DIMENSIONS ARE IN INCHES.

| APPROVALS | | DATE |
|-----------|------|-----------|
| DRAWN | C.P. | 25-Nov-08 |
| CHECKED | T.R. | 25-Nov-08 |
| APPROVED | B.G. | 25-Nov-08 |

DO NOT SCALE DRAWING



The Innovators of Flat Panel Technology
8 Nutmeg Road South, South Windsor, CT 06074
(860) 282-2900 www.GeneralDigital.com

19" RACK MOUNT KEYBOARD
1U RACK MOUNT DRAWER - 18" DEEP

B

CAGE CODE
1JA77

DWG. NO.
08-25

REV
-

| REV | DATE | ECN | DESCRIPTION | BY |
|-----|------|-----|-------------|----|
| | | | | |