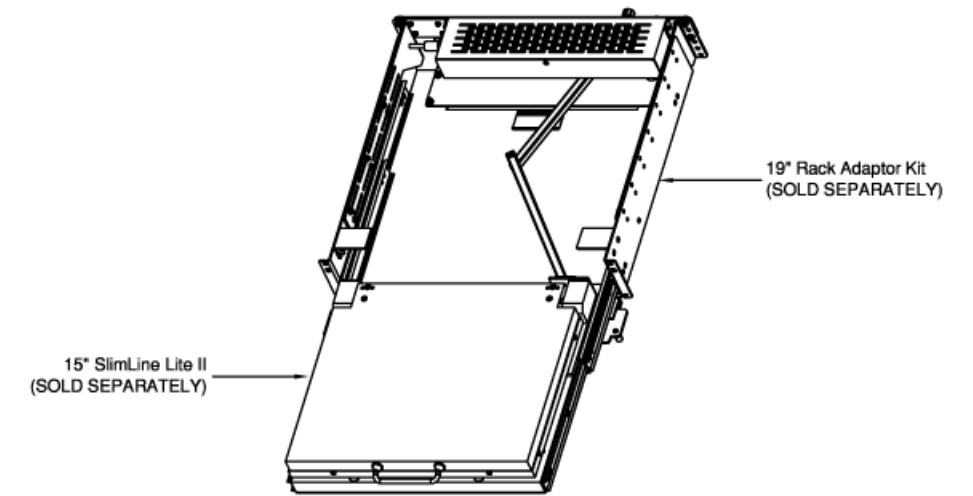
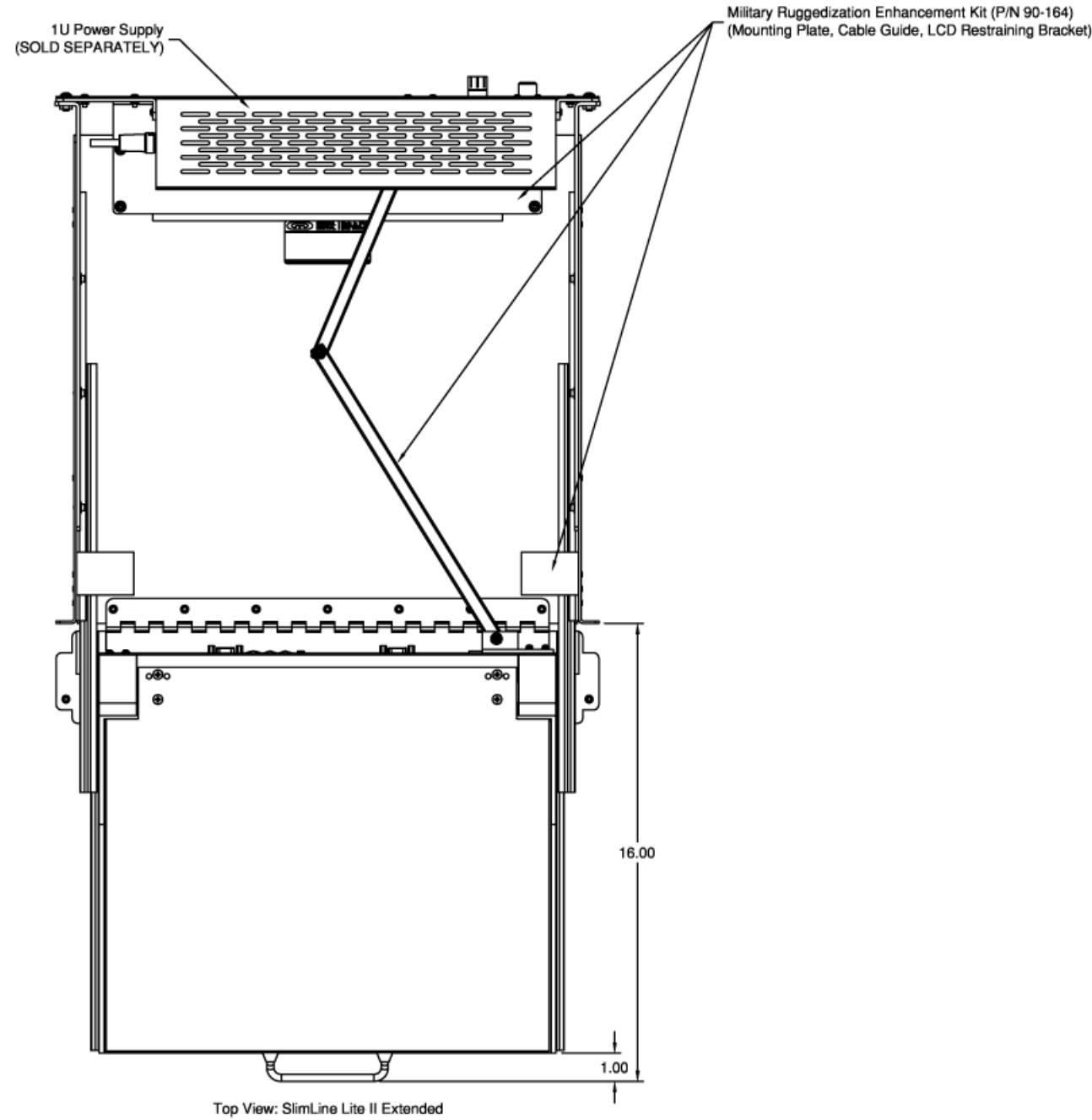


THIS DOCUMENT CONTAINS PROPRIETARY INFORMATION OF GENERAL DIGITAL AND IS NOT TO BE DISCLOSED, REPRODUCED OR PUBLISHED WITHOUT WRITTEN CONSENT FROM GENERAL DIGITAL. THIS DOCUMENT MUST BE RENDERED ILLEGIBLE WHEN BEING DISCARDED. © COPYRIGHT 2002. ALL RIGHTS RESERVED.

90-164



MECHANICAL OUTLINE ONLY SPECIFICATIONS SUBJECT TO CHANGE WITHOUT NOTICE	
APPROVALS	DATE
DRAWN C.P.	09-Jan-02
CHECKED T.R.	09-Jan-02
APPROVED B.G.	09-Jan-02
DO NOT SCALE DRAWING	

GD GENERAL DIGITAL
The Innovators of Flat Panel Displays and Systems
 8 Nutmeg Road South, South Windsor, CT. 06074
 (860) 282-2900 www.GenDig.com

SlimLine Lite II - 15"
 Military Ruggedization Enhancement Kit

B	CAGE CODE	DWG. NO.	REV
	1JA77	02-03	B