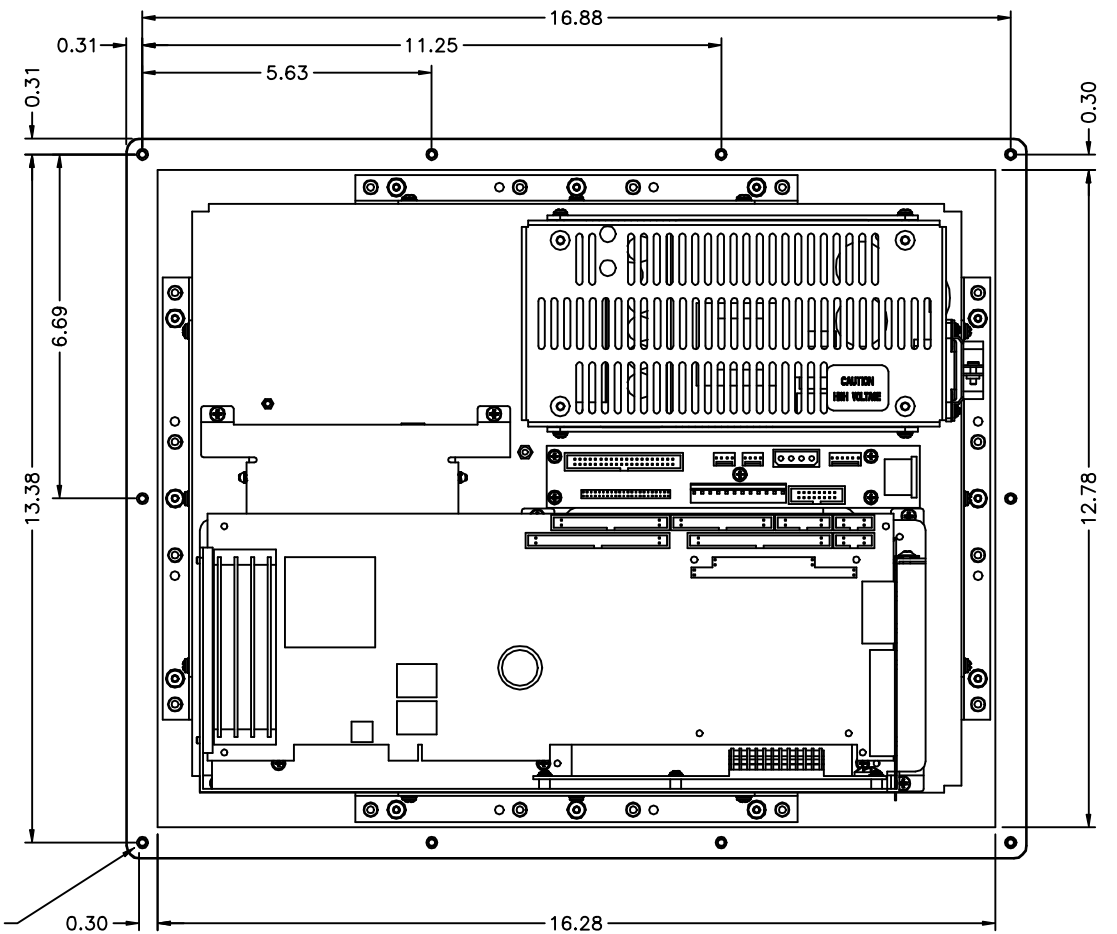
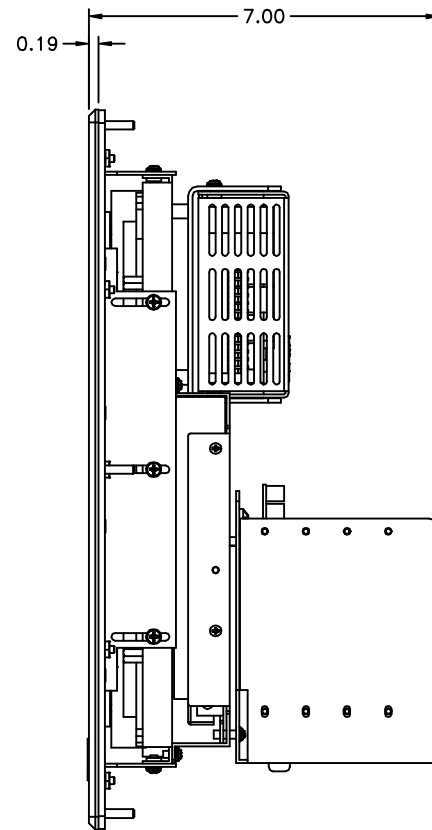
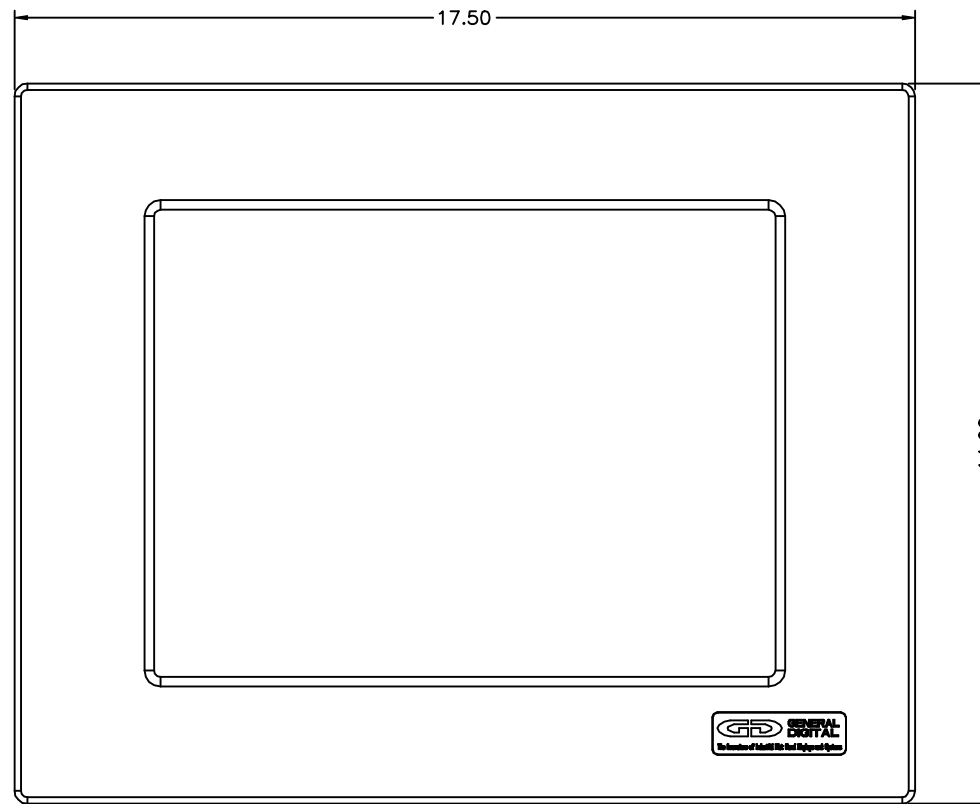
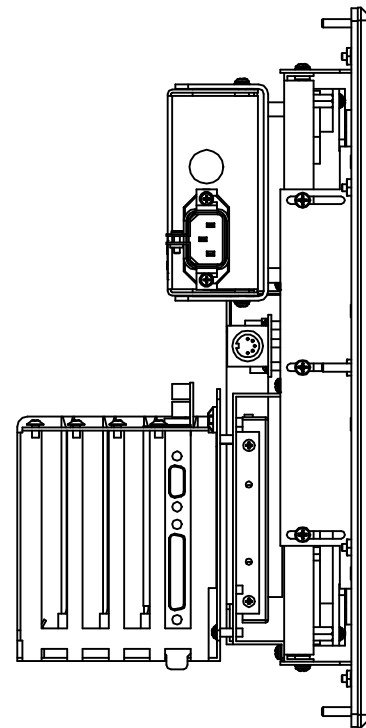
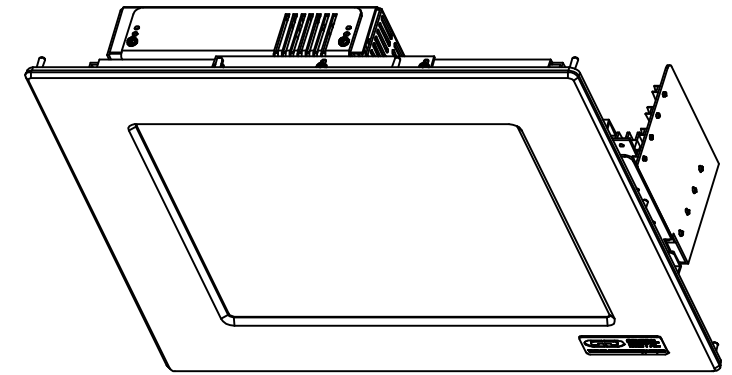
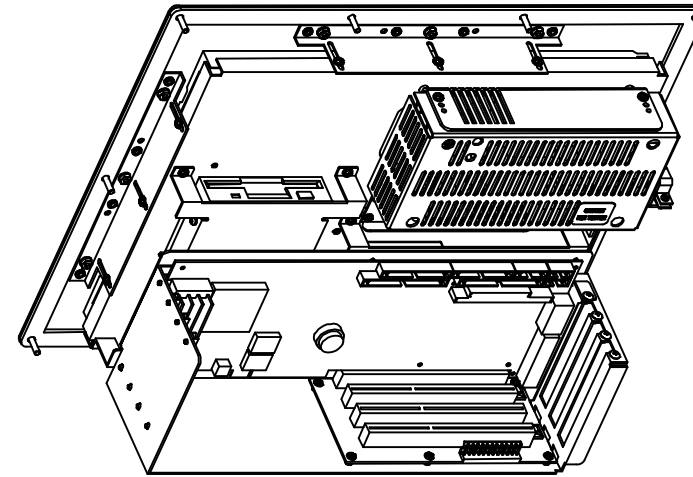
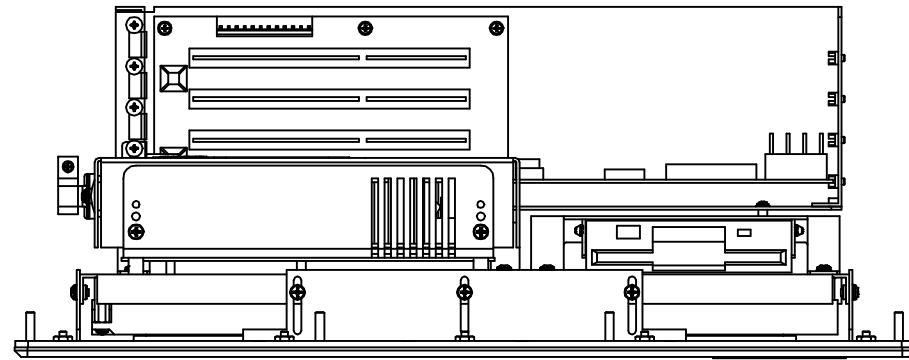


THIS DOCUMENT CONTAINS PROPRIETARY INFORMATION OF GENERAL DIGITAL AND IS NOT TO BE DISCLOSED, REPRODUCED OR PUBLISHED WITHOUT WRITTEN CONSENT FROM GENERAL DIGITAL. THIS DOCUMENT MUST BE RENDERED ILLEGIBLE WHEN BEING DISCARDED. © COPYRIGHT 1999. ALL RIGHTS RESERVED.

GEN-PAK 15.1



MOUNTING STUDS
8-32 x 5/8" LONG
1- PLCS.

MECHANICAL OUTLINE ONLY
SPECIFICATIONS SUBJECT TO
CHANGE WITHOUT NOTICE

APPROVALS	DATE
DRAWN C.P.	22-Jul-99
CHECKED T.B.	22-Jul-99
APPROVED B.G.	22-Jul-99
DO NOT SCALE DRAWING	

GD GENERAL DIGITAL

The Innovators of Flat Panel Displays and Systems
160 Chapel Road, Manchester CT 06040
(860) 645-2200 www.GenDig.com (860) 645-2201

GEN-PAK PANELMOUNT
15.1" XGA LCD COMPUTER

B	CAGE CODE	DWG. NO.	REV
	1JA77	GEN-PAK 15.1	-