

(X) OPTION	UNIT DESCRIPTION
-	TWOVIEW
D	TWOVIEW DAYLIGHT READABLE
S	TWOVIEW SOLAR
SN	TWOVIEW 1U SOLAR/NVIS

(X)TV-19W-cccc-ddd-ee-10-gg-0092-000

TABLE 1: POPULAR KEYBOARD CONFIGURATIONS

(ee) OPTION	KEYBOARD DESCRIPTION
51	82 KEYS, PS/2, INDUSTRIAL, WHITE KEYCAPS, 1 3/8" TRACKBALL
64	82 KEYS, IBM [PC] USB, INDUSTRIAL, BLACK KEYCAPS, 1 3/8" TRACKBALL
55	82 KEYS, PS/2, MILITARY, BLACK KEYCAPS, RED BACKLIGHT, 1 3/8" TRACKBALL
58	82 KEYS, IBM [PC] USB, MILITARY, BLACK KEYCAPS, RED BACKLIGHT, 1 3/8" TRACKBALL

TABLE 3: OVERLAY OPTIONS

(gg) OPTION	DESCRIPTION
02	CLEAR SODA-LIME FLOAT GLASS, ANTIGLARE TWO SIDES
04	CLEAR SODA-LIME FLOAT GLASS, ANTIREFLECTIVE TWO SIDES

SEE TABLE 1 FOR POPULAR KEYBOARD (ee) CONFIGURATIONS

SEE TABLE 3 FOR POPULAR OVERLAY OPTIONS

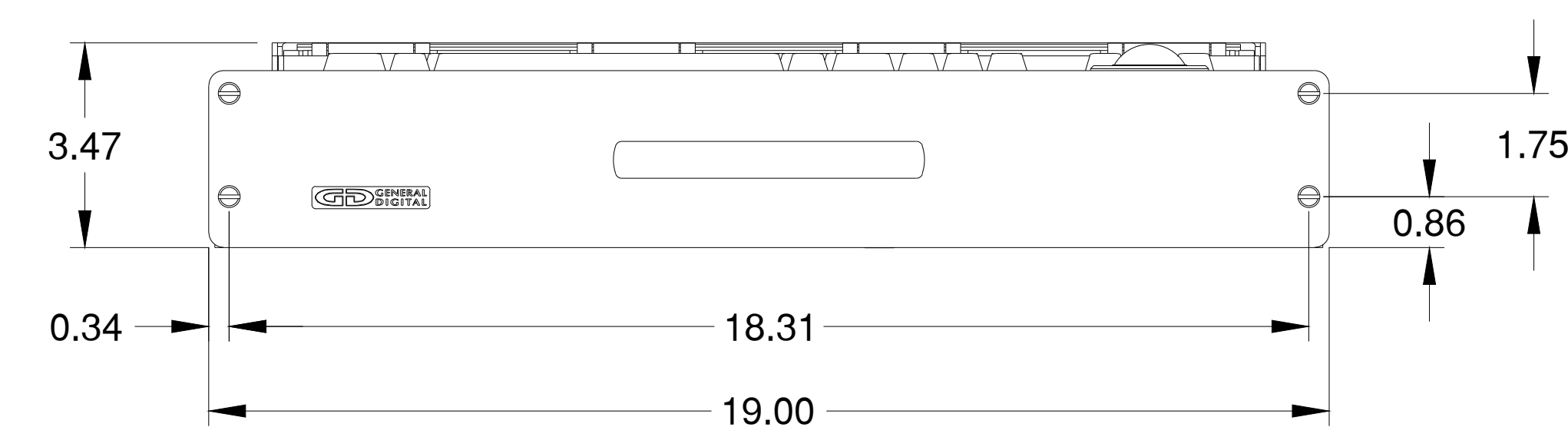
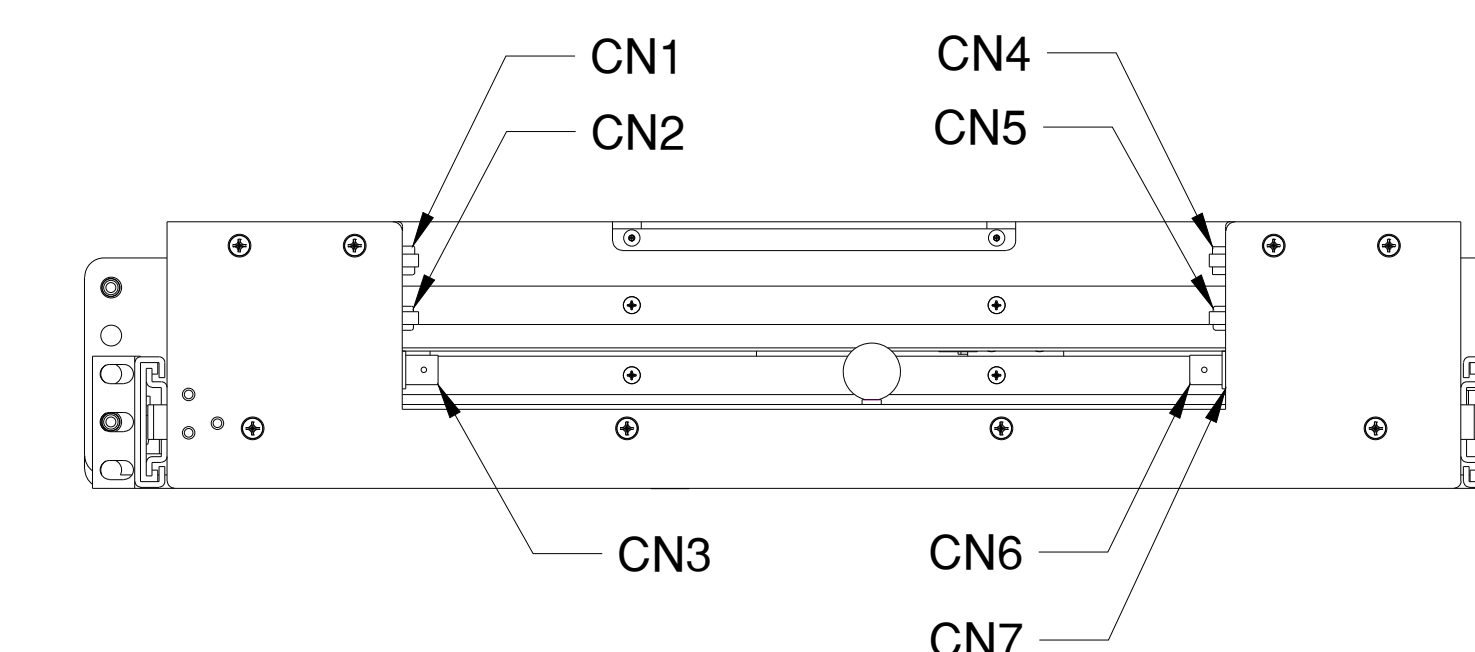
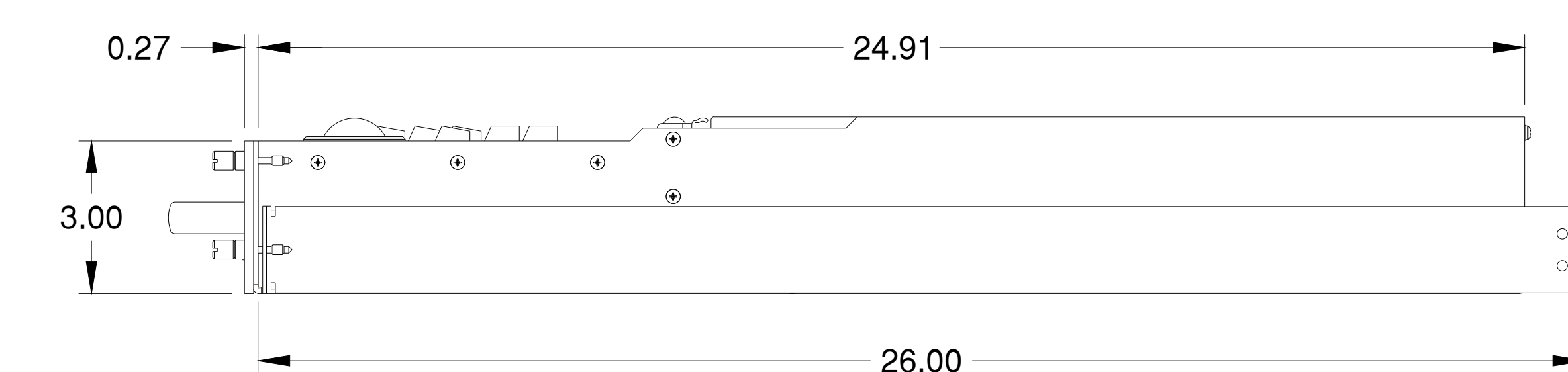
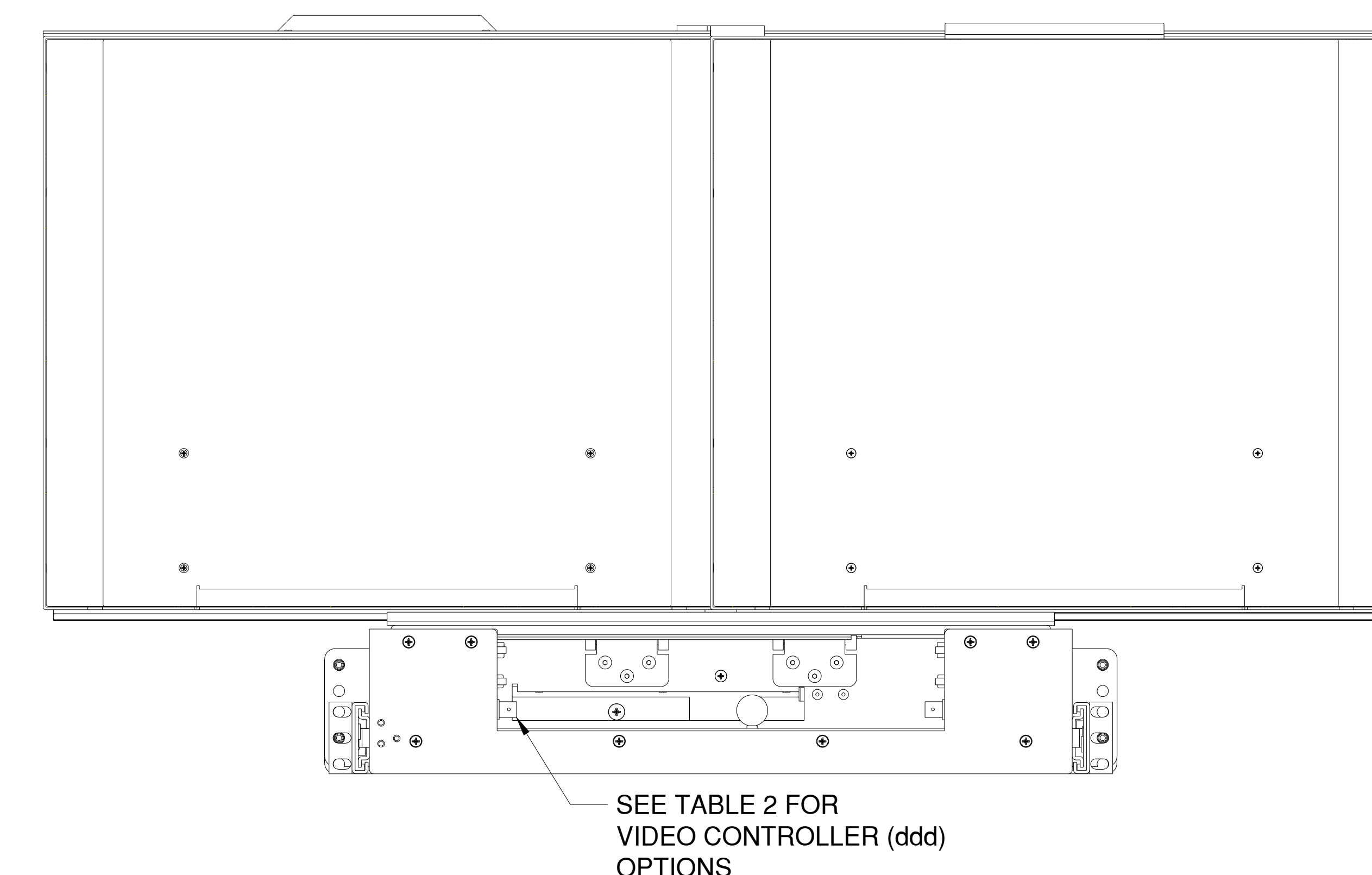
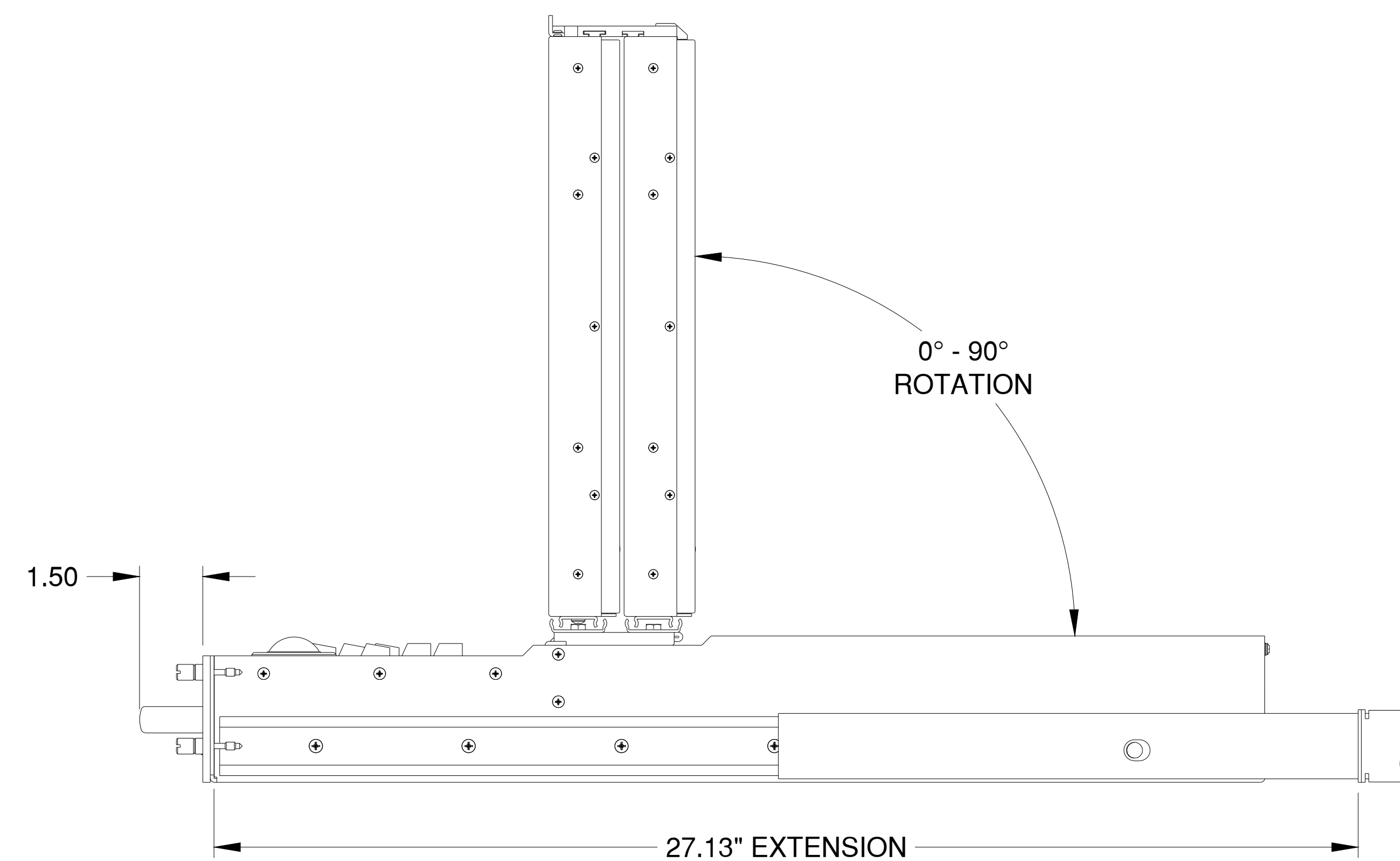
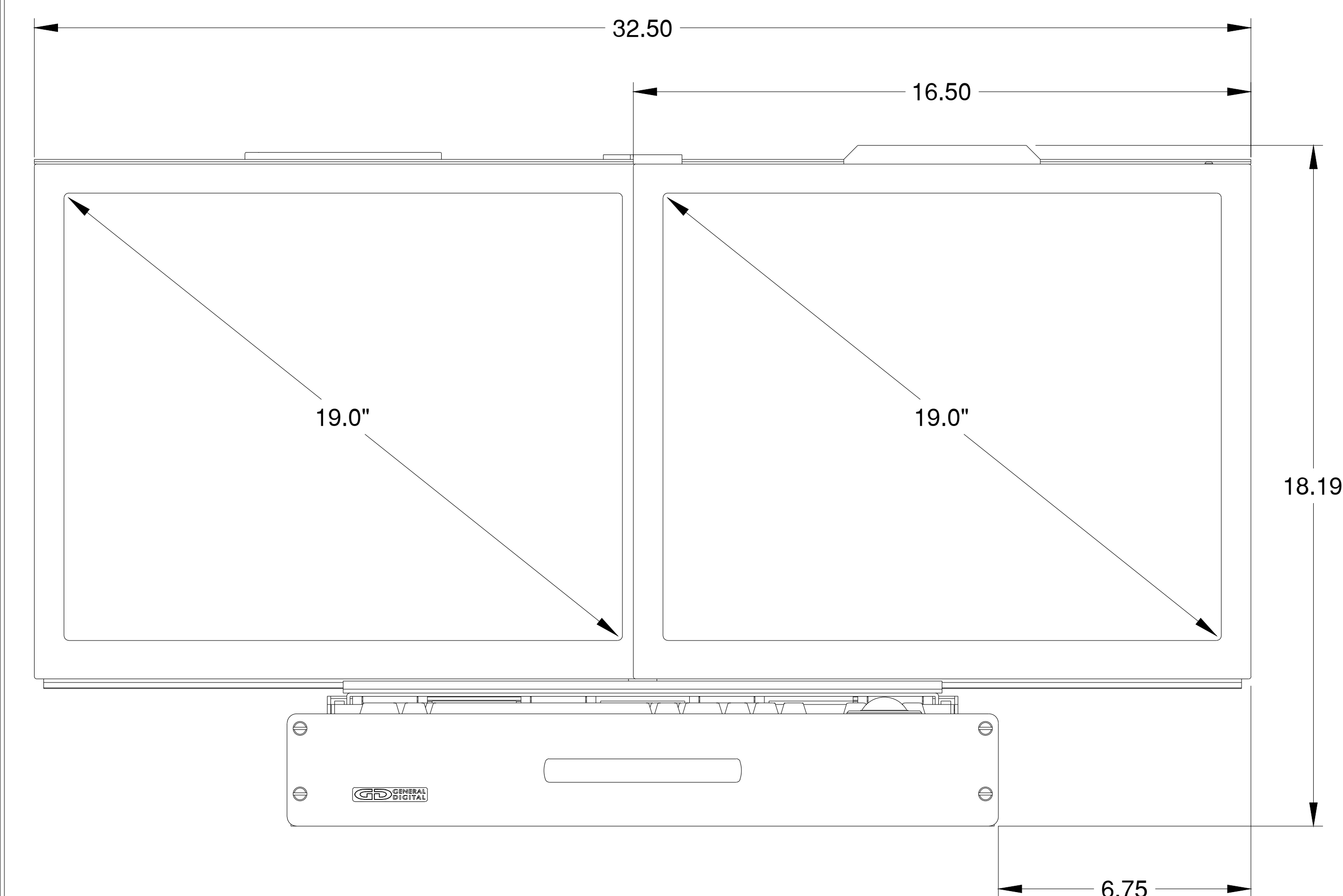
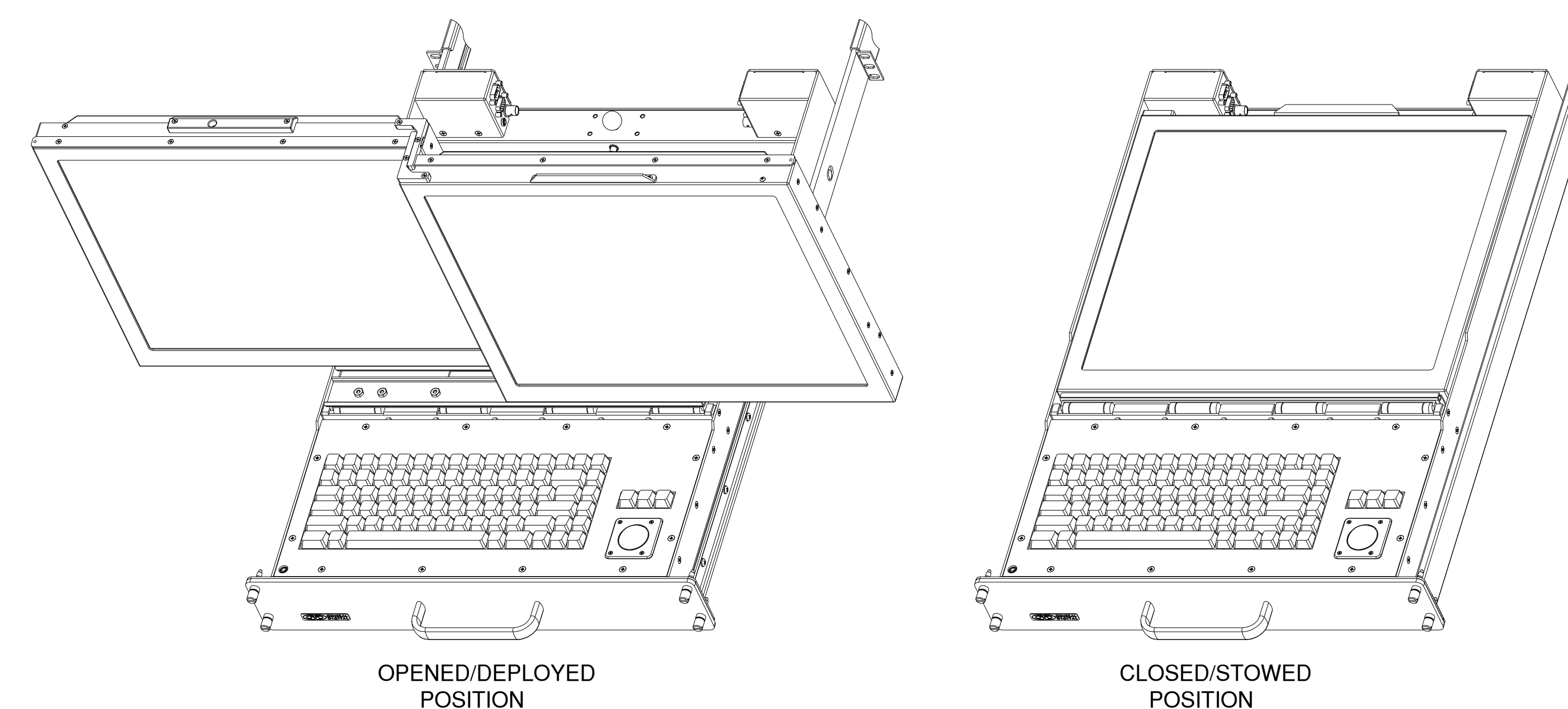
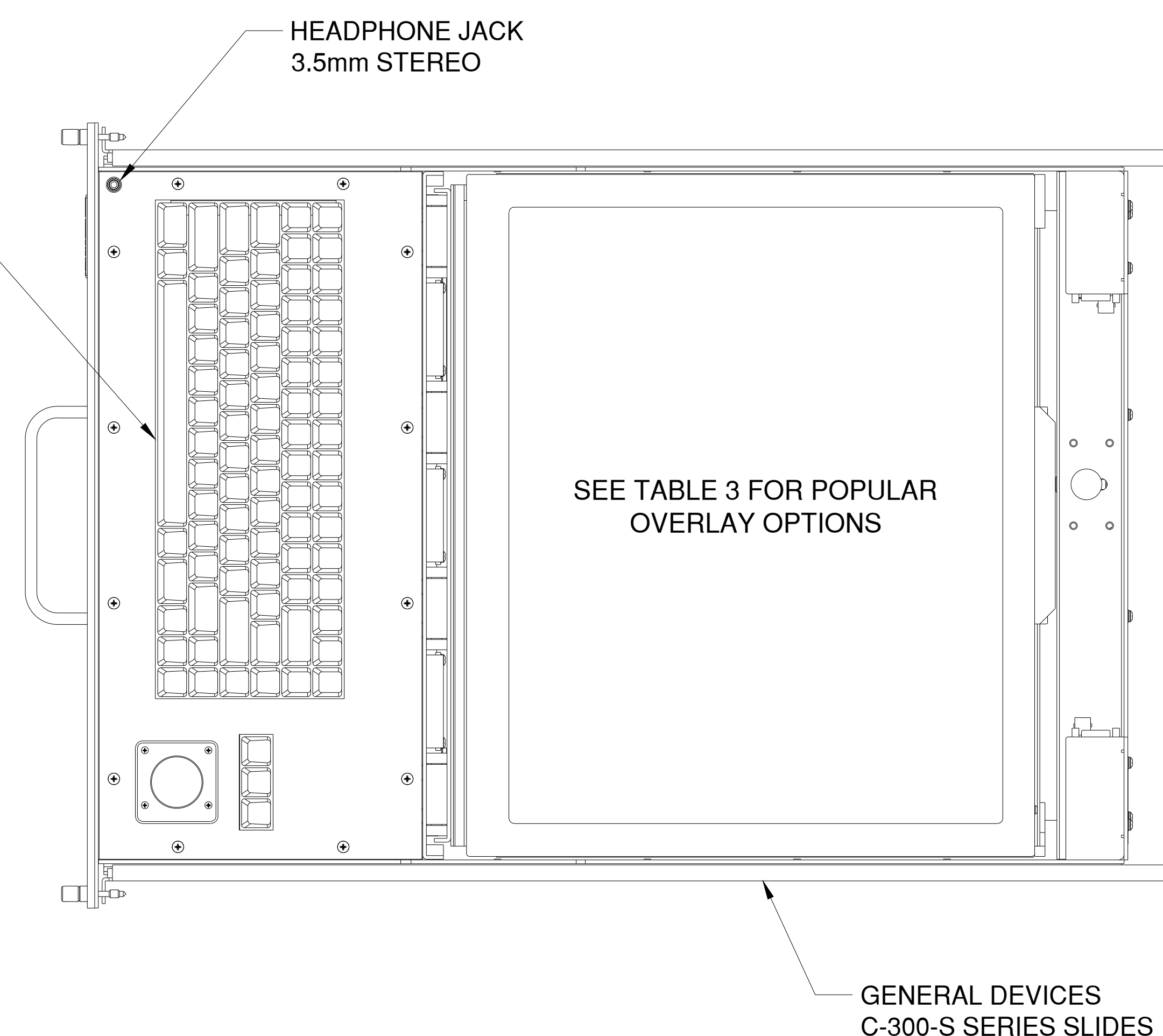


TABLE 2: VIDEO CONTROLLER CONFIGURATIONS

(ddd) OPTION	RESOLUTION	INPUT SIGNALS	EDGE CONNECTORS
107	1920 x 1200 (75 Hz)	VGA, DVI-D, COMPOSITE	VGA, DVI-D, COMPOSITE
115	1920 x 1200 (60 Hz)	VGA, DVI-D, NTSC	VGA, DVI-D, NTSC

THIS DOCUMENT CONTAINS PROPRIETARY INFORMATION OF GENERAL DIGITAL AND IS NOT TO BE DISCLOSED, REPRODUCED OR PUBLISHED WITHOUT WRITTEN CONSENT FROM GENERAL DIGITAL. THIS DOCUMENT MUST BE RENDERED ILLEGIBLE WHEN BEING DISCARDED. © COPYRIGHT 2012. ALL RIGHTS RESERVED.

UNLESS OTHERWISE SPECIFIED DIMENSIONS ARE IN INCHES
TOLERANCES ARE:
FRACTIONS DECIMALS ANGLES
±1/32 .X ±.050 ±0° 30'
.XX ±.031
.XXX ±.020

CONNECTOR CHART		
DESIGNATION	FUNCTION	TYPE
CN1	+12 VDC INPUT	DE-2W2-P
CN2, CN5	ANALOG VIDEO INPUT	DE-9-S
CN3, CN6	COMPOSITE VIDEO INPUT	BNC STYLE
CN4	KEYBOARD/TRACKBALL	DE-9-P
CN7	AUDIO INPUT	3.5mm STEREO JACK

**DIFFERENT CONNECTOR PANEL CONFIGURATIONS AVAILABLE.

MECHANICAL OUTLINE ONLY. SPECIFICATIONS SUBJECT TO CHANGE WITHOUT NOTICE. U.O.S. ALL DIMENSIONS ARE IN INCHES.

APPROVALS		DATE
DRAWN	G.L.	09-Oct-14
CHECKED	T.R.	
APPROVED	B.G.	

GD GENERAL DIGITAL

The Innovators of Flat Panel Technology
8 Nutmeg Road South, South Windsor, CT 06074
(860) 282-2900 www.GeneralDigital.com

TWOVIEW
19.0" SXGA MONITOR/KEYBOARD

REV	DATE	ECN	DESCRIPTION	BY

B	CAGE CODE	DWG. NO.	REV
	1JA77	14-106	-

DO NOT SCALE DRAWING