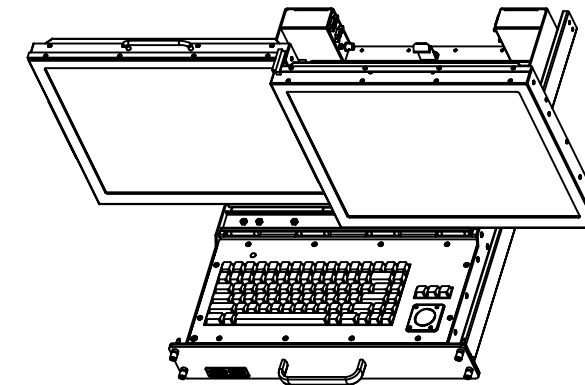
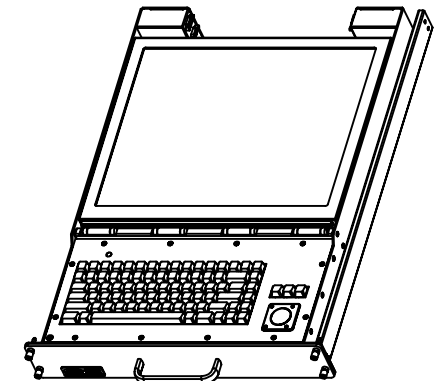


THIS DOCUMENT CONTAINS PROPRIETARY INFORMATION OF GENERAL DIGITAL AND IS NOT TO BE DISCLOSED, REPRODUCED OR PUBLISHED WITHOUT WRITTEN CONSENT FROM GENERAL DIGITAL. THIS DOCUMENT MUST BE RENDERED ILLEGIBLE WHEN BEING DISCARDED. © COPYRIGHT 2006. ALL RIGHTS RESERVED.

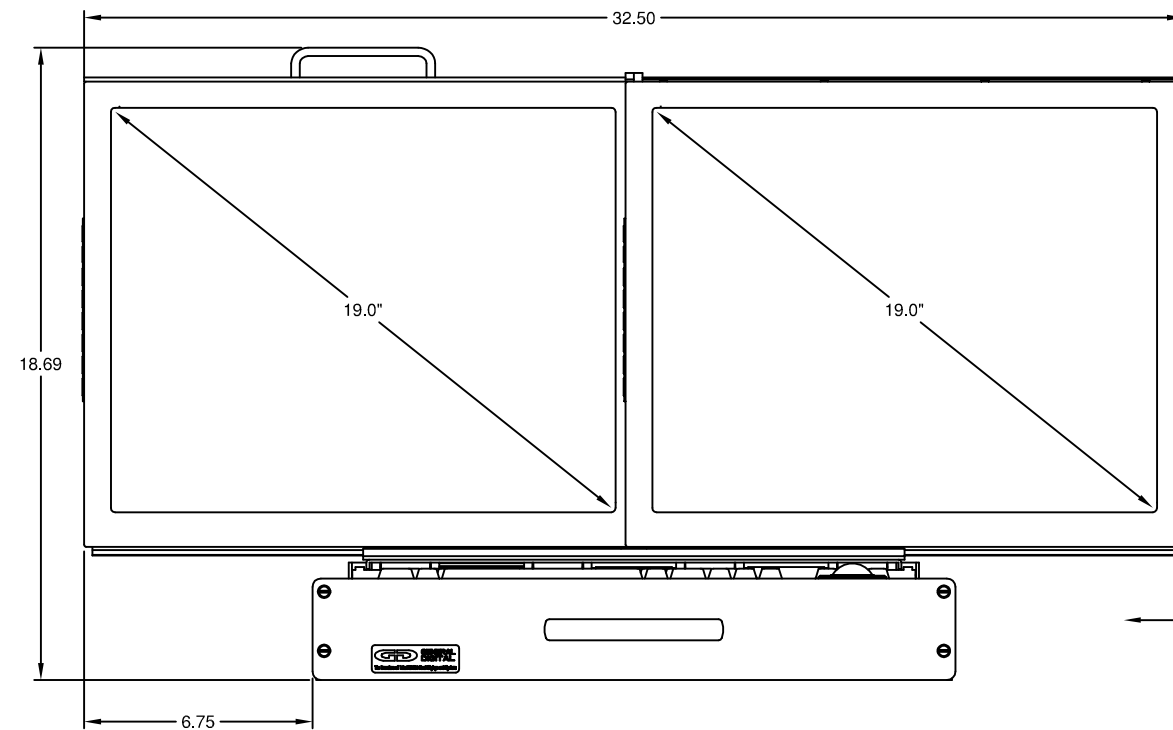
TV-19W-702-08-55-10-02-0092



OPEN/DEPLOYED POSITION

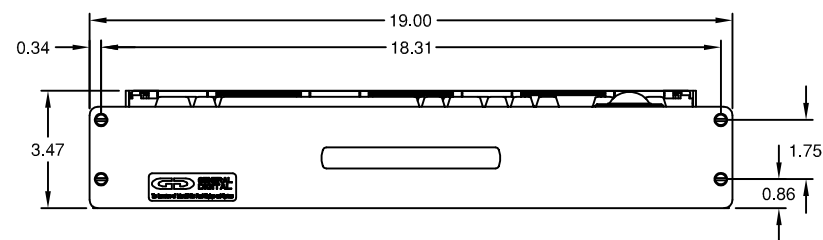
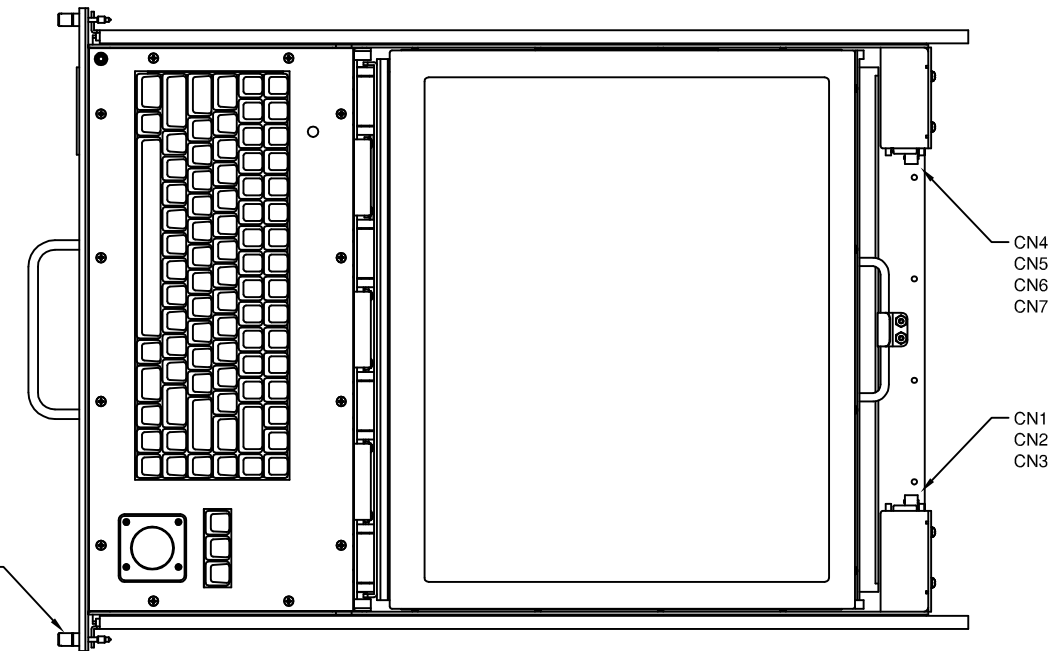


CLOSED/STOWED POSITION

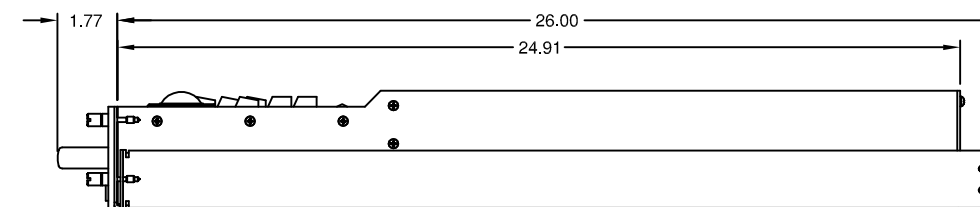


OPEN/DEPLOYED POSITION

MOUNTING HARDWARE
10-32 x 1.13" LONG 4X



CLOSED/STOWED POSITION



CONNECTOR CHART

DESIGNATION	FUNCTION	TYPE	MECHANICAL OUTLINE ONLY. SPECIFICATIONS SUBJECT TO CHANGE WITHOUT NOTICE. U.O.S. ALL DIMENSIONS ARE IN INCHES.	
CN1	+12 VDC INPUT	DE-2W2-P	APPROVALS	DATE
CN2, CN5	ANALOG VIDEO INPUT	DE-15-S	DRAWN C.P.	15-May-06
CN3, CN6	COMPOSITE VIDEO INPUT	BNC STYLE	CHECKED T.R.	15-May-06
CN4	SERIAL INPUT	DE-9-S	APPROVED B.G.	15-May-06
CN7	AUDIO INPUT (OPTIONAL)	3.5mm STEREO	DO NOT SCALE DRAWING	

UNLESS OTHERWISE SPECIFIED DIMENSIONS ARE IN INCHES TOLERANCES ARE:
FRACTIONS DECIMALS ANGLES
±1/32 .X ±.031 ±0° 30'
.XX ±.020



GENERAL DIGITAL
The Innovators of Flat Panel Technology
8 Nutmeg Road South, South Windsor, CT 06074
(860) 282-2900 www.GeneralDigital.com

TwoView
19.0" SXGA FLAT PANEL MONITOR

B	CAGE CODE	DWG. NO.	REV
	1JA77	06-11	-