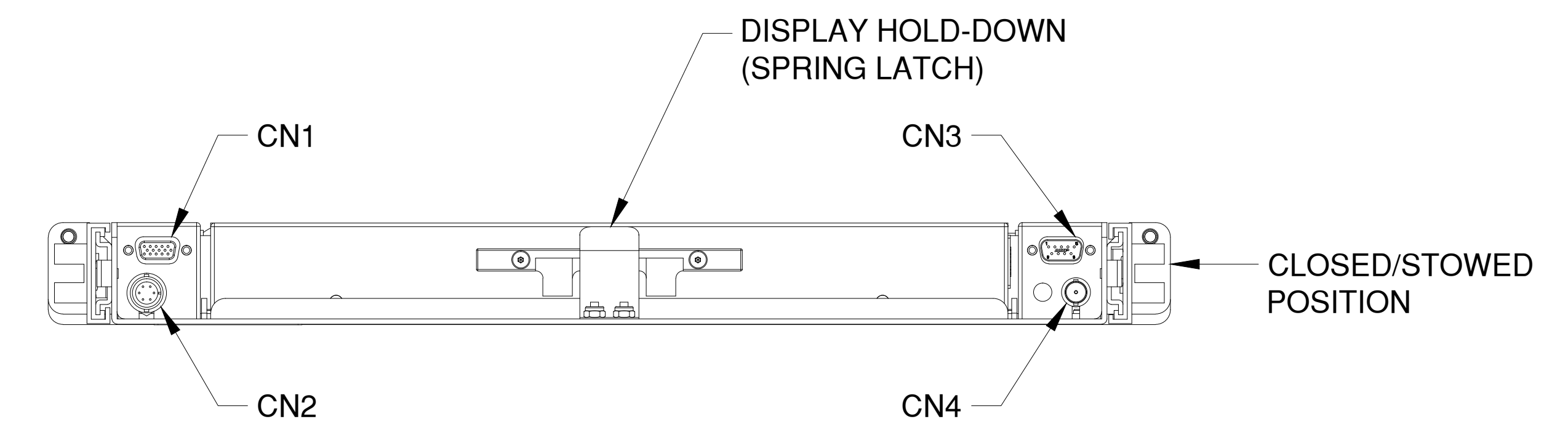
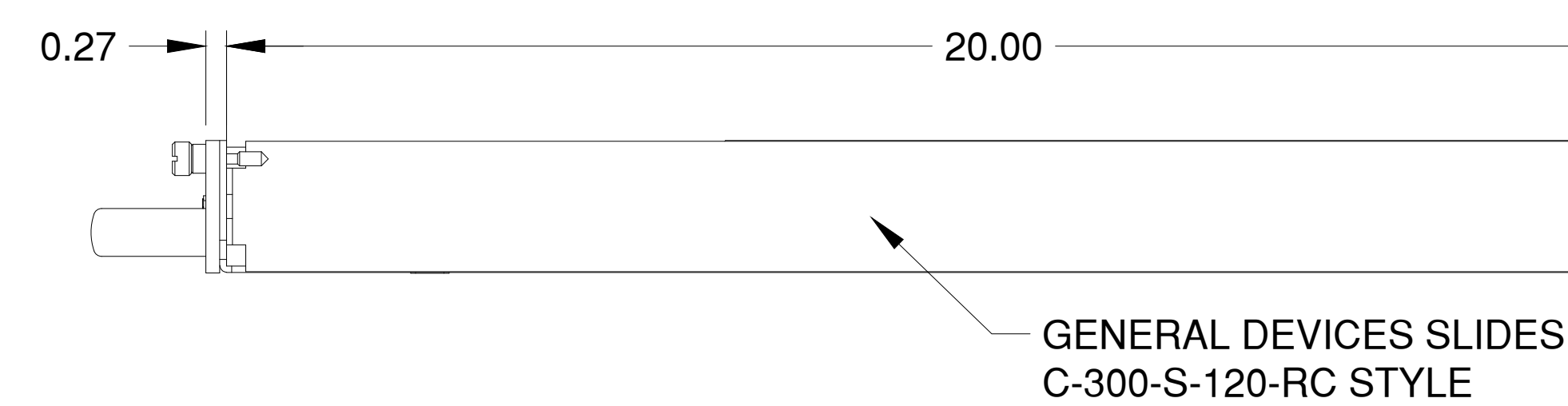
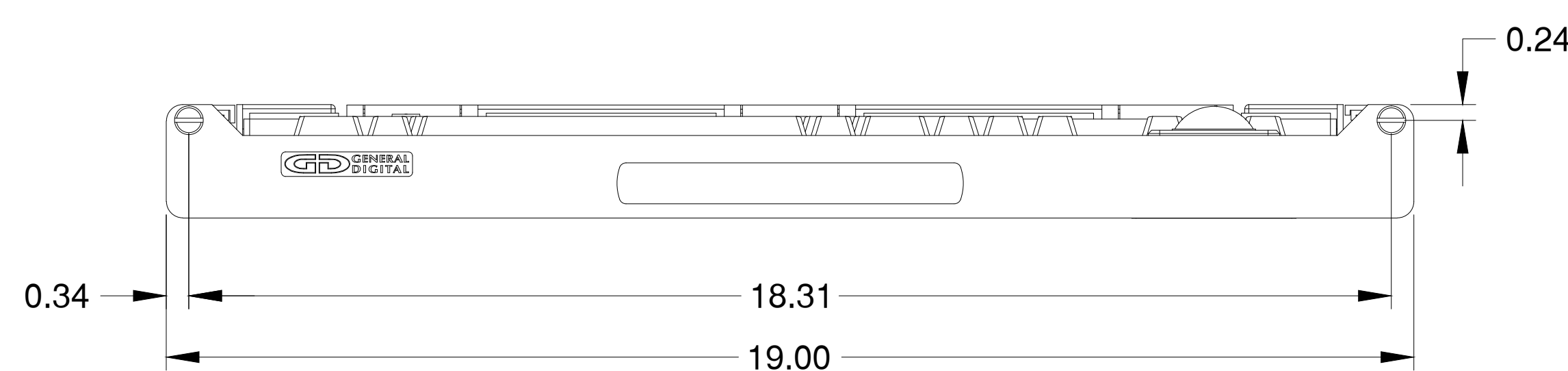
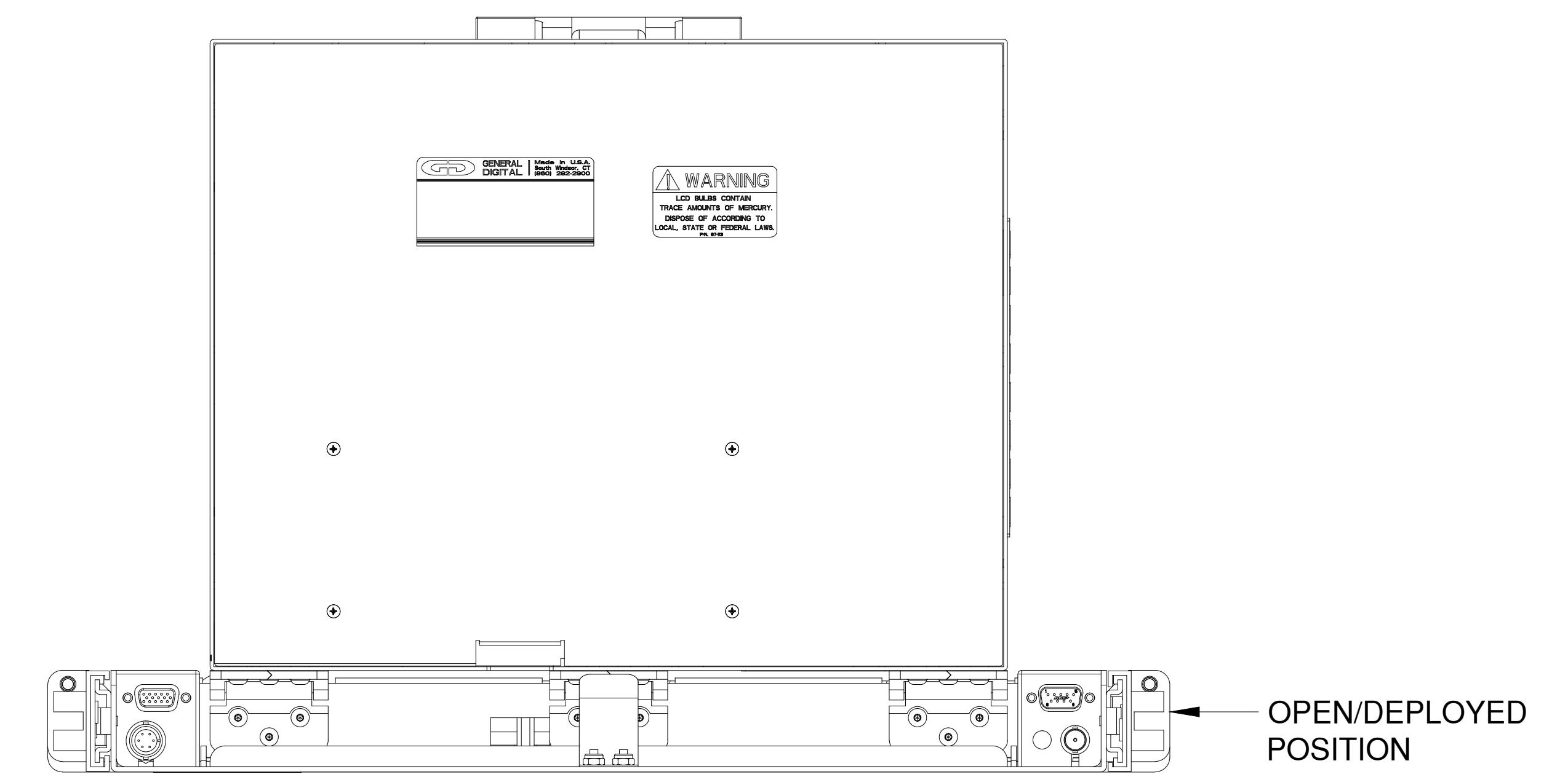
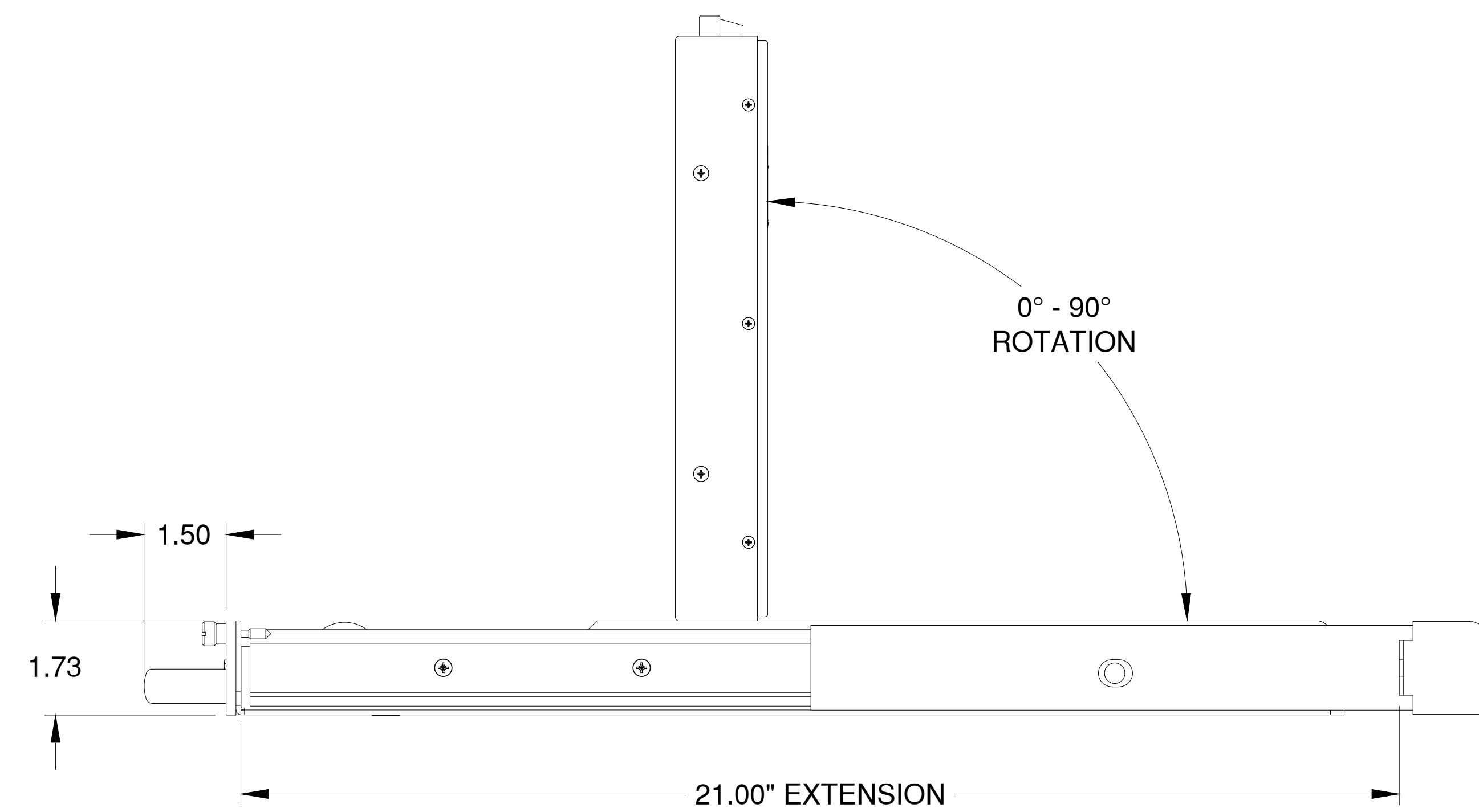
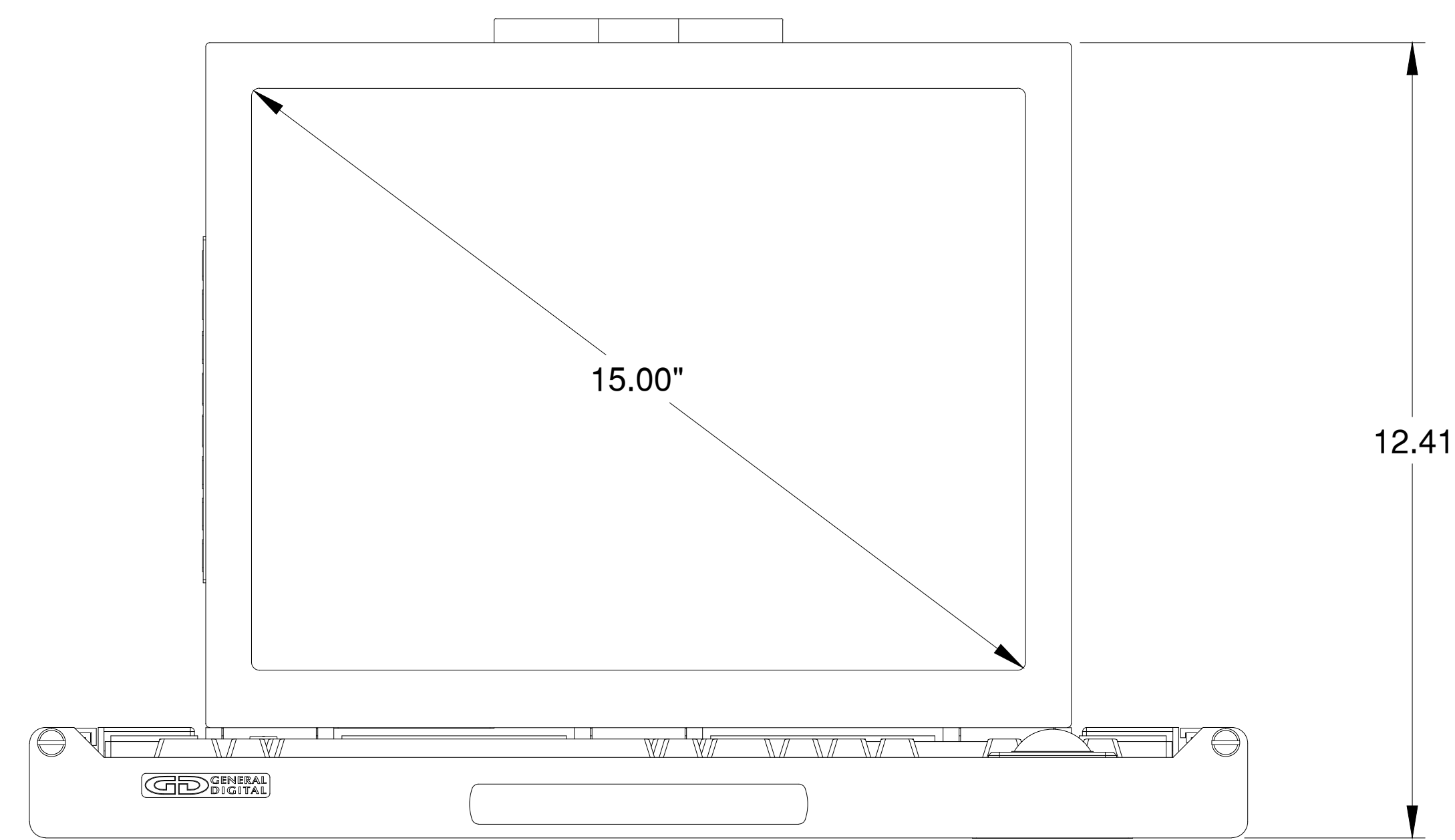
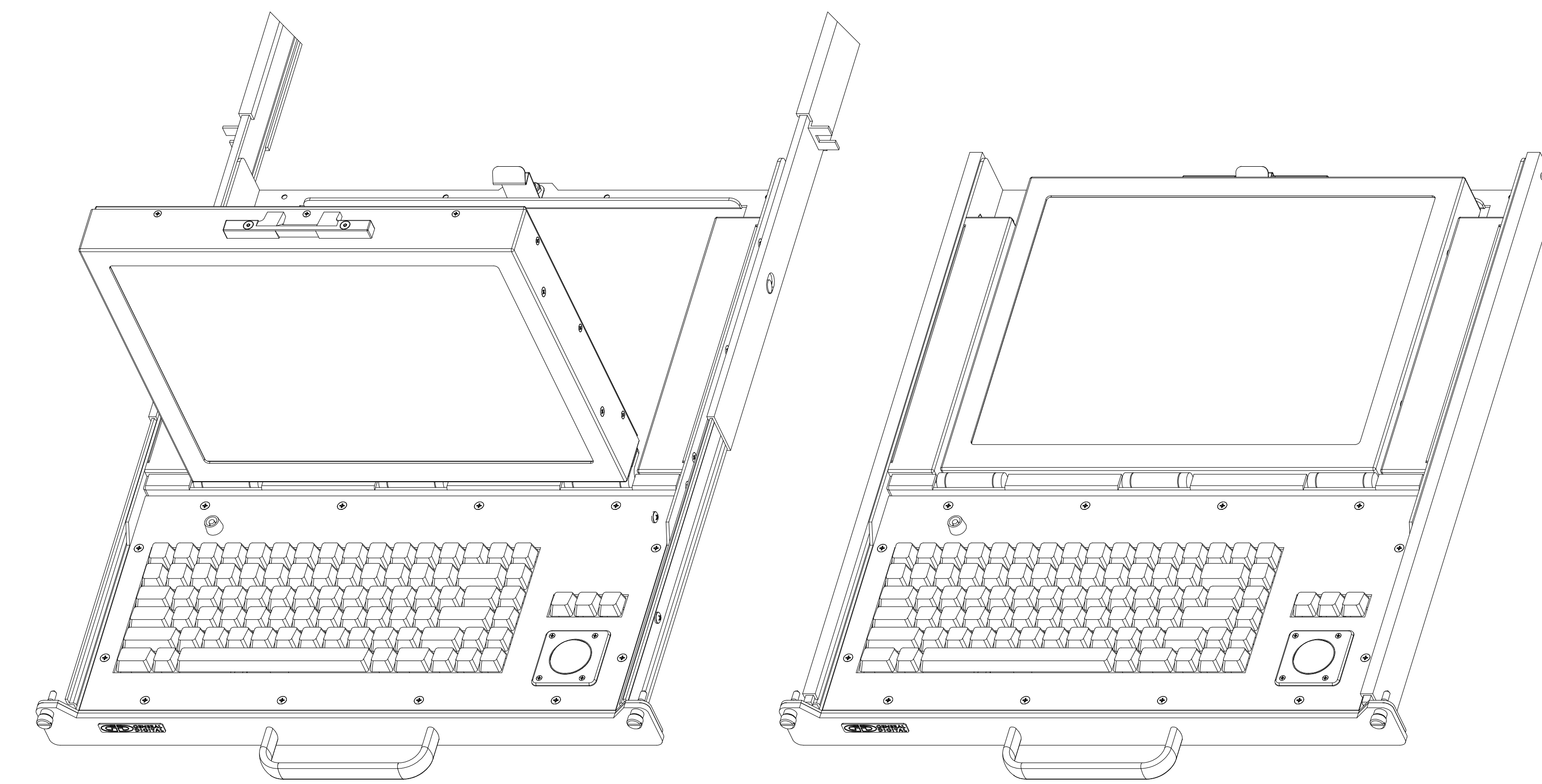
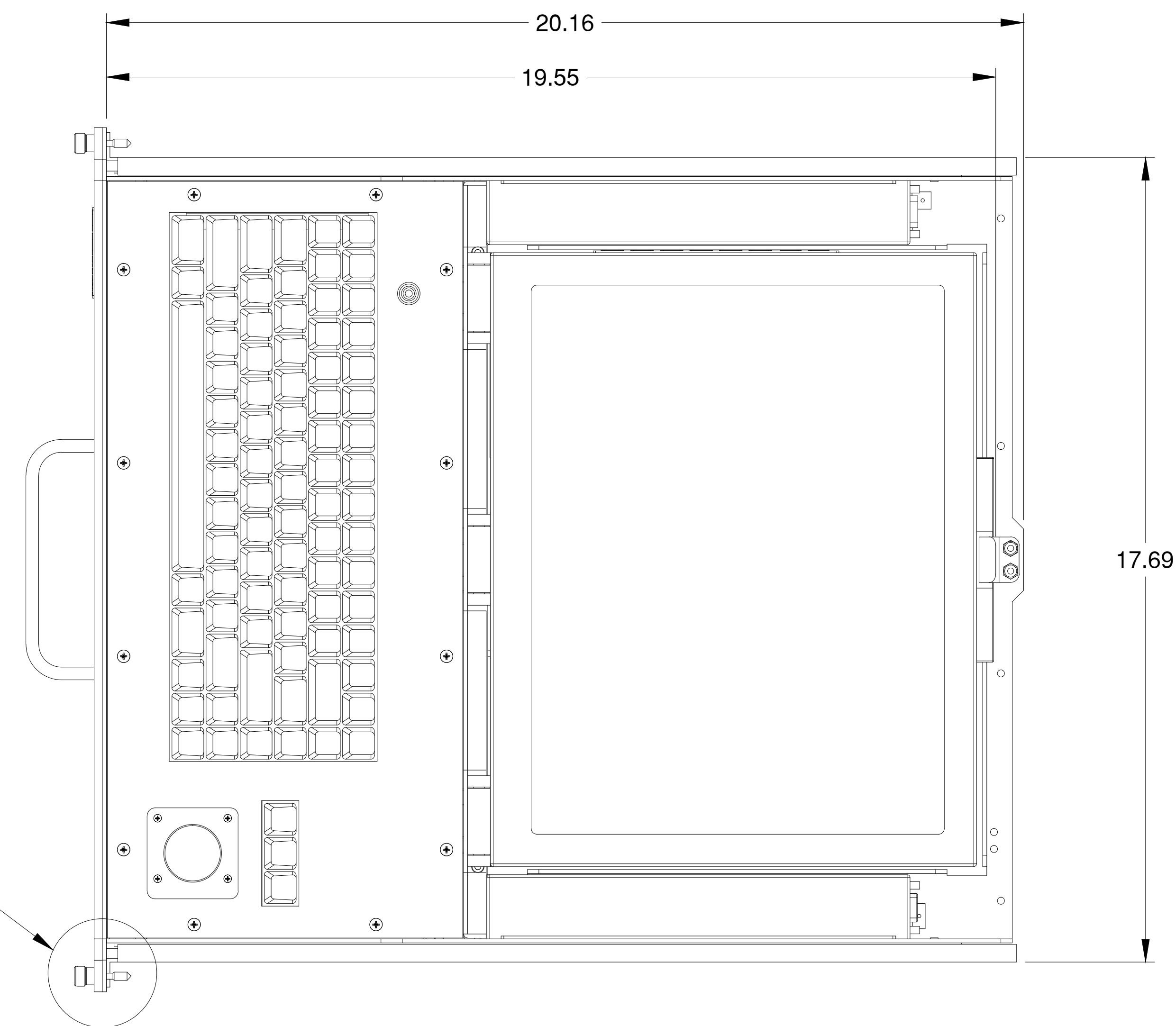


SEE DETAIL A



THIS DOCUMENT CONTAINS PROPRIETARY INFORMATION OF GENERAL DIGITAL AND IS NOT TO BE DISCLOSED, REPRODUCED OR PUBLISHED WITHOUT WRITTEN CONSENT FROM GENERAL DIGITAL. THIS DOCUMENT MUST BE RENDERED ILLEGIBLE WHEN BEING DISCARDED. © COPYRIGHT 2012. ALL RIGHTS RESERVED.

UNLESS OTHERWISE SPECIFIED DIMENSIONS ARE IN INCHES  
TOLERANCES ARE:  
FRACTIONS DECIMALS ANGLES  
±1/32 .X ±.050 ±0° 30'  
.XX ±.031  
.XXX±.020

| CONNECTOR CHART |                       |            |
|-----------------|-----------------------|------------|
| DESIGNATION     | FUNCTION              | TYPE       |
| CN1             | ANALOG VIDEO INPUT    | DE-15-S    |
| CN2             | +12 VDC INPUT         | RM12BRD-6S |
| CN3             | KEYBOARD/TRACKBALL    | DE-15-S    |
| CN4             | COMPOSITE VIDEO INPUT | BNC STYLE  |

MECHANICAL OUTLINE ONLY. SPECIFICATIONS SUBJECT TO CHANGE WITHOUT NOTICE. U.O.S. ALL DIMENSIONS ARE IN INCHES.

| APPROVALS |      | DATE      |
|-----------|------|-----------|
| DRAWN     | G.L. | 09-Apr-14 |
| CHECKED   | T.R. |           |
| APPROVED  | B.G. |           |

DO NOT SCALE DRAWING

**GD GENERAL DIGITAL**  
The Innovators of Flat Panel Technology  
8 Nutmeg Road South, South Windsor, CT 06074  
(860) 282-2900 www.GeneralDigital.com

**SLIMLINE 1U SOLAR/NVIS  
15.0" XGA MONITOR/KEYBOARD**

|          |           |          |     |
|----------|-----------|----------|-----|
| <b>B</b> | CAGE CODE | DWG. NO. | REV |
|          | 1JA77     | 14-44    | -   |

| REV | DATE | ECN | DESCRIPTION | BY |
|-----|------|-----|-------------|----|
|     |      |     |             |    |