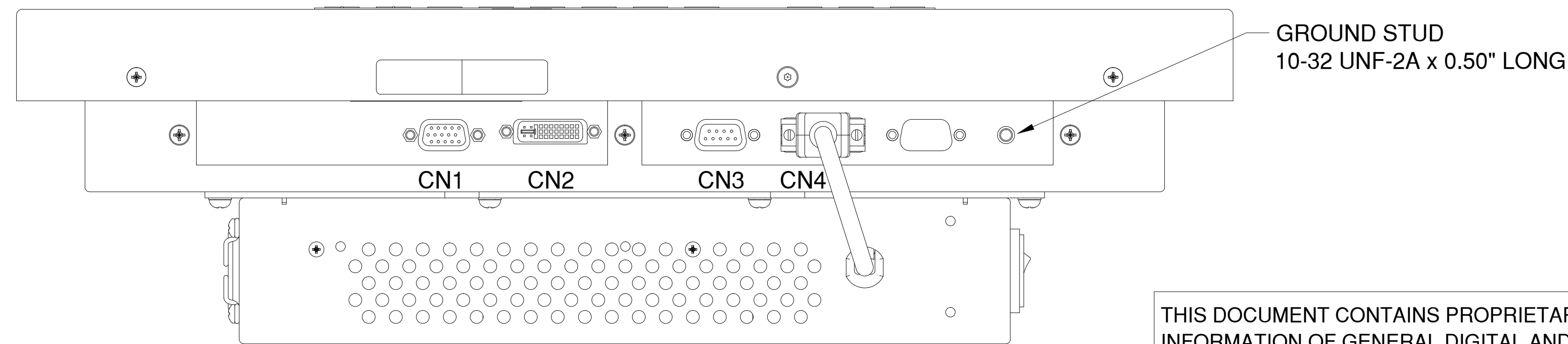
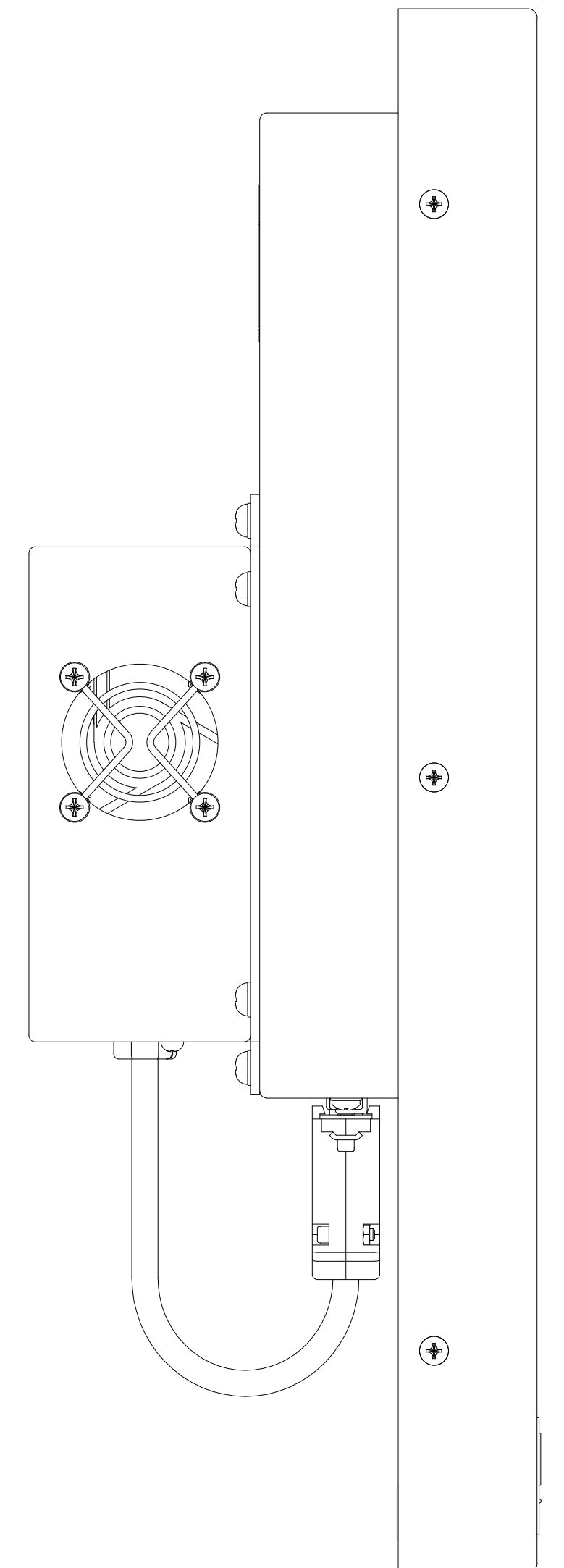
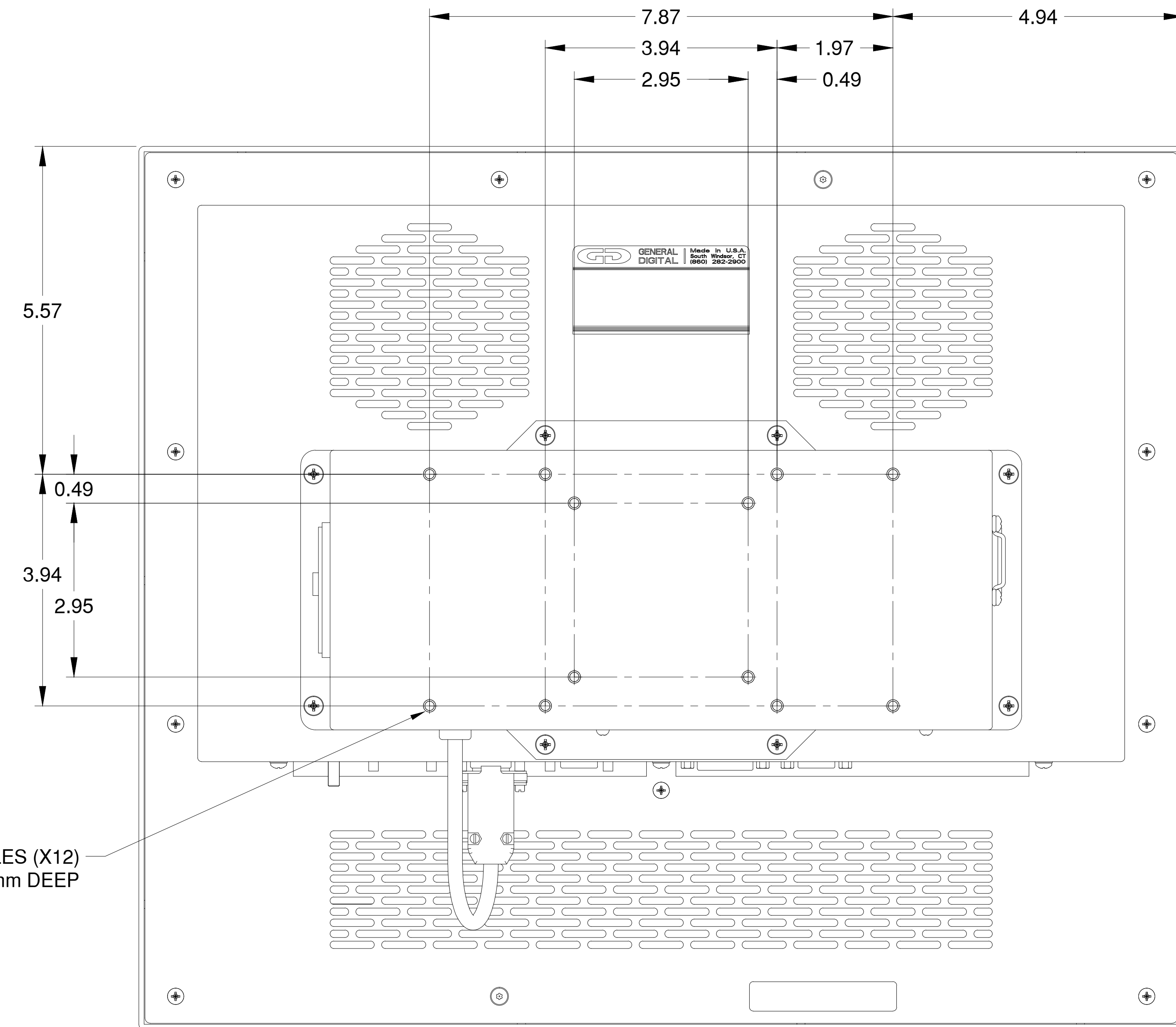
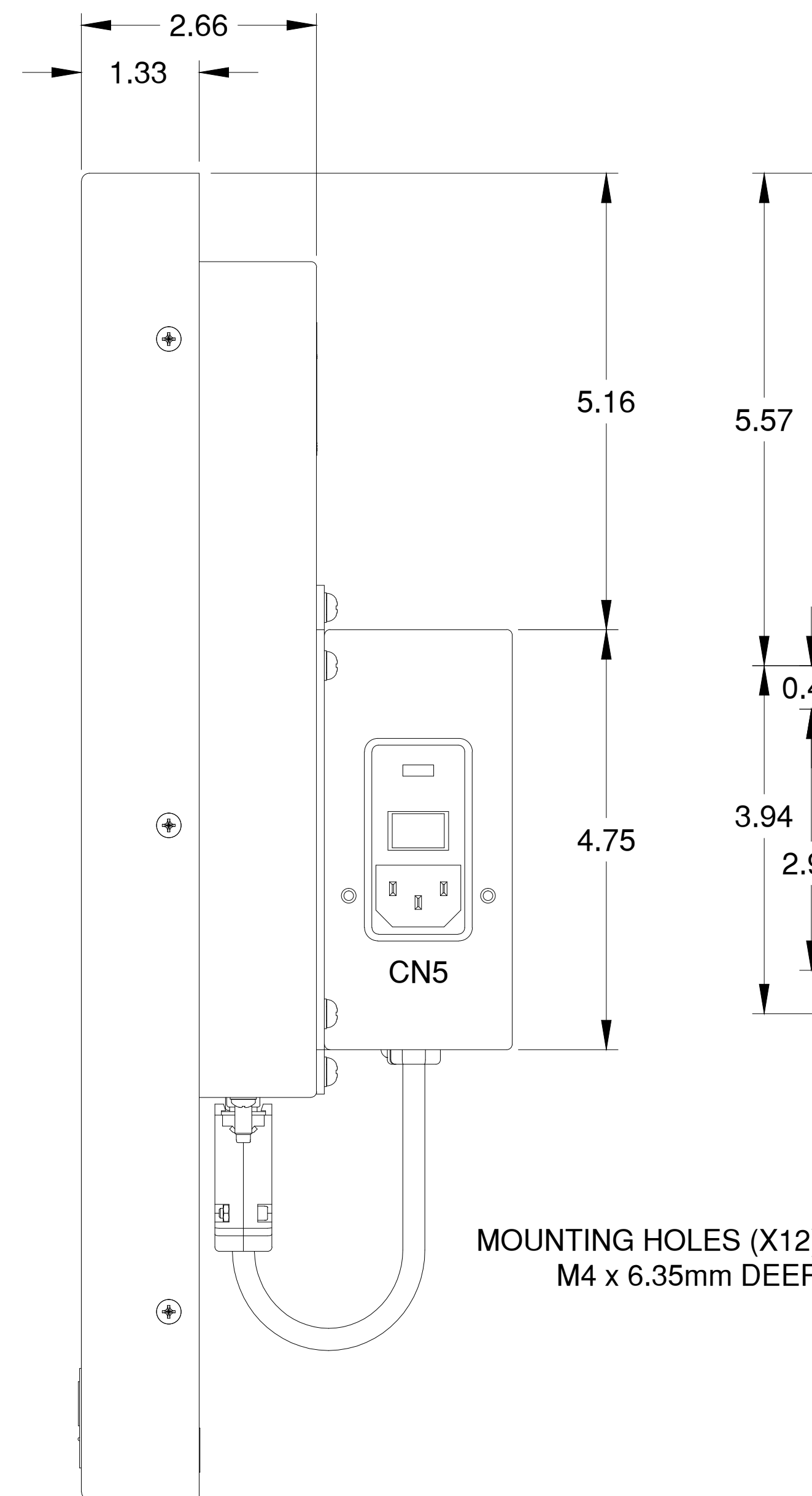
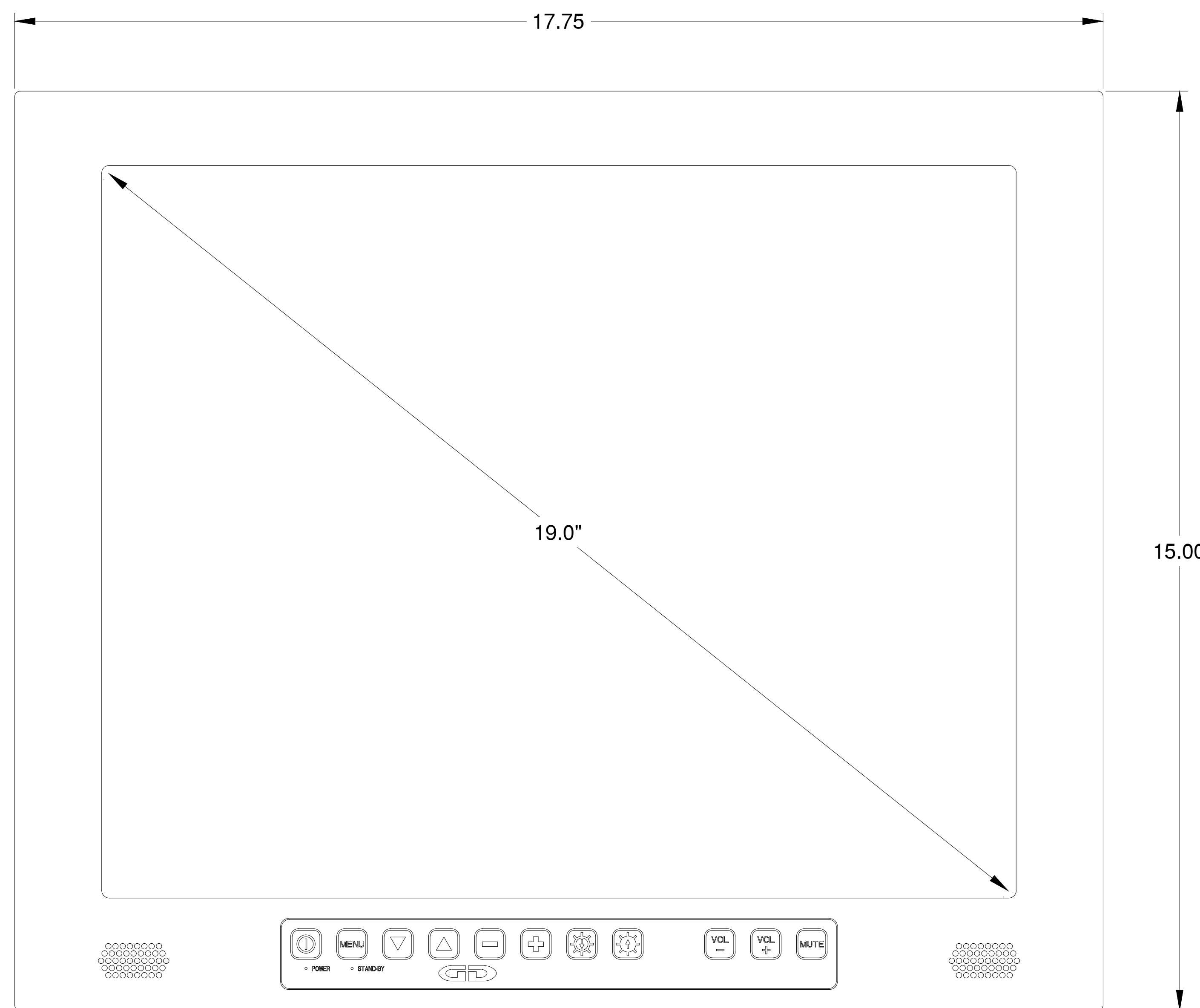
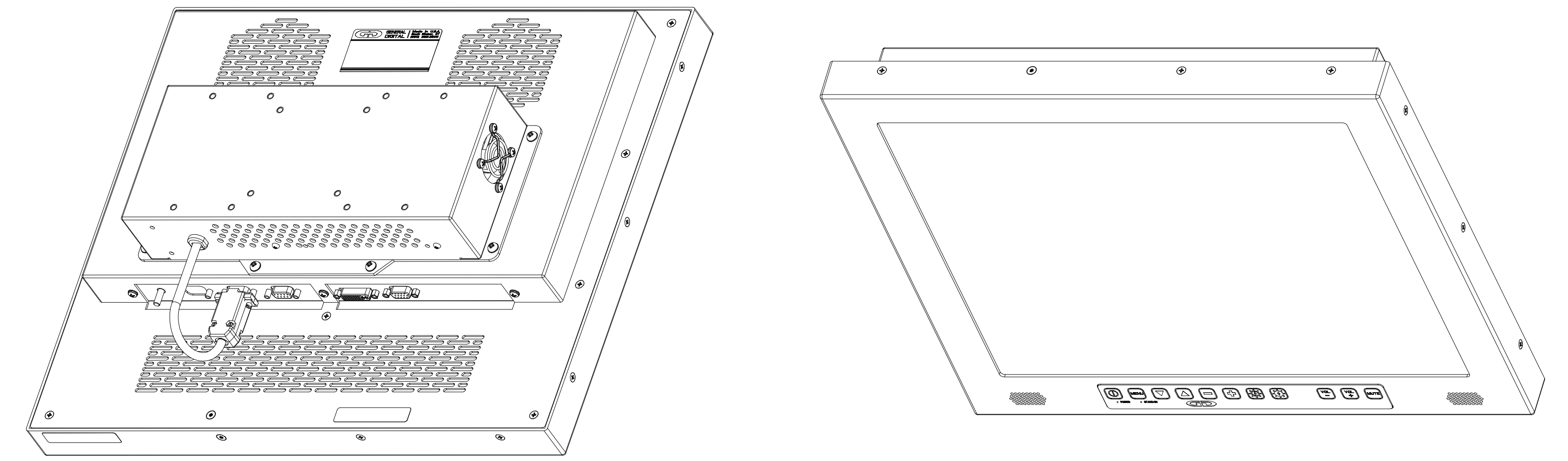
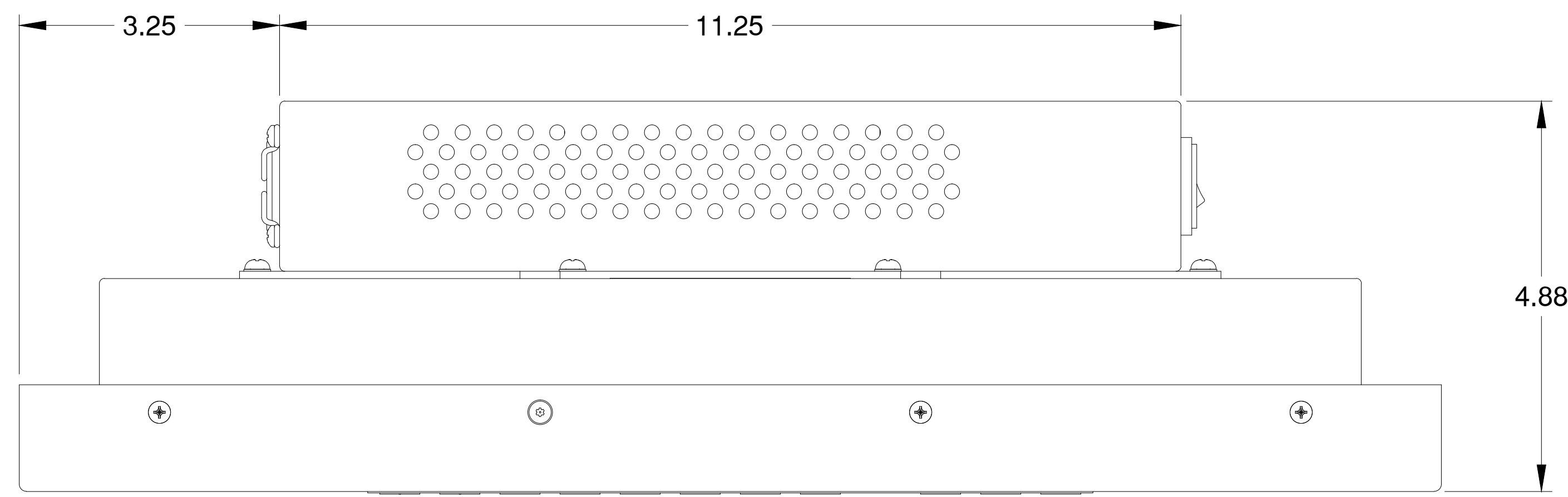


# SGD-19W-992-dd-00-18-gg-EPjj



MOUNTING HOLES (X12)  
M4 x 6.35mm DEEP

THIS DOCUMENT CONTAINS PROPRIETARY INFORMATION OF GENERAL DIGITAL AND IS NOT TO BE DISCLOSED, REPRODUCED OR PUBLISHED WITHOUT WRITTEN CONSENT FROM GENERAL DIGITAL. THIS DOCUMENT MUST BE RENDERED ILLEGIBLE WHEN BEING DISCARDED. © COPYRIGHT 2010. ALL RIGHTS RESERVED.

## CONNECTOR CHART

DESIGNATION	FUNCTION	TYPE
CN1	ANALOG VIDEO INPUT	DE-15-S
CN2	DVI-D INPUT	DVI-D
CN3	SERIAL INPUT	DE-9-S
CN4	+24 VDC INPUT	DE-2W2-S
CN5	AC INPUT	IEC-320

MECHANICAL OUTLINE ONLY. SPECIFICATIONS SUBJECT TO CHANGE WITHOUT NOTICE. U.O.S. ALL DIMENSIONS ARE IN INCHES.

APPROVALS		DATE
DRAWN	C.P.	01-Jun-09
CHECKED	T.R.	01-Jun-09
APPROVED	B.G.	01-Jun-09

DO NOT SCALE DRAWING



*The Innovators of Flat Panel Technology*  
8 Nutmeg Road South, South Windsor, CT 06074  
(860) 282-2900 www.GeneralDigital.com

**SABER STANDALONE SOLAR / LS19**  
**19.0" SXGA FLAT PANEL MONITOR**

<b>B</b>	CAGE CODE	DWG. NO.	REV
	1JA77	09-33	A2

REV	DATE	ECN	DESCRIPTION	BY
A2	10-Mar-14	-	UPDATED MODEL # AND DISPLAY DESCRIPTION	GL
A1	23-Jun-10	-	UPDATED STUD, INPUT POWER NOTES & DISPLAY #	CP
A	09-Jun-10	E002639	RE-DESIGNED MONITOR	CP

UNLESS OTHERWISE SPECIFIED DIMENSIONS ARE IN INCHES  
TOLERANCES ARE:  
FRACTIONS DECIMALS ANGLES  
±1/32 .X ±.050 ±0° 30'  
.XX ±.031  
.XXX±.020