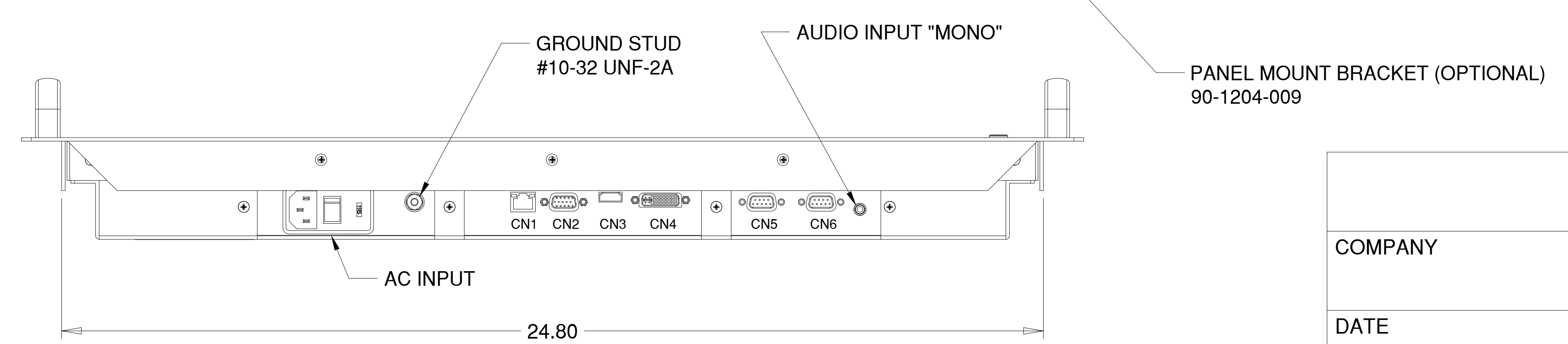
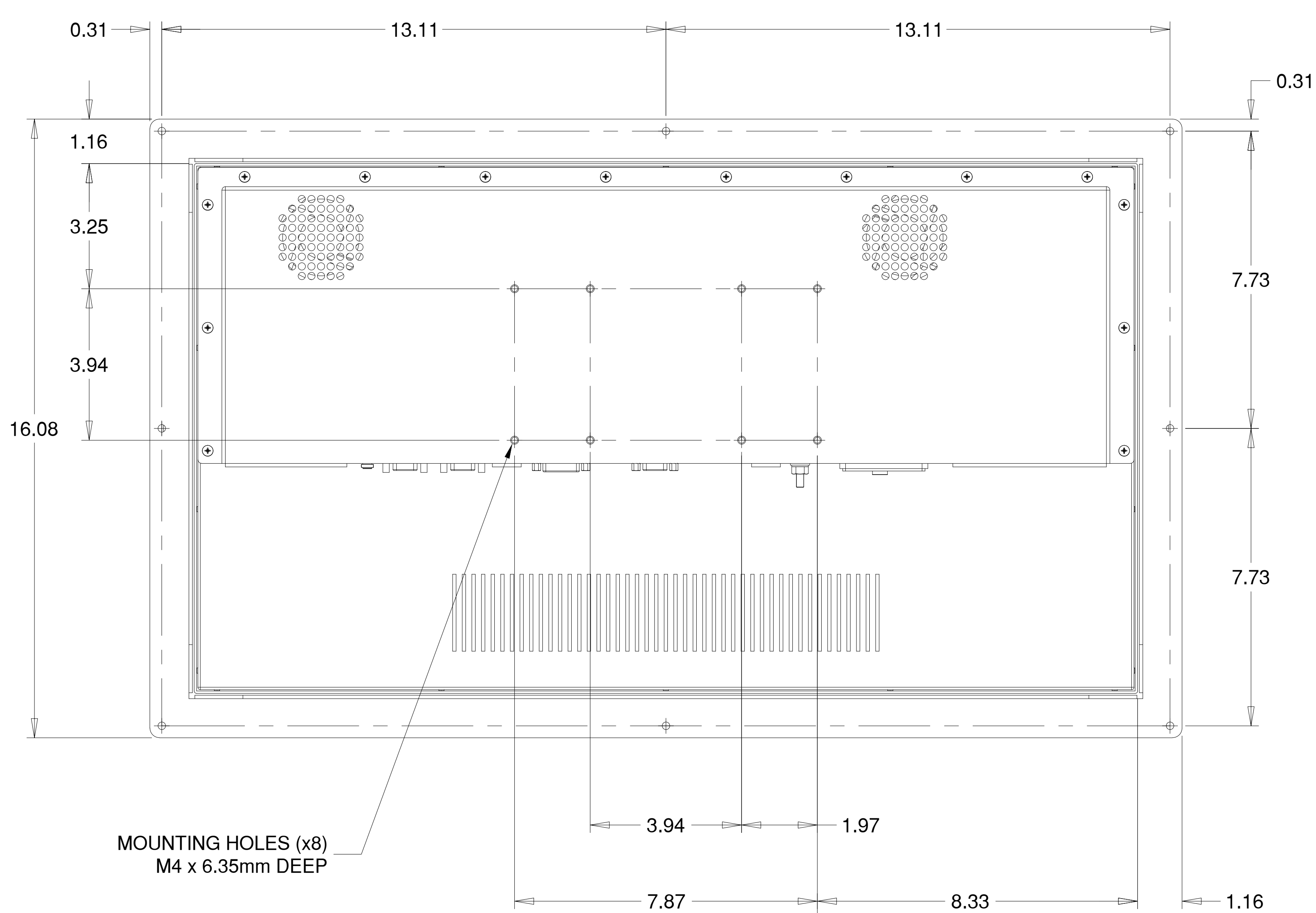
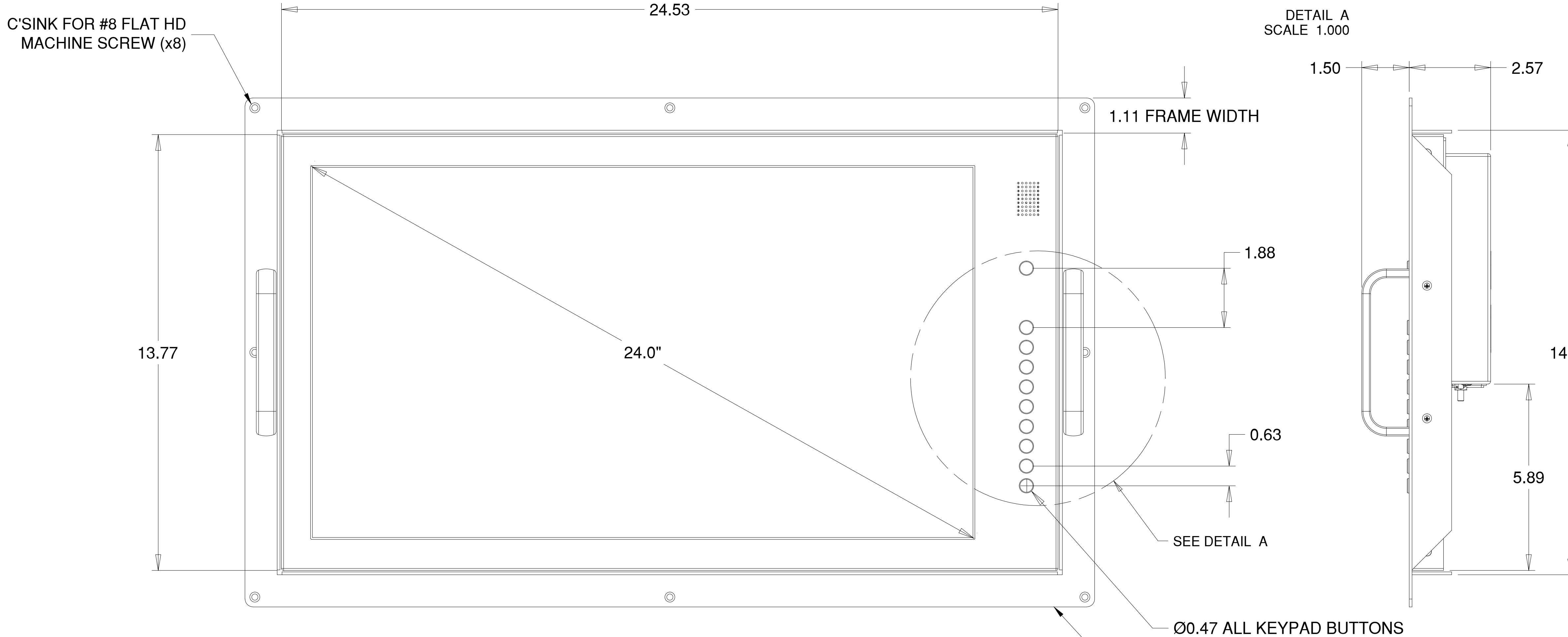


DETAIL A
SCALE 1.000



CUSTOMER APPROVAL

COMPANY	NAME (PRINT)
DATE	SIGNATURE

THIS DOCUMENT CONTAINS PROPRIETARY INFORMATION OF GENERAL DIGITAL AND IS NOT TO BE DISCLOSED, REPRODUCED OR PUBLISHED WITHOUT WRITTEN CONSENT FROM GENERAL DIGITAL. THIS DOCUMENT MUST BE RENDERED ILLEGIBLE WHEN BEING DISCARDED. © COPYRIGHT 2011. ALL RIGHTS RESERVED.

UNLESS OTHERWISE SPECIFIED DIMENSIONS ARE IN INCHES
TOLERANCES ARE:
FRACTIONS DECIMALS ANGLES
±1/32 .X ±.050 ±0° 30'
.XX ±.031
.XXX±.020

CONNECTOR CHART		
DESIGNATION	FUNCTION	TYPE
CN1	CONTROL OVER NETWORK	RJ45 CONN
CN2	ANALOG VIDEO INPUT	DE-15-S
CN3	HDMI INPUT	HDMI CONN
CN4	DVI-D INPUT	DVI CONN
CN5	TOUCH RS232	DE-9-S
CN6	PROGRAMMING	DE-15-P

MECHANICAL OUTLINE ONLY. SPECIFICATIONS SUBJECT TO CHANGE WITHOUT NOTICE. U.O.S. ALL DIMENSIONS ARE IN INCHES.

APPROVALS		DATE
DRAWN	GL	10-Mar-14
CHECKED	T.R.	
APPROVED	B.G.	
DO NOT SCALE DRAWING		



SABER STANDALONE / L24
24.0" WUXGA FLAT PANEL MONITOR

REV	DATE	ECN	DESCRIPTION	BY

B	CAGE CODE	DWG. NO.	REV
	1JA77	14-10	-