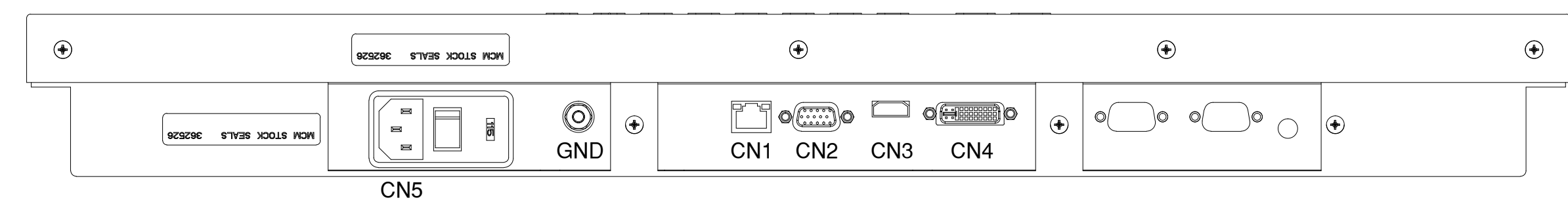
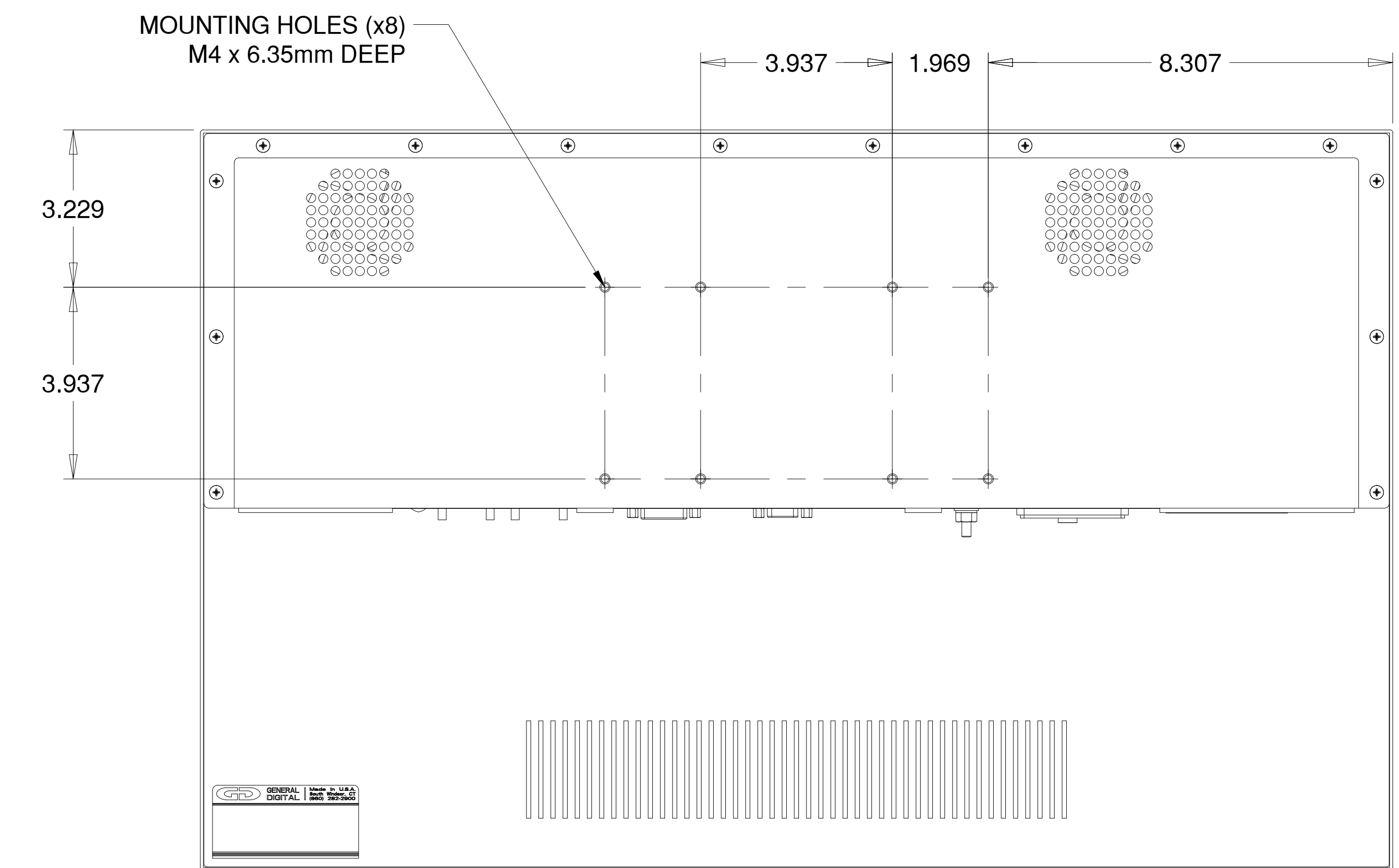
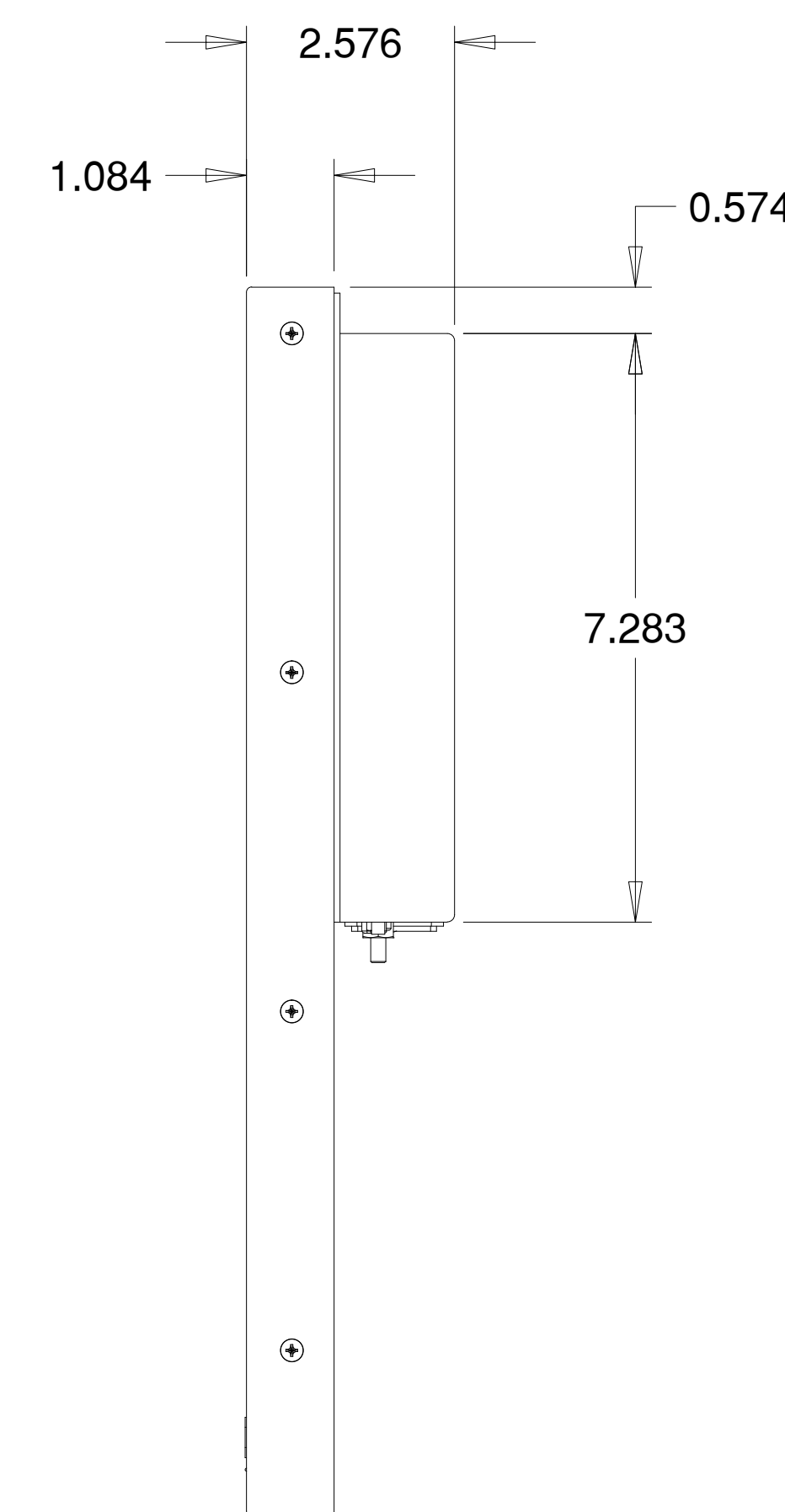
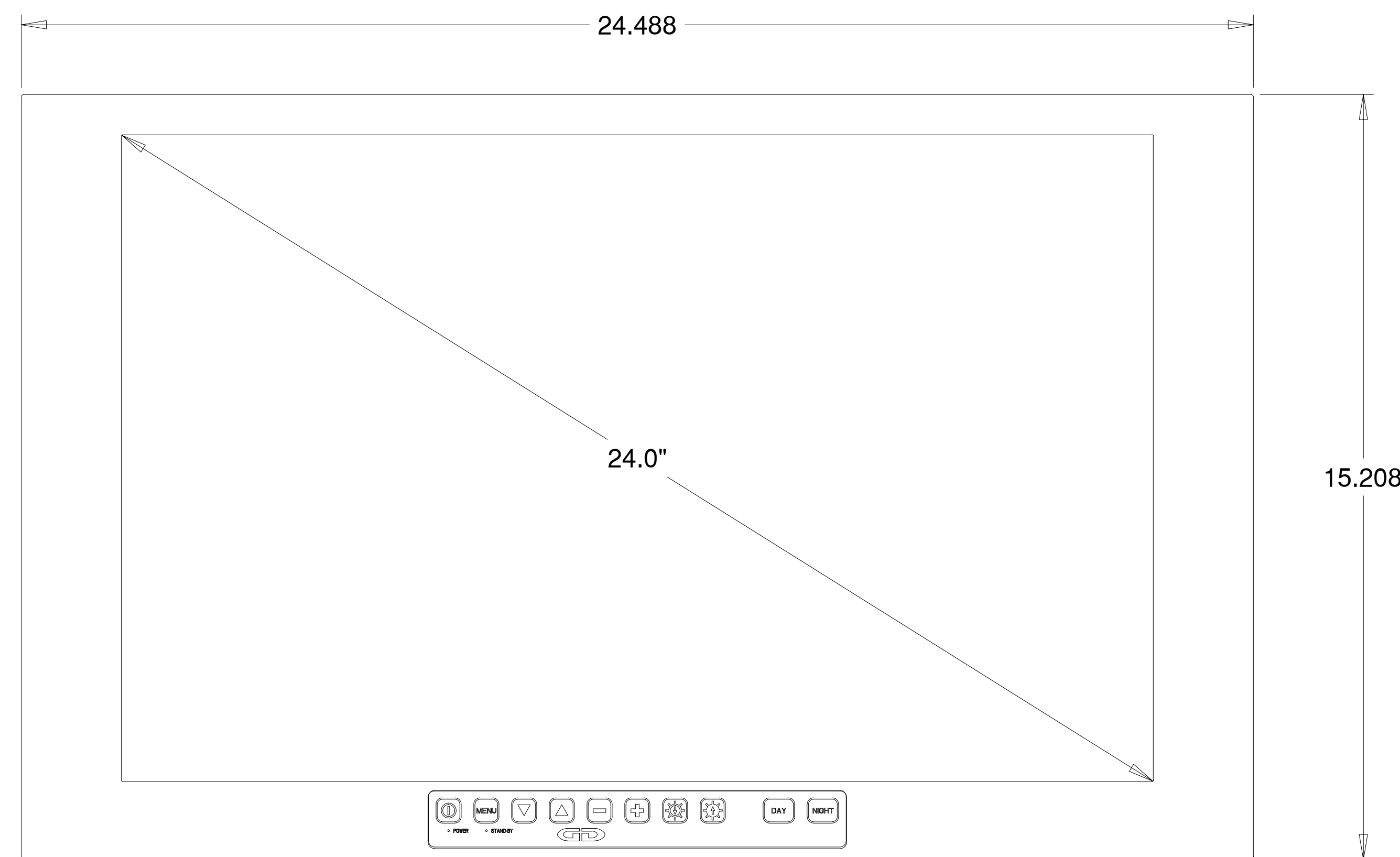
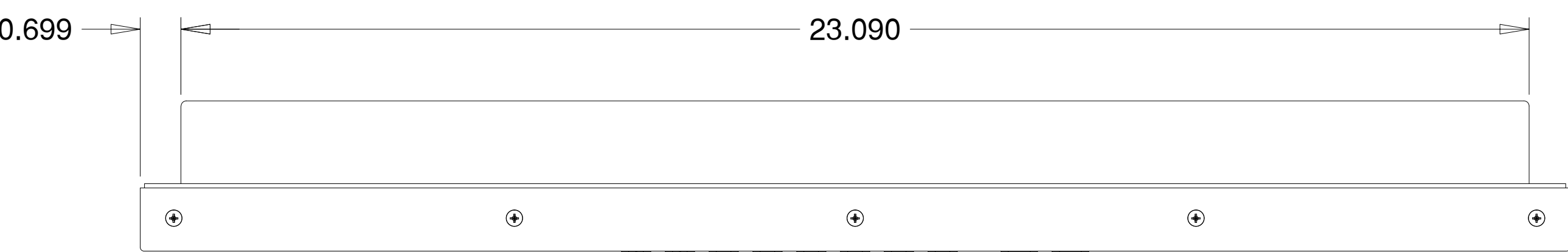
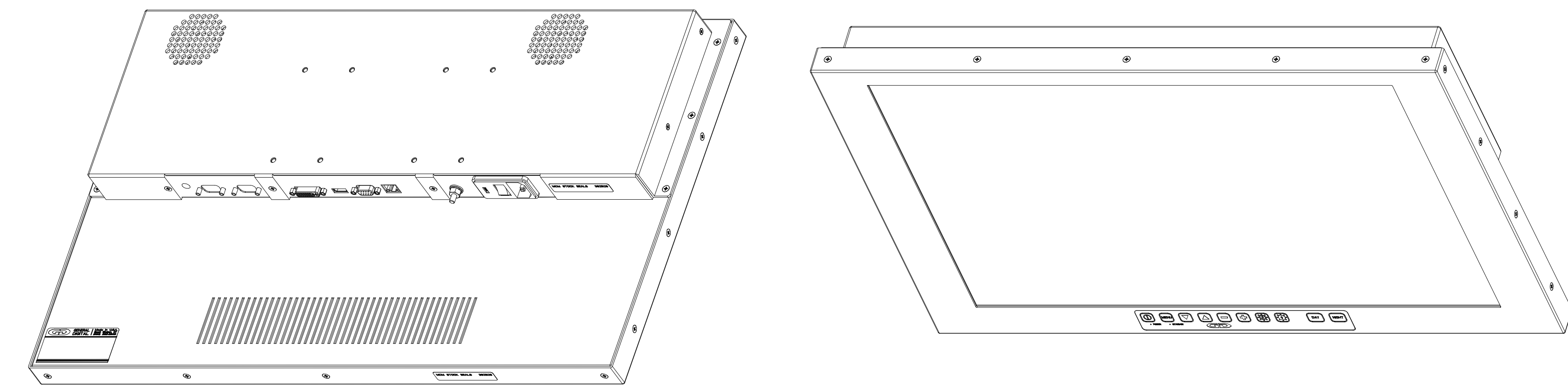


(X) OPTION	UNIT DESCRIPTION
-	SABER STANDALONE
S	SABER STANDALONE SOLAR
SN	SABER STANDALONE SOLAR/NVIS
D	SABER STANDALONE DAYLIGHT READABLE

(X)GD-24D-cccc-110-00-16-gg-IP38-000



THIS DOCUMENT CONTAINS PROPRIETARY INFORMATION OF GENERAL DIGITAL AND IS NOT TO BE DISCLOSED, REPRODUCED OR PUBLISHED WITHOUT WRITTEN CONSENT FROM GENERAL DIGITAL. THIS DOCUMENT MUST BE RENDERED ILLEGIBLE WHEN BEING DISCARDED. © COPYRIGHT 2011. ALL RIGHTS RESERVED.

UNLESS OTHERWISE SPECIFIED DIMENSIONS ARE IN INCHES
TOLERANCES ARE:
FRACTIONS DECIMALS ANGLES
±1/32 .X ±.050 ±0° 30'
.XX ±.031
.XXX±.020

CONNECTOR CHART		
DESIGNATION	FUNCTION	TYPE
CN1	CONTROL OVER NETWORK	RJ45 CONN
CN2	ANALOG VIDEO INPUT	DE-15-S
CN3	HDMI INPUT	HDMI CONN
CN4	DVI-D INPUT	DVI CONN
CN5	AC INPUT	IEC-320

MECHANICAL OUTLINE ONLY. SPECIFICATIONS SUBJECT TO CHANGE WITHOUT NOTICE. U.O.S. ALL DIMENSIONS ARE IN INCHES.

APPROVALS		DATE
DRAWN	GL	01-May-14
CHECKED	J.H.	01-May-14
APPROVED	K.H.	01-May-14

DO NOT SCALE DRAWING



The Innovators of Flat Panel Technology
8 Nutmeg Road South, South Windsor, CT 06074
(860) 282-2900 www.GeneralDigital.com

SABER STANDALONE / L24
24.0" WUXGA MONITOR

REV	DATE	ECN	DESCRIPTION	BY	CAGE CODE	DWG. NO.	REV
A	01-Jul-14	-	ADDED DISPLAY OPTIONS TABLE	GL	1JA77	14-52	A

REV	DATE	ECN	DESCRIPTION	BY
A	01-Jul-14	-	ADDED DISPLAY OPTIONS TABLE	GL