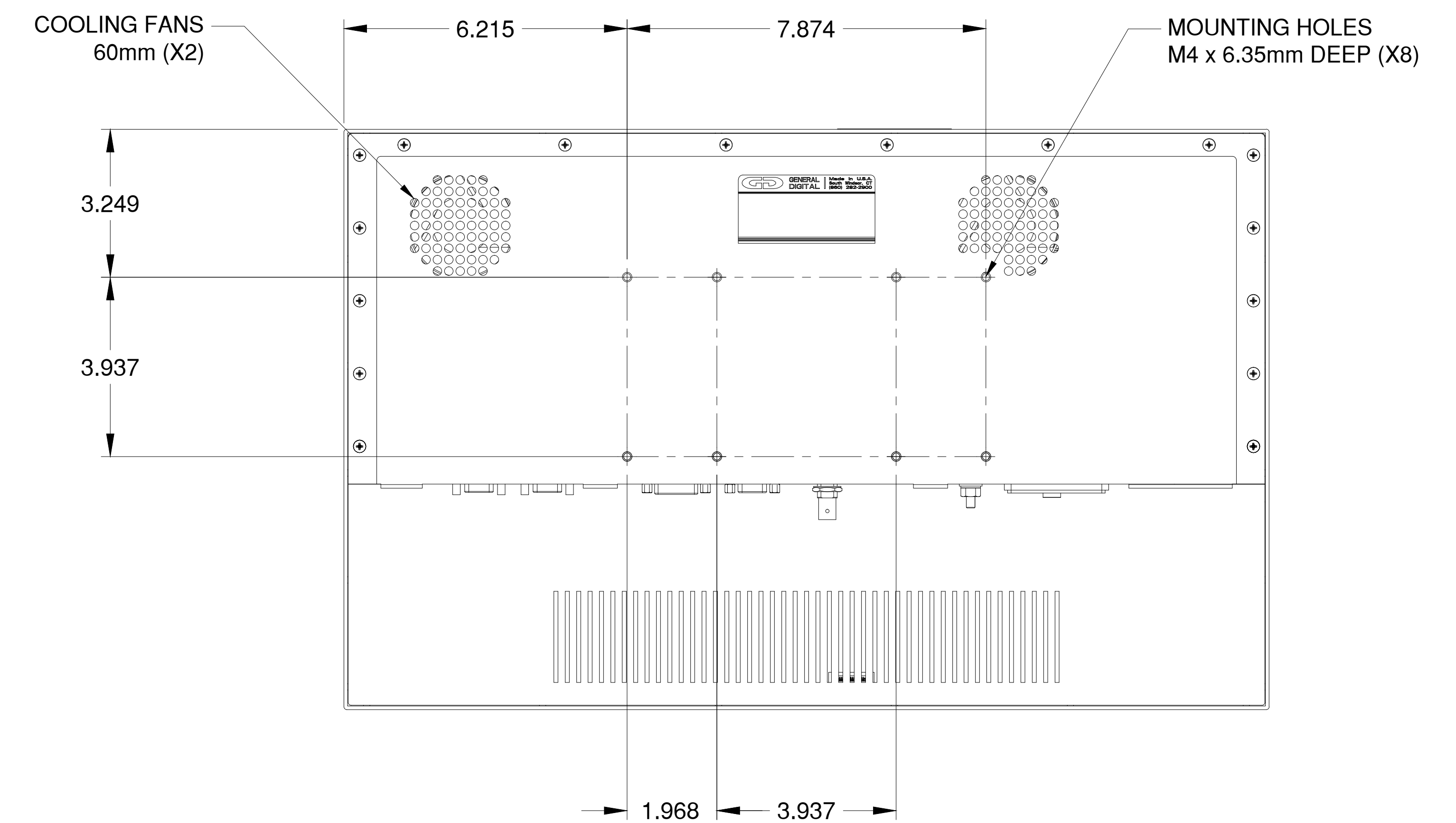
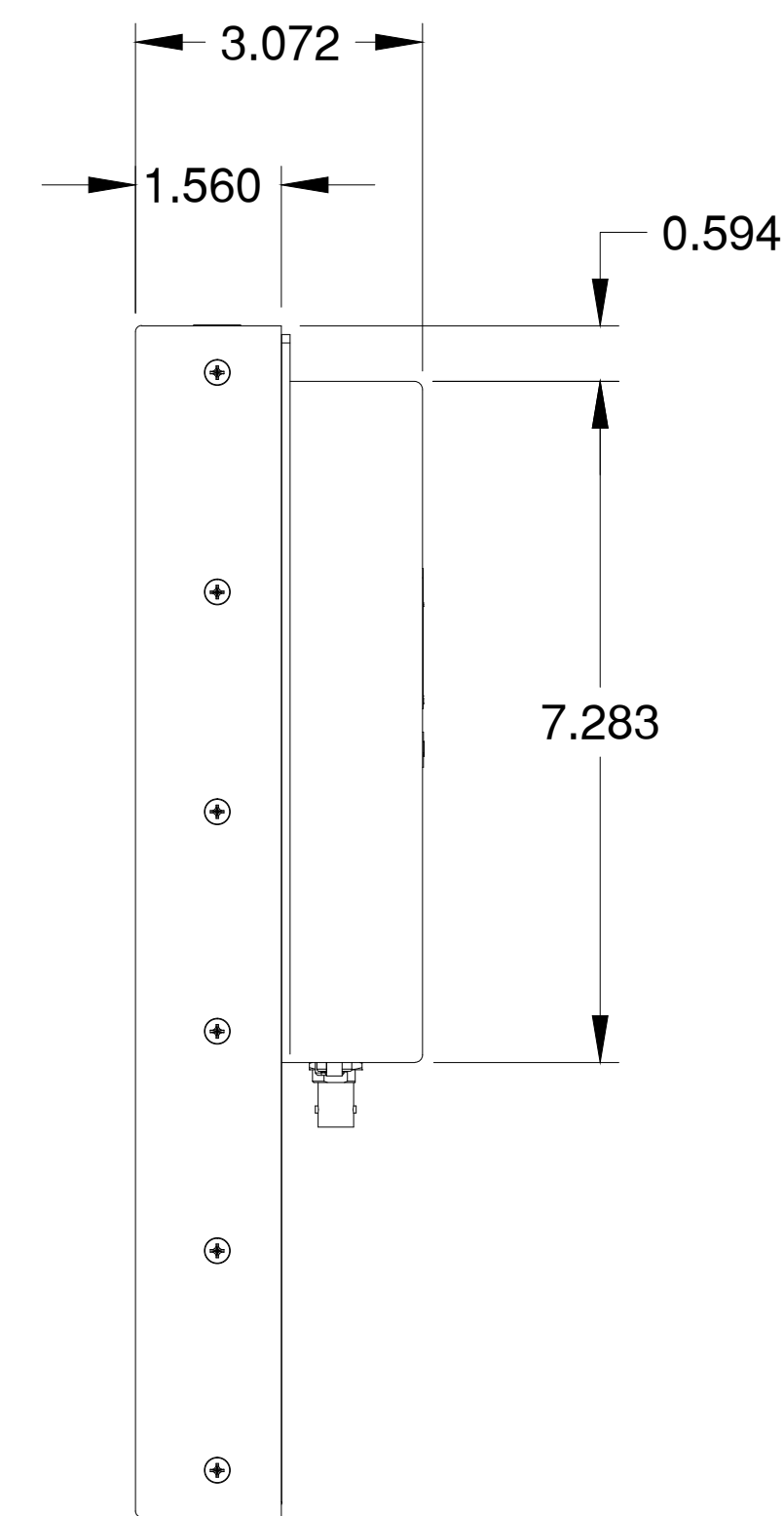
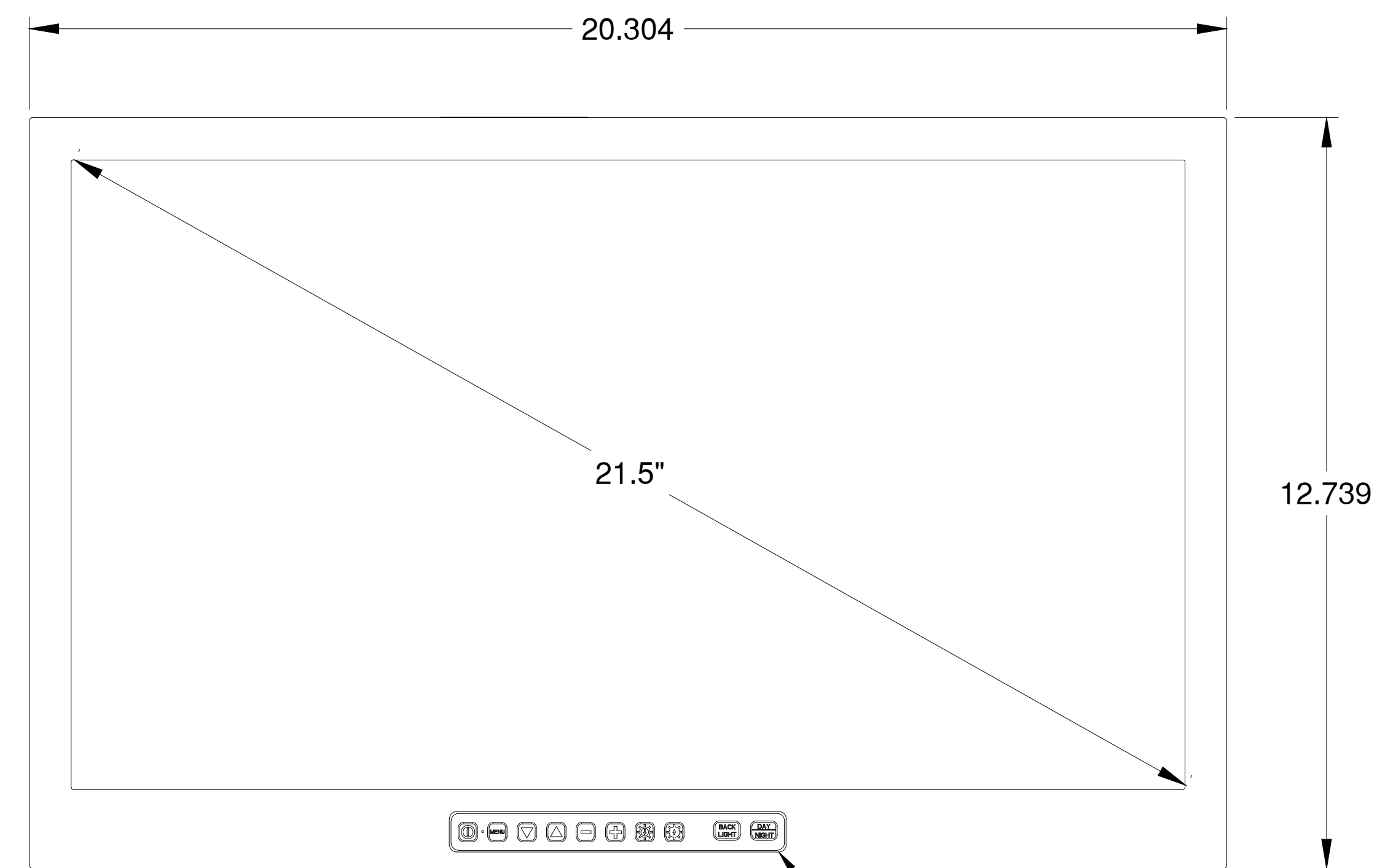
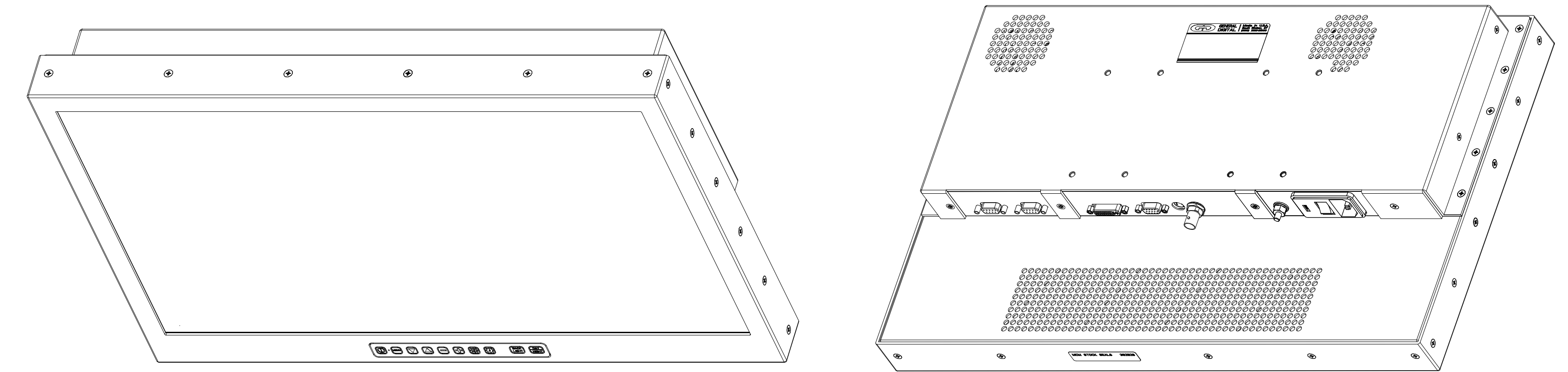
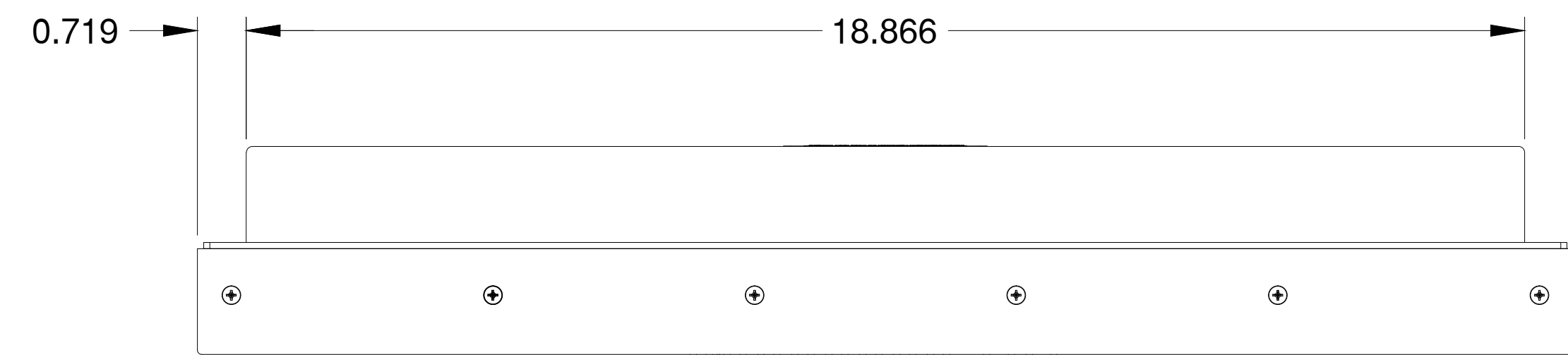
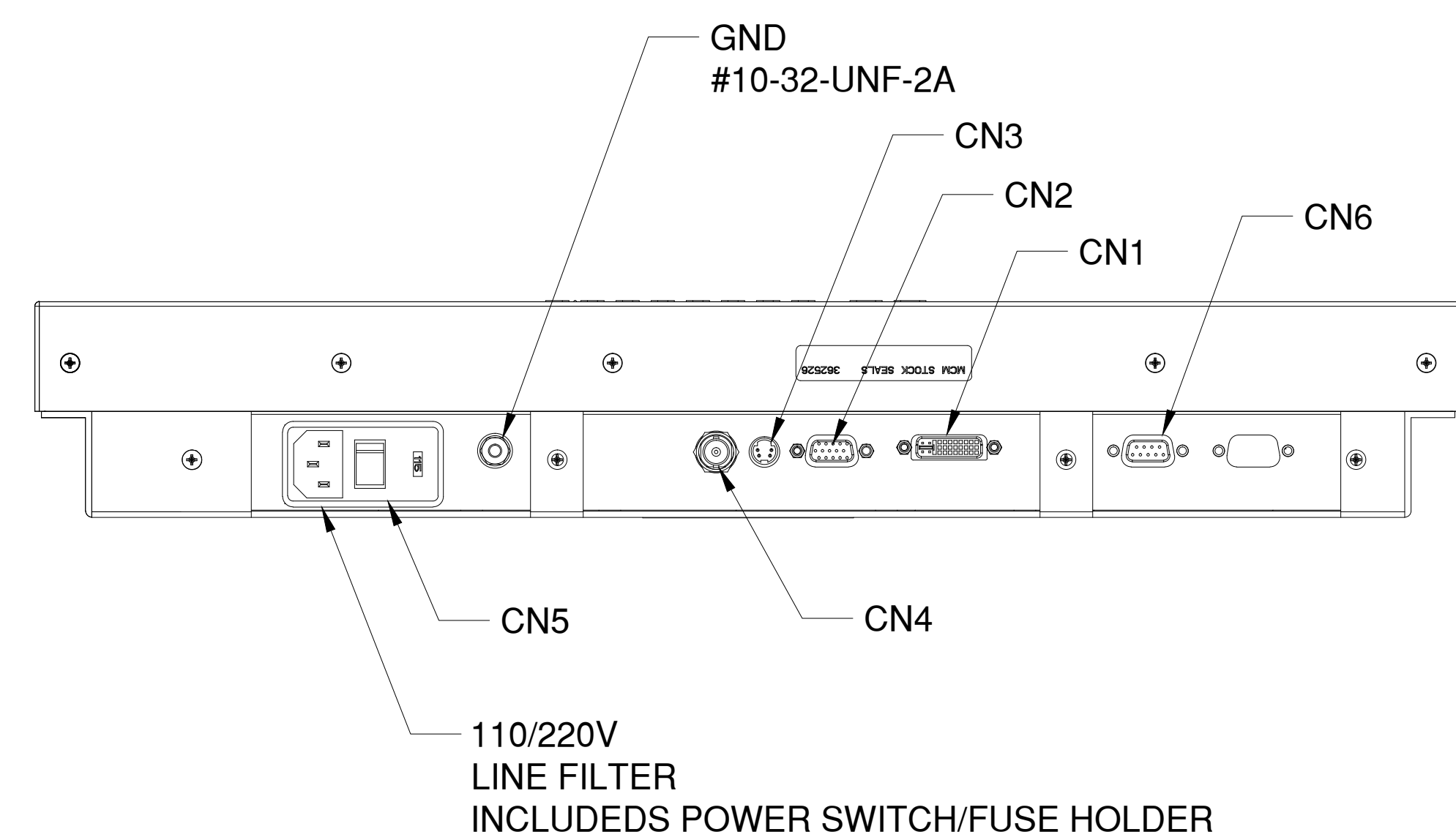


(X) OPTION	UNIT DESCRIPTION
-	SABER STANDALONE
S	SABER STANDALONE SOLAR
SN	SABER STANDALONE SOLAR/NVIS
D	SABER STANDALONE DAYLIGHT READABLE

(X)GD-22D-cccc-107-00-16-gg-IP14-000



SEALED 10-BUTTON NVIS/DAY KEYPAD



THIS DOCUMENT CONTAINS PROPRIETARY INFORMATION OF GENERAL DIGITAL AND IS NOT TO BE DISCLOSED, REPRODUCED OR PUBLISHED WITHOUT WRITTEN CONSENT FROM GENERAL DIGITAL. THIS DOCUMENT MUST BE RENDERED ILLEGIBLE WHEN BEING DISCARDED. © COPYRIGHT 2012. ALL RIGHTS RESERVED.

UNLESS OTHERWISE SPECIFIED DIMENSIONS ARE IN INCHES TOLERANCES ARE:  
 FRACTIONS DECIMALS ANGLES  
 ±1/32 .X ±.050 ±0° 30'  
 .XX ±.031  
 .XXX±.020

CONNECTOR CHART

DESIGNATION	FUNCTION	TYPE
CN1	DIGITAL VIDEO INPUT	DVI-D
CN2	ANALOG VIDEO INPUT	DE-15-S
CN3	S-VIDEO	4P MINI DIN S
CN4	NTSC	BNC JACK
CN5	AC INPUT	IEC-320
CN6	TOUCH (USB)	DE-9-P

MECHANICAL OUTLINE ONLY. SPECIFICATIONS SUBJECT TO CHANGE WITHOUT NOTICE. U.O.S. ALL DIMENSIONS ARE IN INCHES.

APPROVALS		DATE
DRAWN	G.L.	08-Apr-14
CHECKED	T.R.	
APPROVED	B.G.	

**GD GENERAL DIGITAL**  
*The Innovators of Flat Panel Technology*  
 8 Nutmeg Road South, South Windsor, CT 06074  
 (860) 282-2900 www.GeneralDigital.com

SABER STANDALONE  
 21.5" WUXGA MONITOR

REV	DATE	ECN	DESCRIPTION	BY
A	01-Jul-14	-	ADDED DISPLAY OPTIONS TABLE	GL

<b>B</b>	CAGE CODE	DWG. NO.	REV
	1JA77	14-39	A

DO NOT SCALE DRAWING