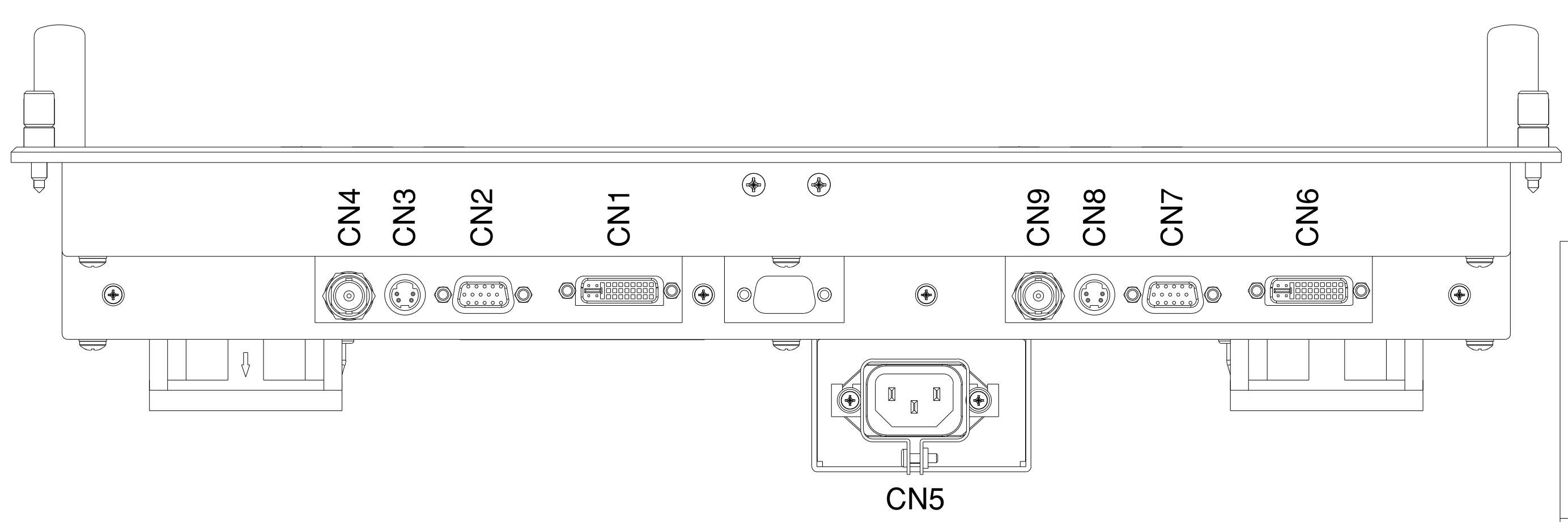
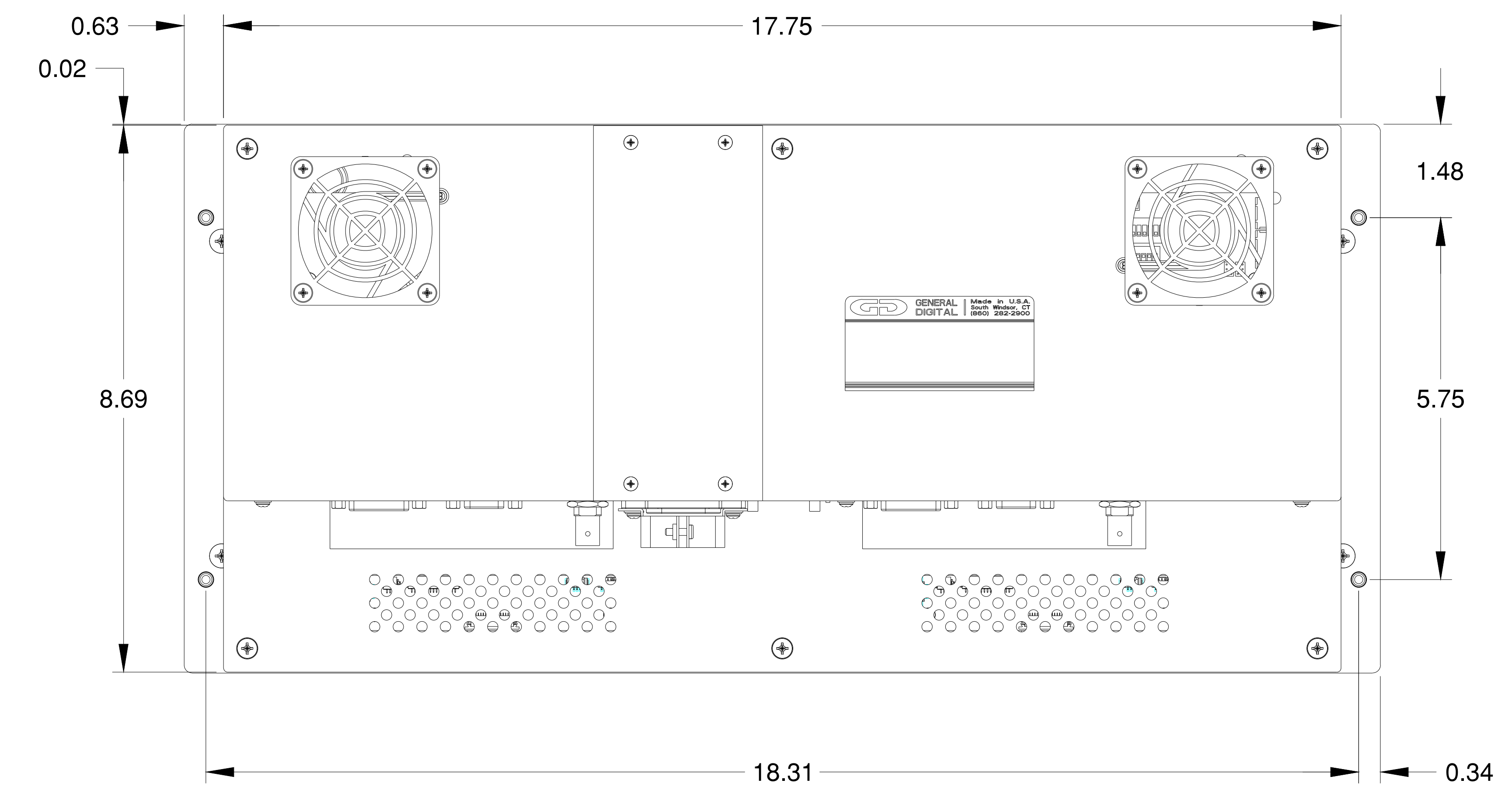
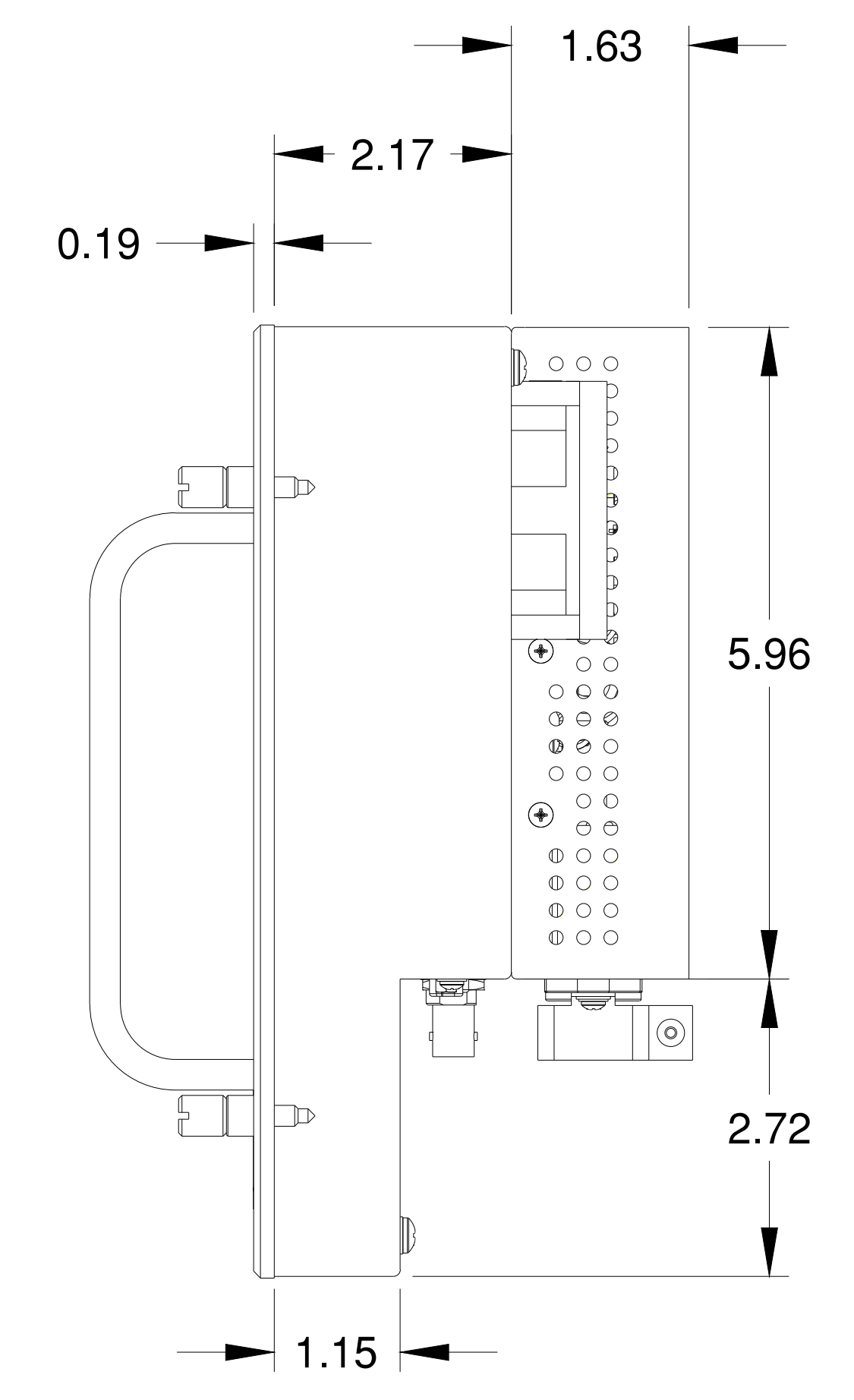
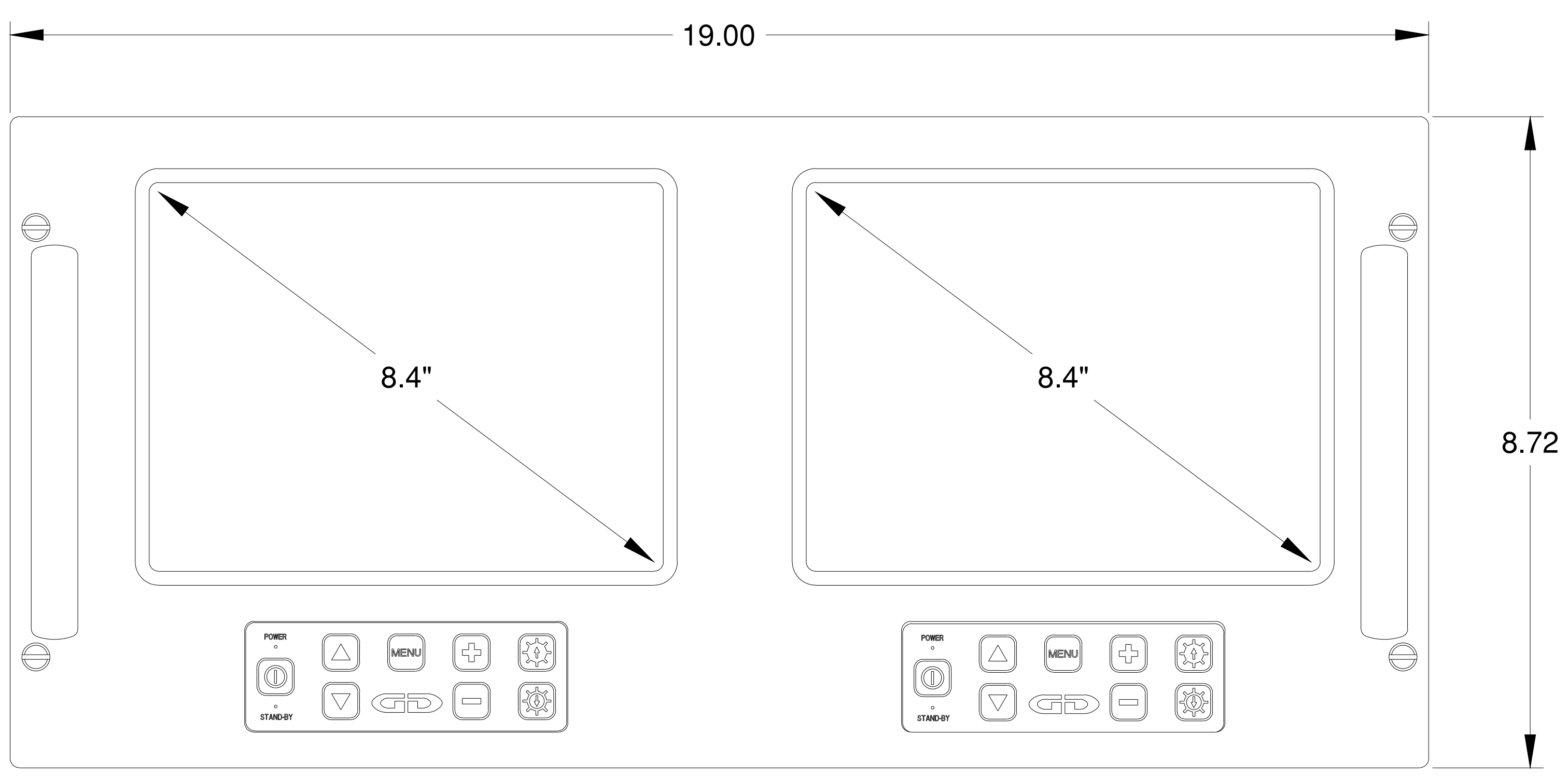
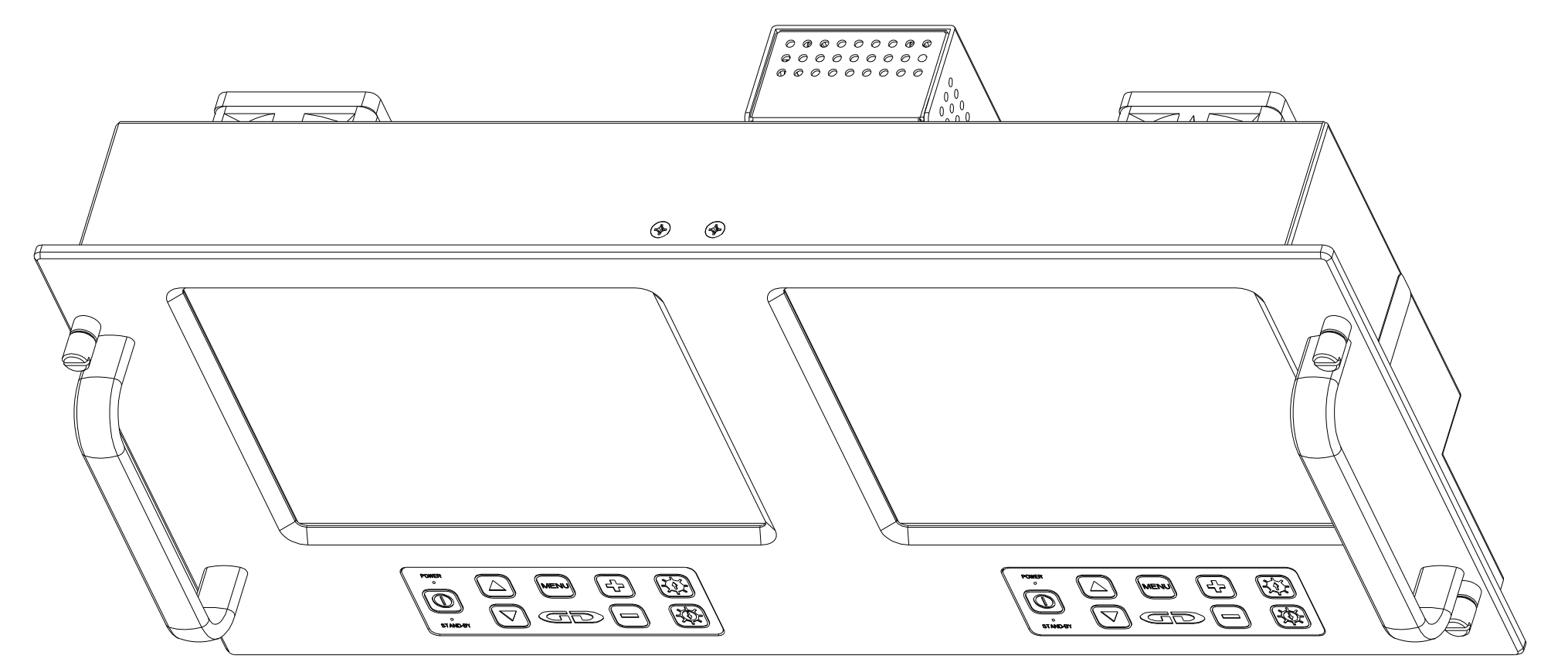
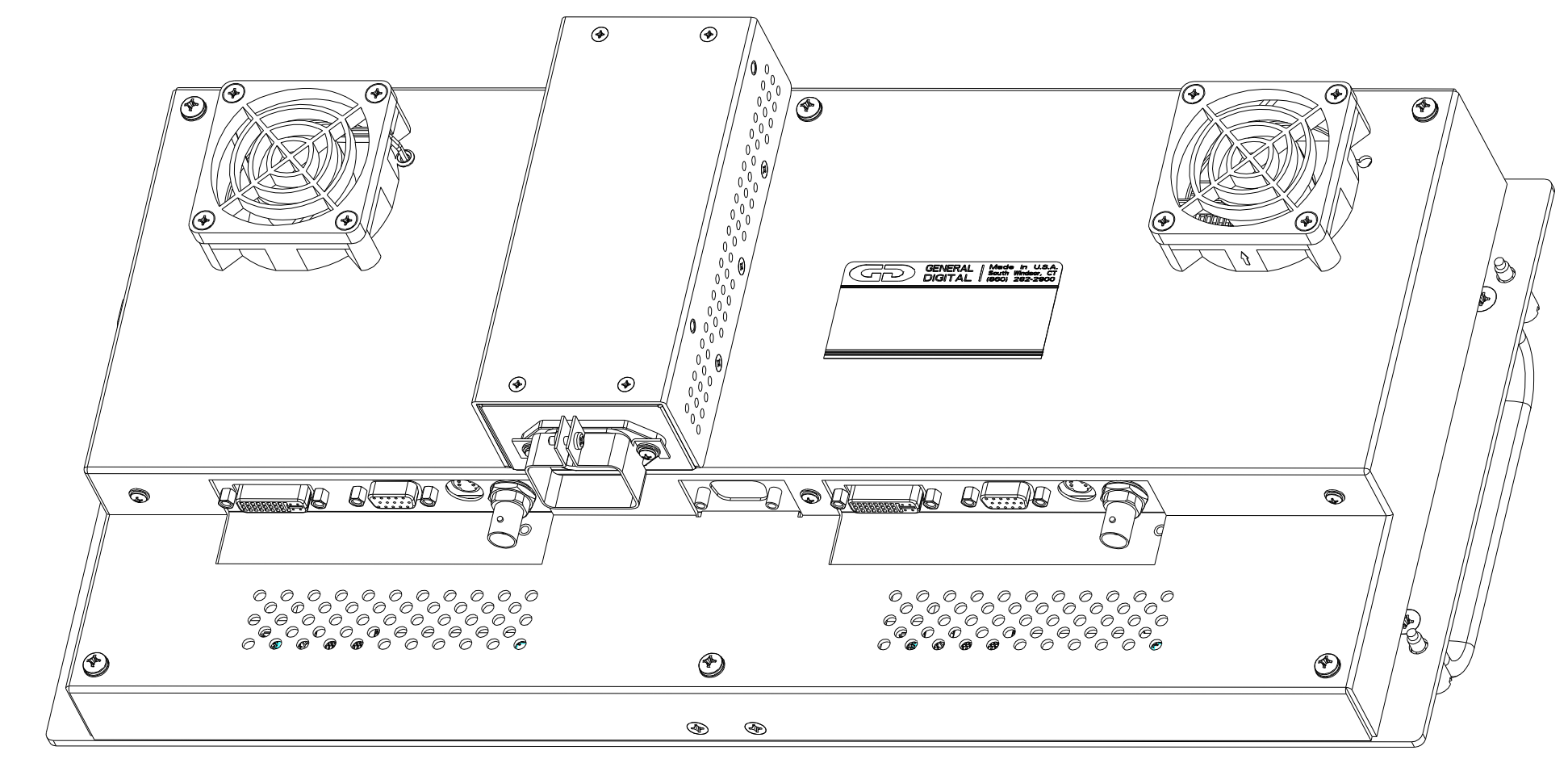
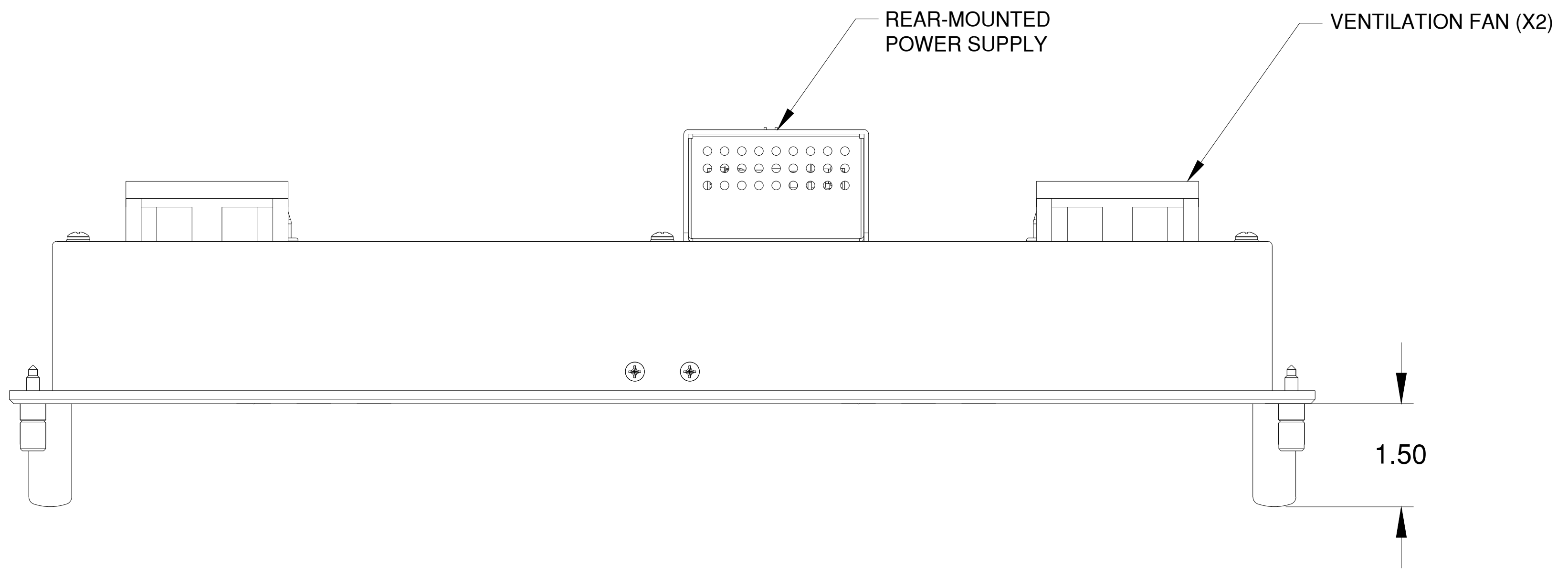


(X) OPTION	UNIT DESCRIPTION
-	SABER RACKMOUNT
S	SABER RACKMOUNT SOLAR
SN	SABER RACKMOUNT SOLAR/NVIS
D	SABER RACKMOUNT DAYLIGHT READABLE

(X)RM-08V-cccc-107-00-27-gg-EA18-000-DUAL



THIS DOCUMENT CONTAINS PROPRIETARY INFORMATION OF GENERAL DIGITAL AND IS NOT TO BE DISCLOSED, REPRODUCED OR PUBLISHED WITHOUT WRITTEN CONSENT FROM GENERAL DIGITAL. THIS DOCUMENT MUST BE RENDERED ILLEGIBLE WHEN BEING DISCARDED. © COPYRIGHT 2013. ALL RIGHTS RESERVED.

UNLESS OTHERWISE SPECIFIED DIMENSIONS ARE IN INCHES
TOLERANCES ARE:
FRACTIONS DECIMALS ANGLES
±1/32 .X ±.050 ±0° 30'
.XX ±.031
.XXX±.020

CONNECTOR CHART		
DESIGNATION	FUNCTION	TYPE
CN1/CN6	DVI-D INPUT	DVI-D
CN2/CN7	ANALOG VIDEO INPUT	DE-15-S
CN3/CN8	S-VIDEO INPUT	4 PIN MINI DIN
CN4/CN9	COMPOSITE VIDEO INPUT	BNC STYLE
CN5	AC INPUT	IEC-320

MECHANICAL OUTLINE ONLY. SPECIFICATIONS SUBJECT TO CHANGE WITHOUT NOTICE. U.O.S. ALL DIMENSIONS ARE IN INCHES.	
APPROVALS	DATE
DRAWN G.L.	24-JUL-13
CHECKED	
APPROVED	
DO NOT SCALE DRAWING	

GD GENERAL DIGITAL
The Innovators of Flat Panel Technology
 8 Nutmeg Road South, South Windsor, CT 06074
 (860) 282-2900 www.GeneralDigital.com

SABER RACKMOUNT DUAL 8.4" VGA MONITOR	
B	CAGE CODE 1JA77
DWG. NO. 14-78	REV -

REV	DATE	ECN	DESCRIPTION	BY