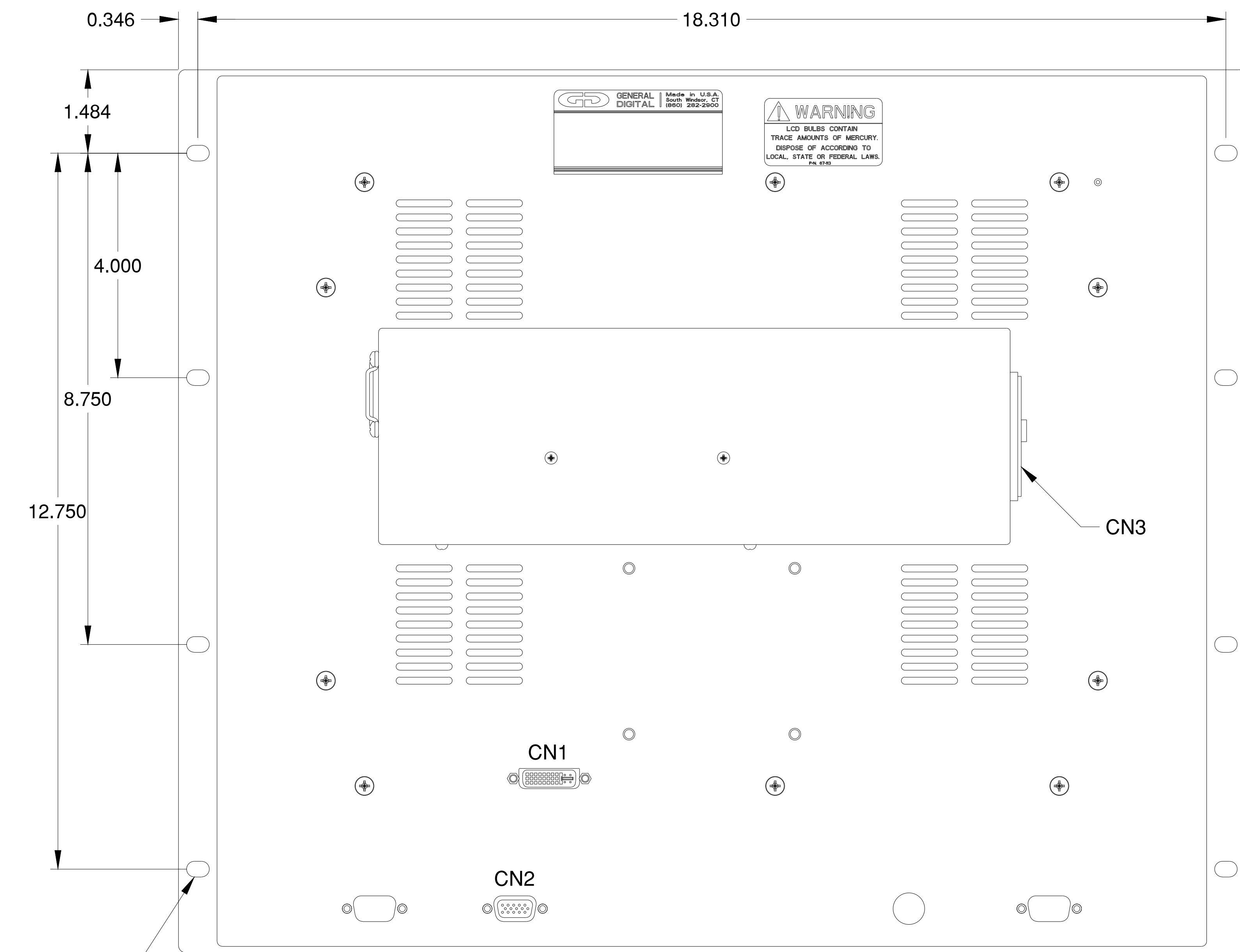
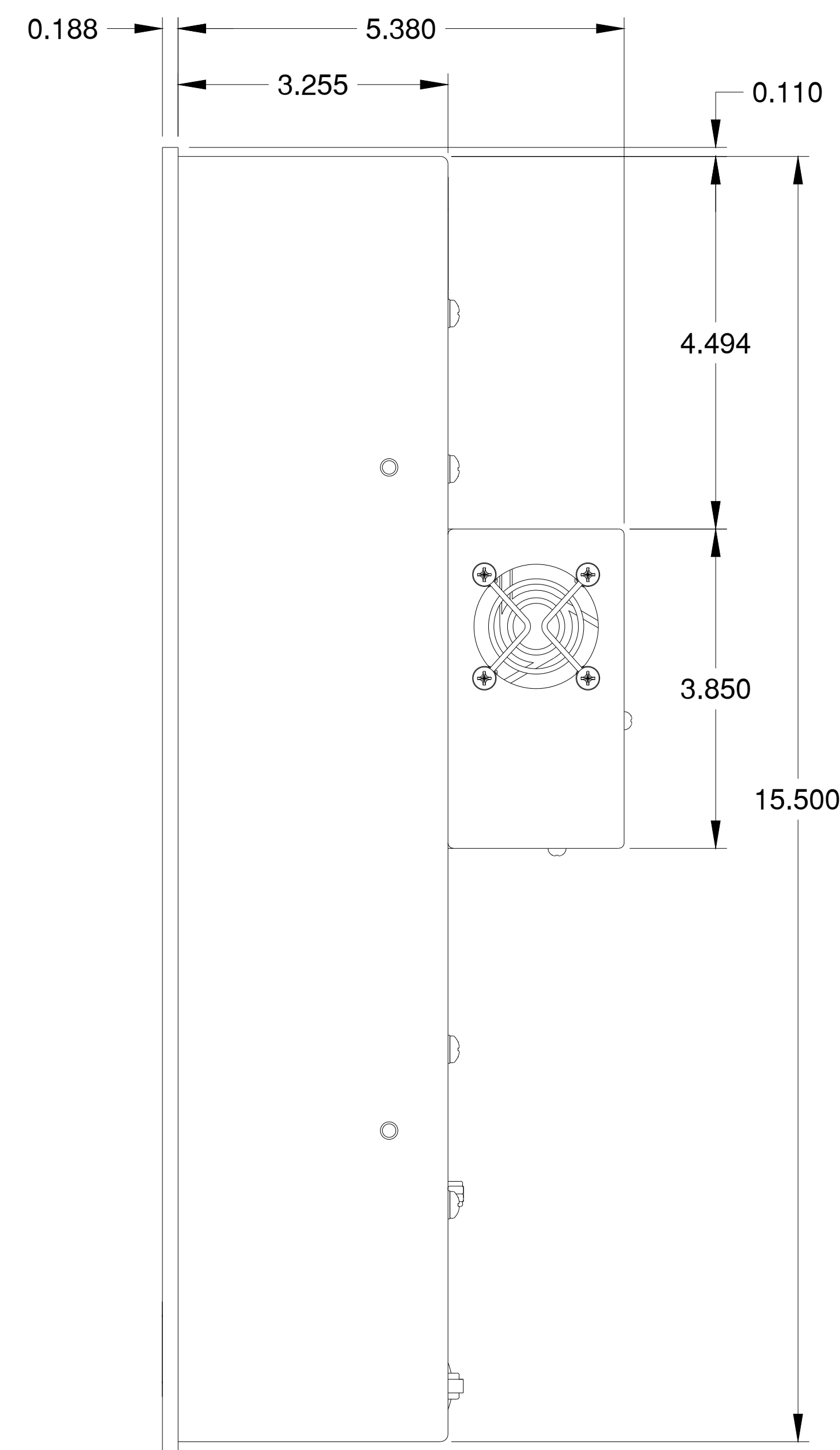
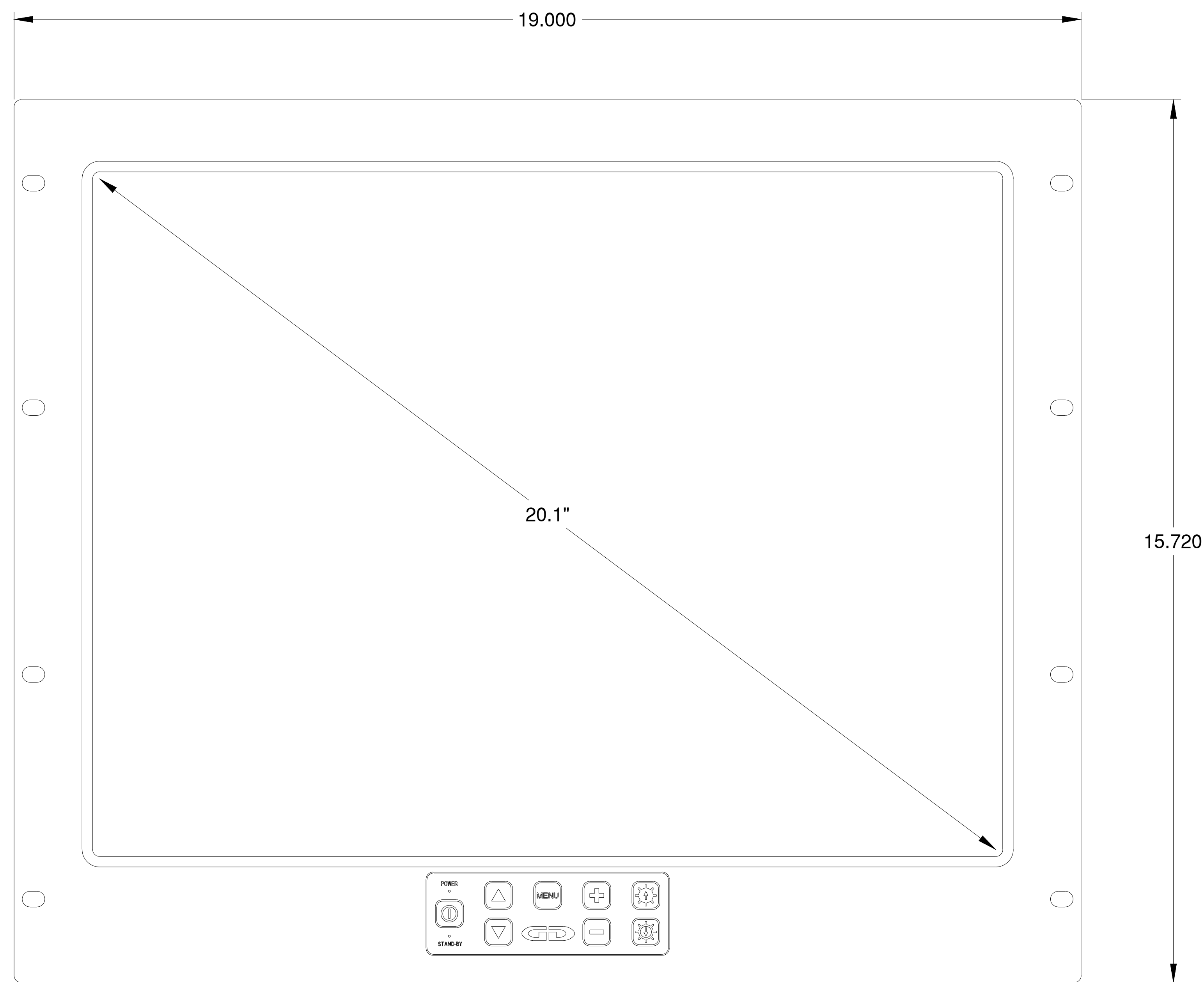
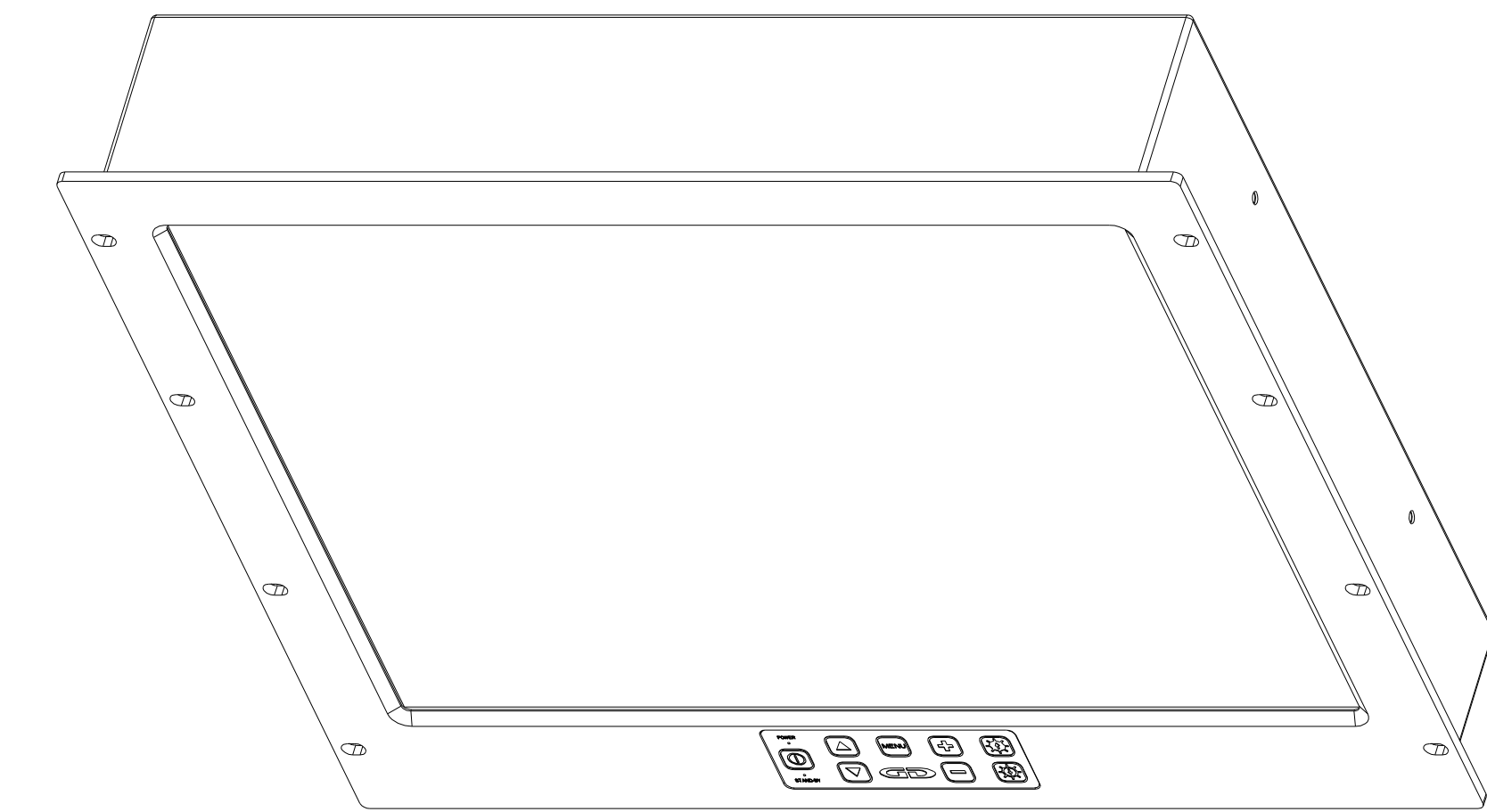
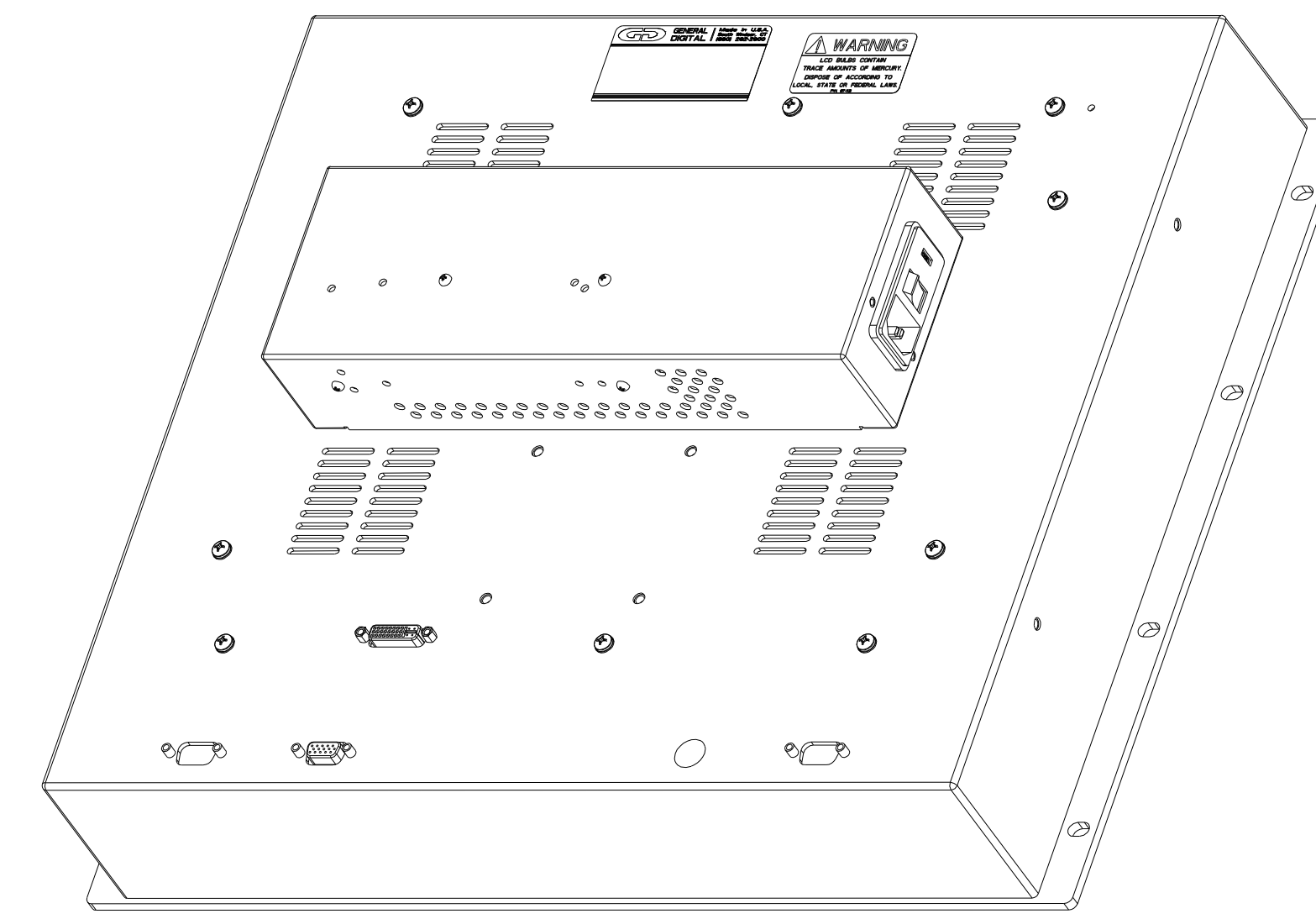
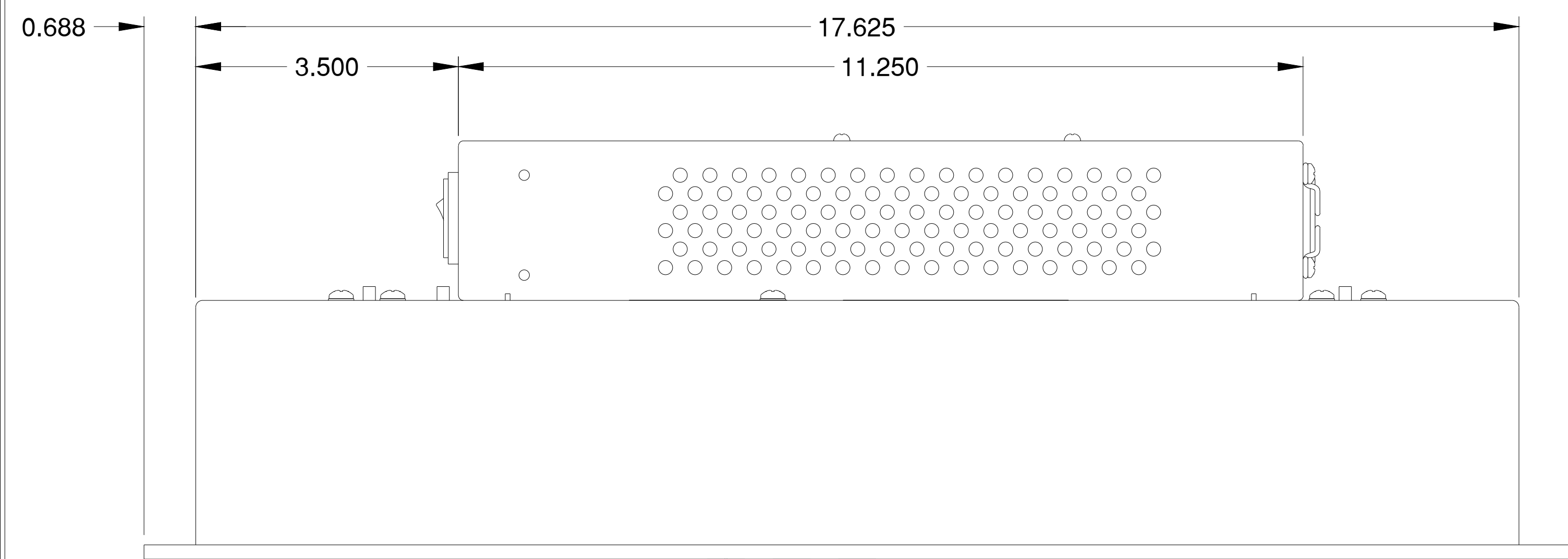


(X) OPTION	UNIT DESCRIPTION
-	SABER RACKMOUNT
S	SABER RACKMOUNT SOLAR
SN	SABER RACKMOUNT SOLAR/NVIS
D	SABER RACKMOUNT DAYLIGHT READABLE

(X)CMR-20U-cccc-107-00-01-gg-EP11



0.26 x 0.41 OBOURD (X8)

THIS DOCUMENT CONTAINS PROPRIETARY INFORMATION OF GENERAL DIGITAL AND IS NOT TO BE DISCLOSED, REPRODUCED OR PUBLISHED WITHOUT WRITTEN CONSENT FROM GENERAL DIGITAL. THIS DOCUMENT MUST BE RENDERED ILLEGIBLE WHEN BEING DISCARDED. © COPYRIGHT 2013. ALL RIGHTS RESERVED.

UNLESS OTHERWISE SPECIFIED DIMENSIONS ARE IN INCHES
TOLERANCES ARE:
FRACTIONS DECIMALS ANGLES
±1/32 .X ±.050 ±0° 30'
.XX ±.031
.XXX±.020

CONNECTOR CHART		
DESIGNATION	FUNCTION	TYPE
CN1	DVI-D INPUT	DVI-D
CN2	ANALOG VIDEO INPUT	DE-15-S
CN3	AC INPUT	IEC-320

MECHANICAL OUTLINE ONLY. SPECIFICATIONS SUBJECT TO CHANGE WITHOUT NOTICE. U.O.S. ALL DIMENSIONS ARE IN INCHES.

APPROVALS		DATE
DRAWN	G.L.	09-Jul-14
CHECKED	T.R.	
APPROVED	B.G.	
DO NOT SCALE DRAWING		



GENERAL DIGITAL
The Innovators of Flat Panel Technology
8 Nutmeg Road South, South Windsor, CT 06074
(860) 282-2900 www.GeneralDigital.com

**SABER RACKMOUNT
20.1" UXGA MONITOR**

REV	DATE	ECN	DESCRIPTION	BY

B	CAGE CODE	DWG. NO.	REV
	1JA77	14-74	-