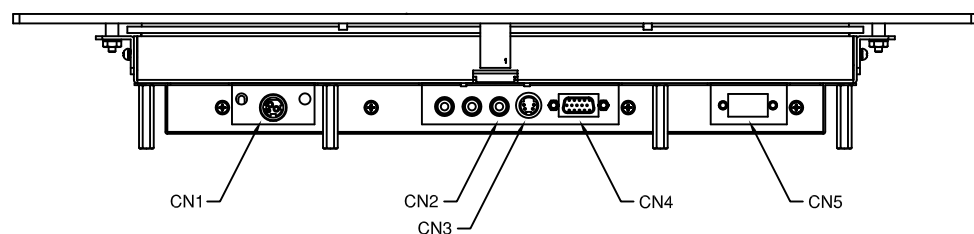
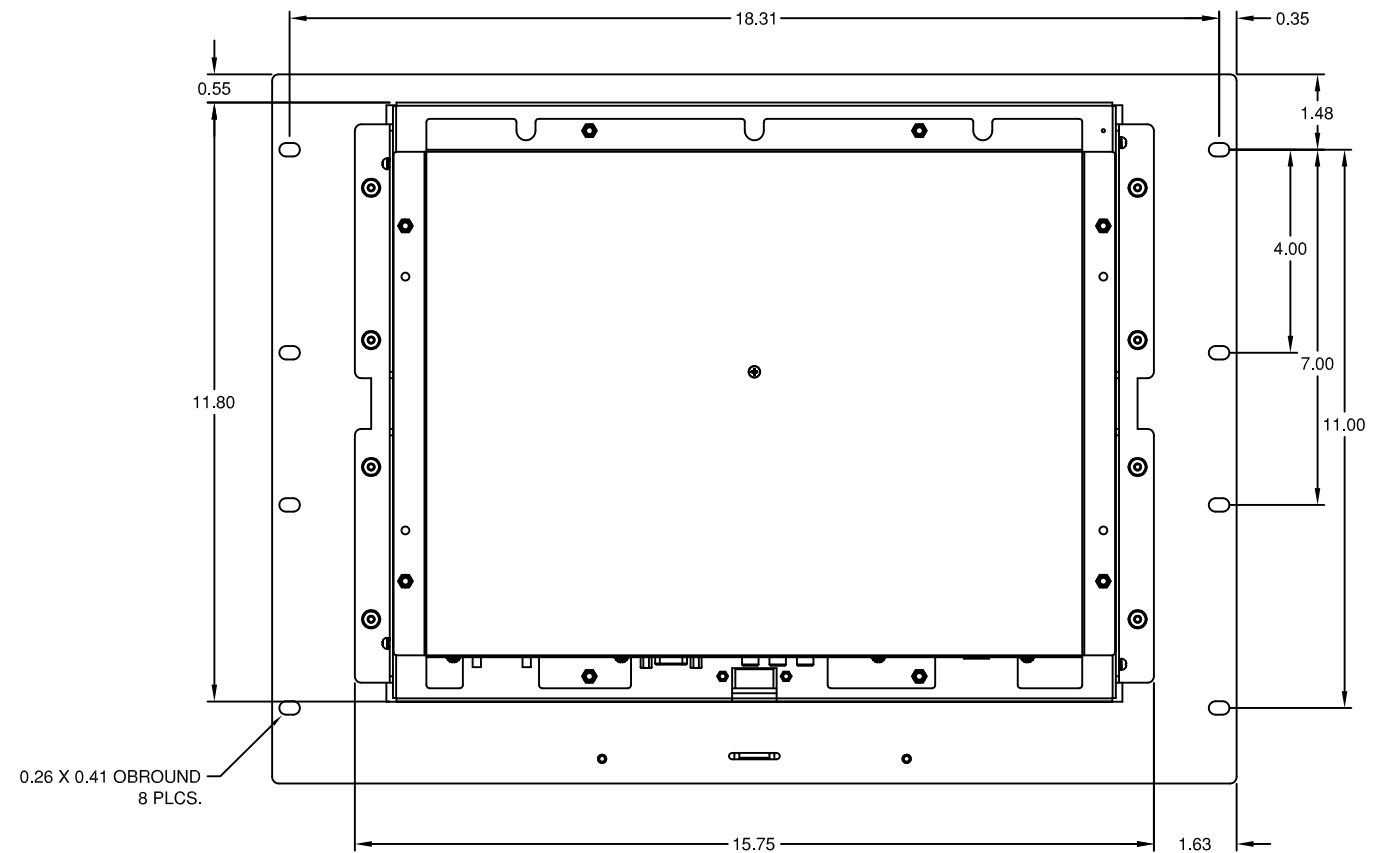
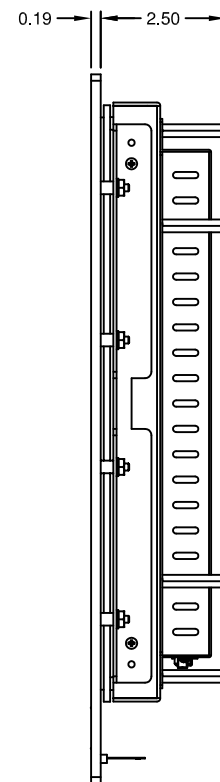
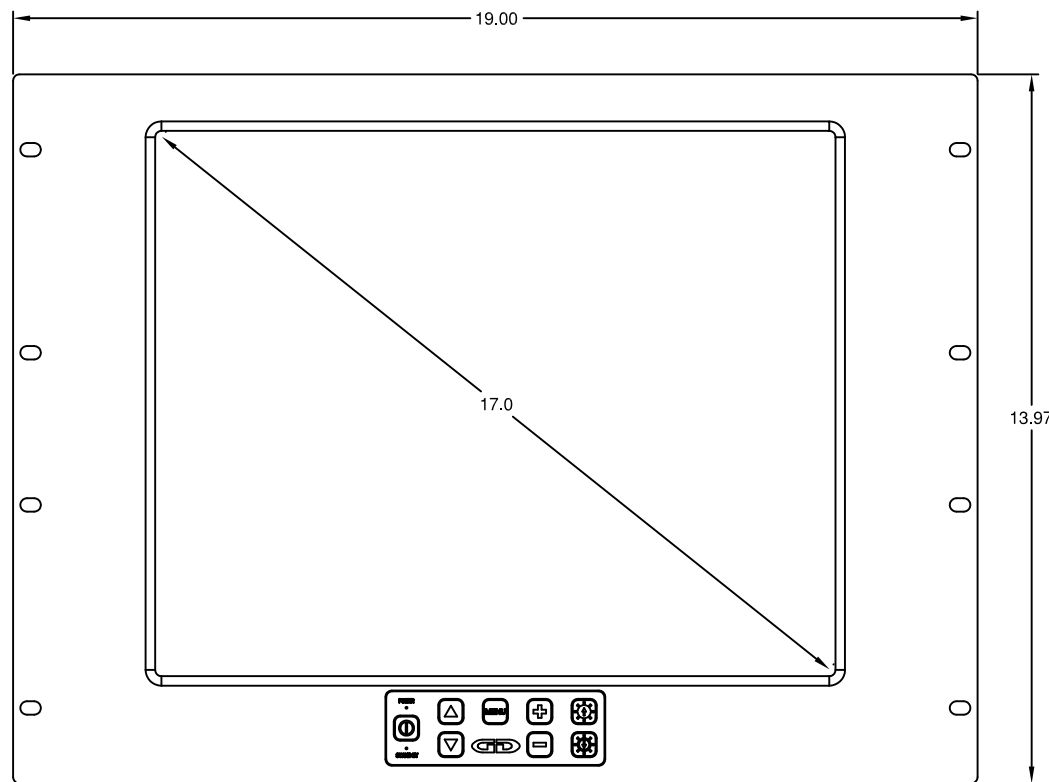
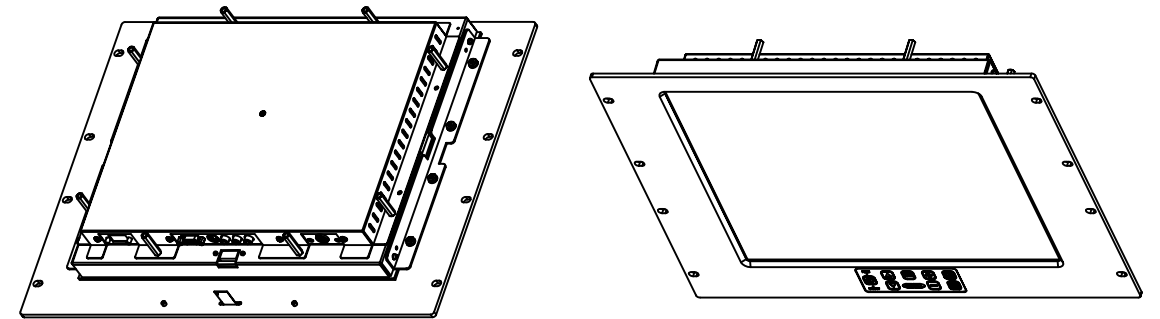
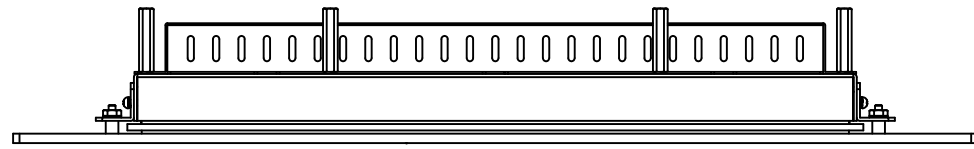


THIS DOCUMENT CONTAINS PROPRIETARY INFORMATION OF GENERAL DIGITAL AND IS NOT TO BE DISCLOSED, REPRODUCED OR PUBLISHED WITHOUT WRITTEN CONSENT FROM GENERAL DIGITAL. THIS DOCUMENT MUST BE RENDERED ILLEGIBLE WHEN BEING DISCARDED. © COPYRIGHT 2003. ALL RIGHTS RESERVED.

CMR-17W-505-08-00-00-gg-0092



| CONNECTOR CHART | | | MECHANICAL OUTLINE ONLY. SPECIFICATIONS SUBJECT TO CHANGE WITHOUT NOTICE. U.O.S. ALL DIMENSIONS ARE IN INCHES. | |
|-----------------|-------------------------|----------------|--|-----------|
| DESIGNATION | FUNCTION | TYPE | APPROVALS | DATE |
| CN1 | +12 VDC INPUT | 3-PIN KYCON | DRAWN | 22-Oct-03 |
| CN2 | COMPOSITE VIDEO INPUT | RCA STYLE | C.P. | 22-Oct-03 |
| CN3 | S-VIDEO INPUT | 4-PIN MINI DIN | T.R. | 22-Oct-03 |
| CN4 | ANALOG VIDEO INPUT | DE-15-S | B.G. | 22-Oct-03 |
| CN5 | SERIAL INPUT (OPTIONAL) | DE-9-P | DO NOT SCALE DRAWING | |

GD GENERAL DIGITAL
The Innovators of Flat Panel Technology
 8 Nutmeg Road South, South Windsor, CT 06074
 (860) 282-2900 www.GeneralDigital.com

RACK MOUNT MONITOR KIT
17.0" SXGA FLAT PANEL MONITOR

| | | | |
|----------|-----------|----------|-----|
| B | CAGE CODE | DWG. NO. | REV |
| | 1JA77 | 03-21 | - |