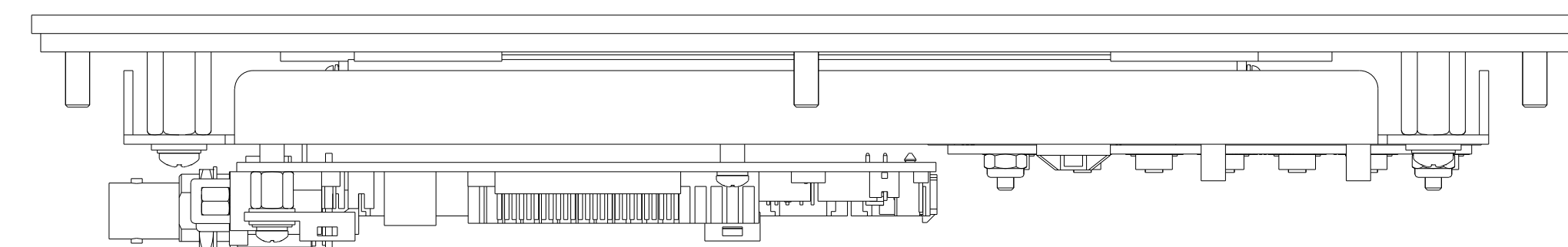
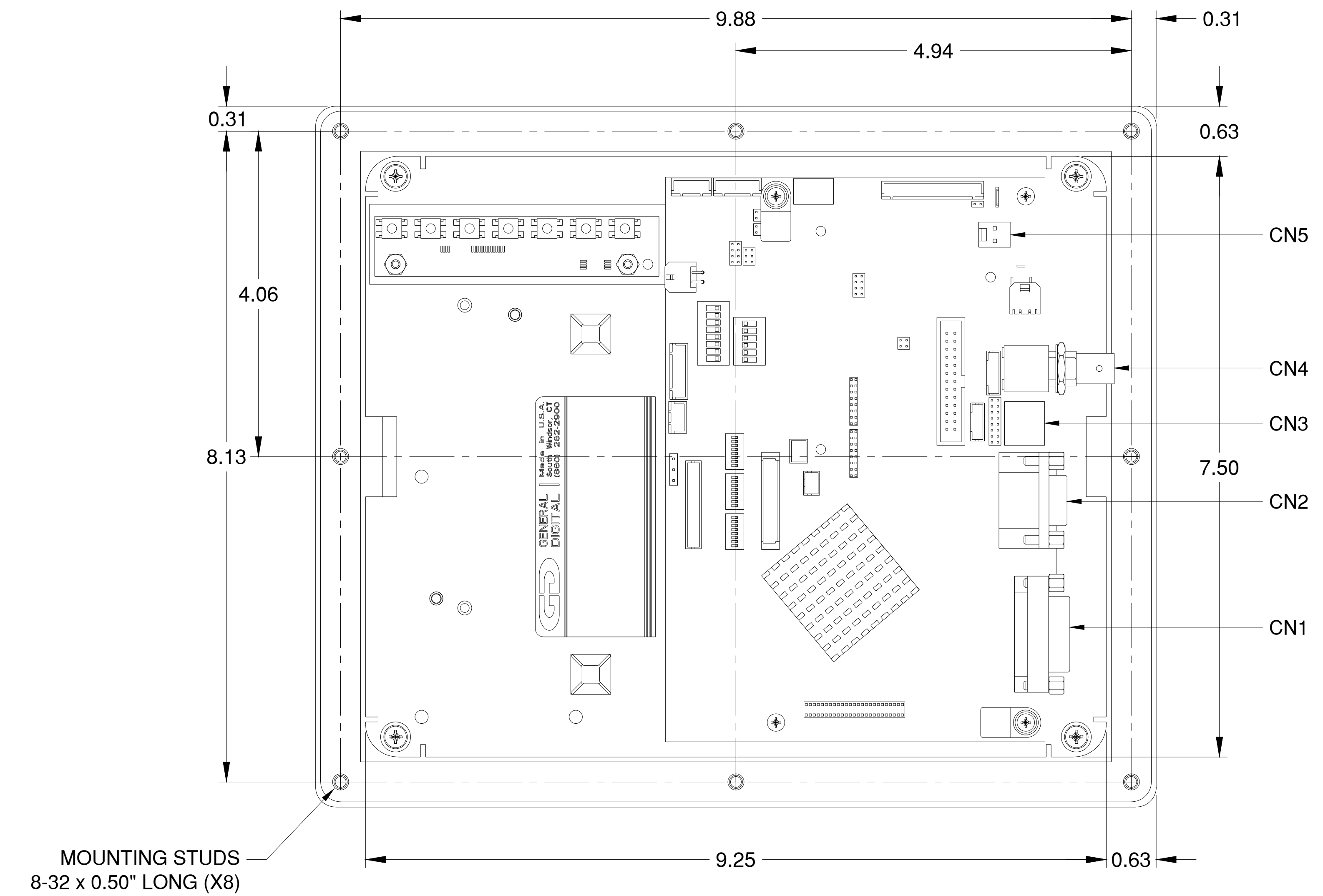
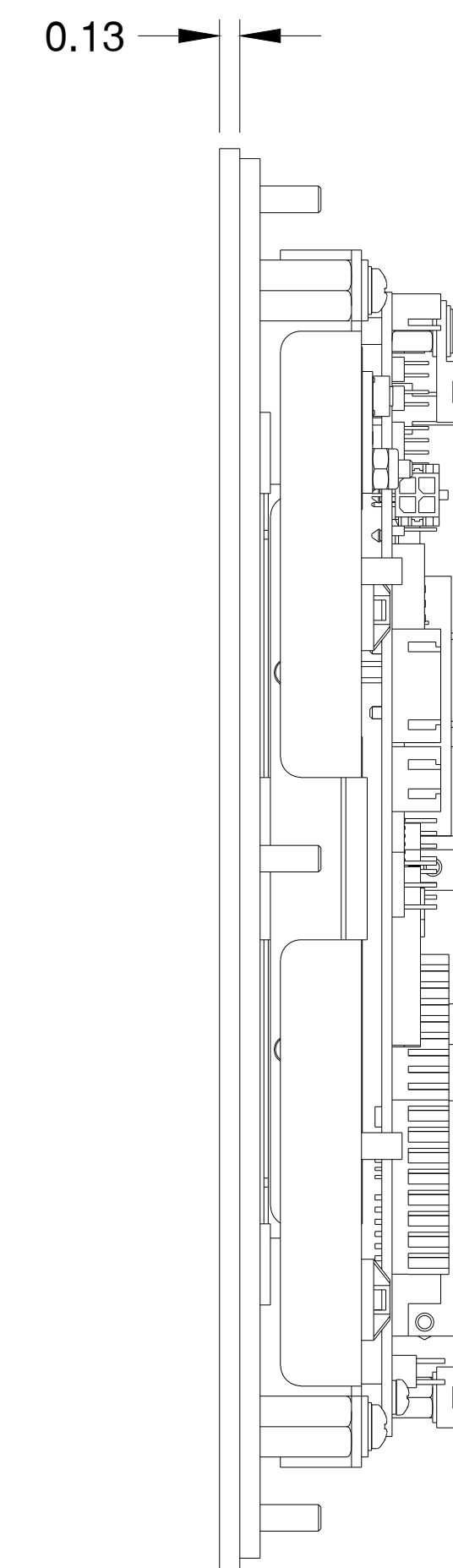
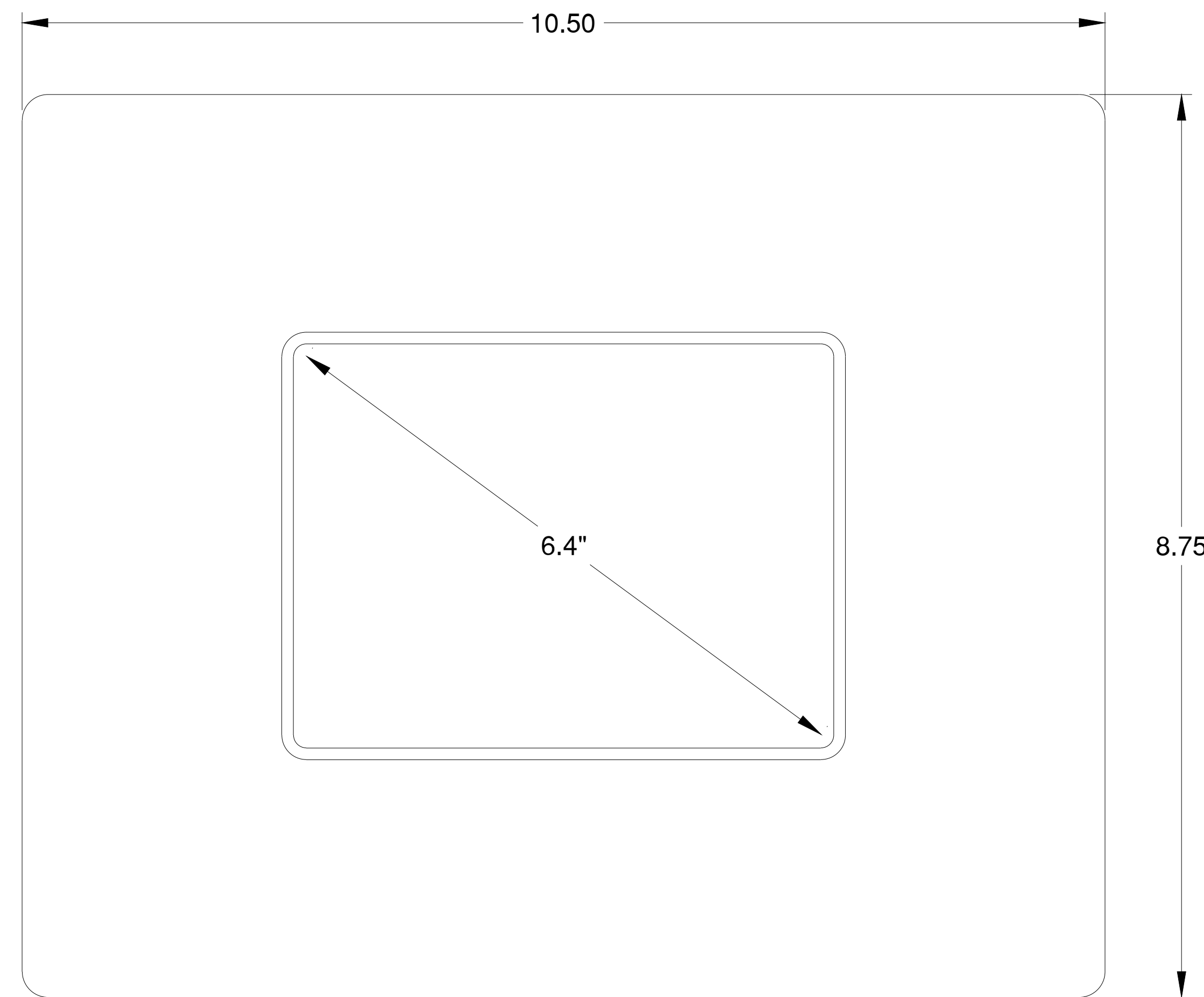
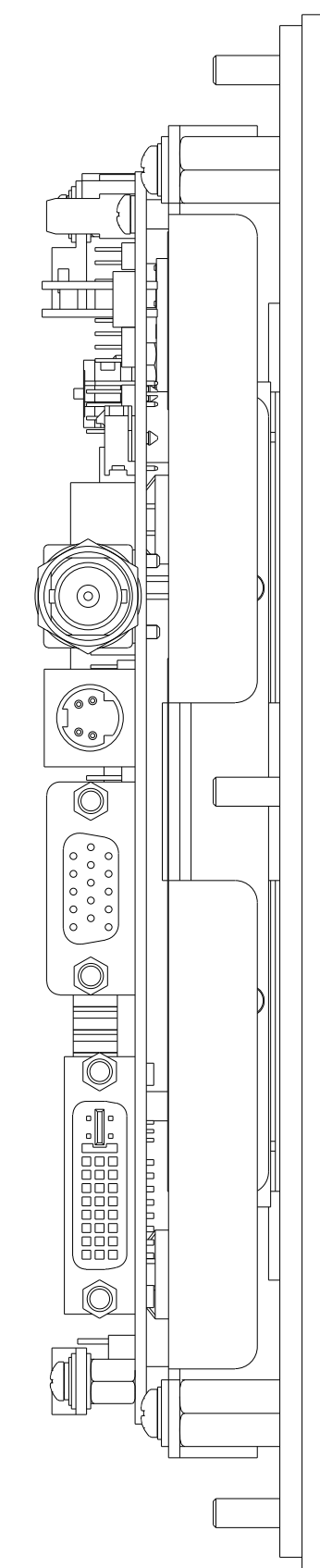
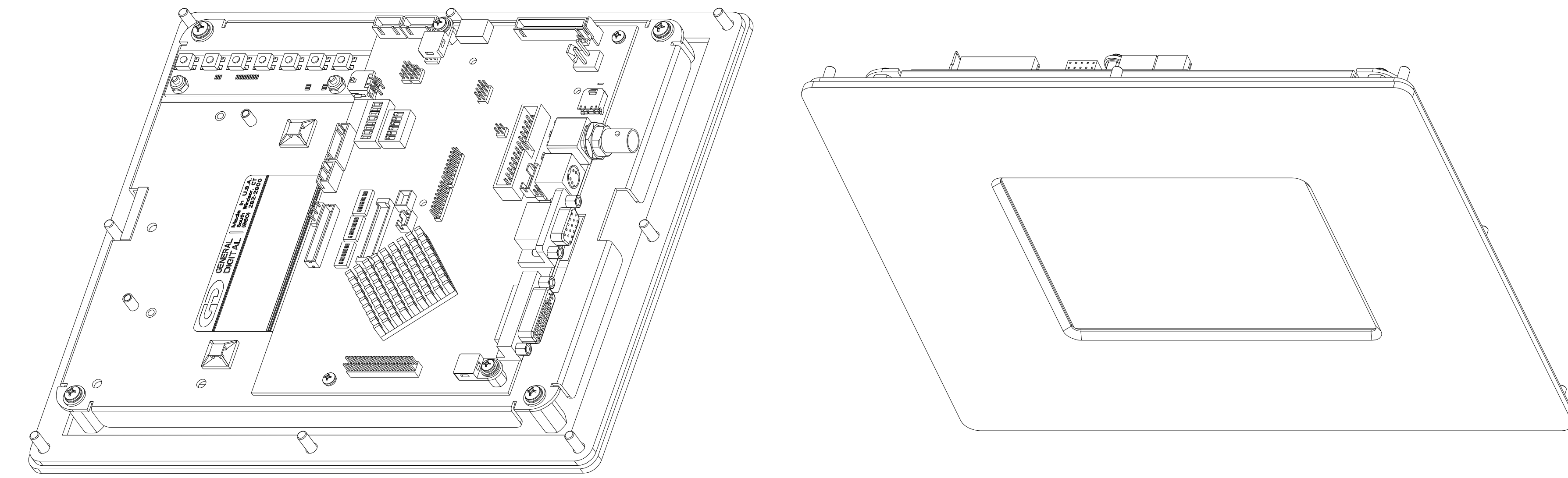
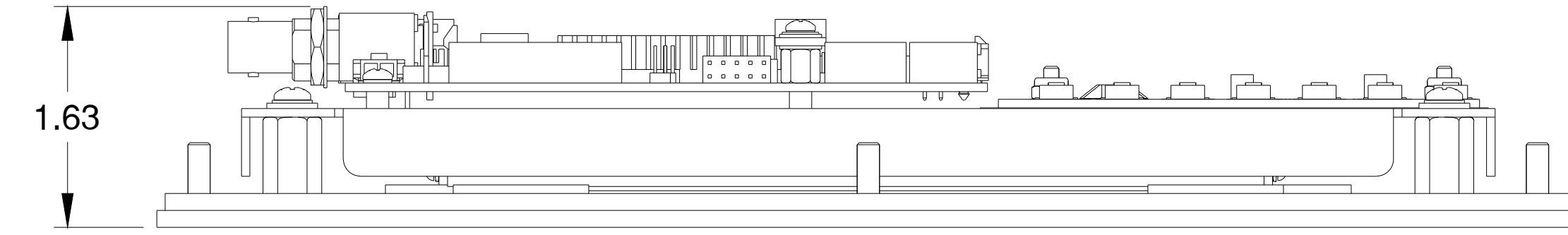


(X) OPTION	UNIT DESCRIPTION
-	SABER PANELMOUNT
S	SABER PANELMOUNT SOLAR
SN	SABER PANELMOUNT SOLAR/NVIS
D	SABER PANELMOUNT DAYLIGHT READABLE

(X)PA-06V-cccc-107-00-00-gg-0092-071



THIS DOCUMENT CONTAINS PROPRIETARY INFORMATION OF GENERAL DIGITAL AND IS NOT TO BE DISCLOSED, REPRODUCED OR PUBLISHED WITHOUT WRITTEN CONSENT FROM GENERAL DIGITAL. THIS DOCUMENT MUST BE RENDERED ILLEGIBLE WHEN BEING DISCARDED. © COPYRIGHT 2010. ALL RIGHTS RESERVED.

UNLESS OTHERWISE SPECIFIED DIMENSIONS ARE IN INCHES
TOLERANCES ARE:
FRACTIONS DECIMALS ANGLES
±1/32 .X ±.050 ±0° 30'
.XX ±.031
.XXX±.020

CONNECTOR CHART		
DESIGNATION	FUNCTION	TYPE
CN1	DVI-D VIDEO INPUT	DVI-D
CN2	ANALOG VIDEO INPUT	DE-15-S
CN3	S-VIDEO INPUT	4-PIN MINI DIN
CN4	COMPOSITE VIDEO INPUT	RCA STYLE
CN5	+12 VDC INPUT	0.156" SPACE 1 x 2 HEADER
CN6		

MECHANICAL OUTLINE ONLY. SPECIFICATIONS SUBJECT TO CHANGE WITHOUT NOTICE. U.O.S. ALL DIMENSIONS ARE IN INCHES.

APPROVALS		DATE
DRAWN	C.P.	29-Nov-10
CHECKED	T.R.	29-Nov-10
APPROVED	B.G.	29-Nov-10
DO NOT SCALE DRAWING		



The Innovators of Flat Panel Technology
8 Nutmeg Road South, South Windsor, CT 06074
(860) 282-2900 www.GeneralDigital.com

**SABER PANELMOUNT
6.4" VGA MONITOR**

REV	DATE	ECN	DESCRIPTION	BY
A	08-Jul-14	-	ADDED DISPLAY OPTIONS TABLE	GL

B	CAGE CODE 1JA77	DWG. NO. 10-41	REV A
----------	--------------------	-------------------	----------