

(X) OPTION	UNIT DESCRIPTION
-	SABER PANELMOUNT
S	SABER PANELMOUNT SOLAR
SN	SABER PANELMOUNT SOLAR/NVIS
D	SABER PANELMOUNT DAYLIGHT READABLE

(X)PA-06V-cccc-100-00-00-gg-0092-098

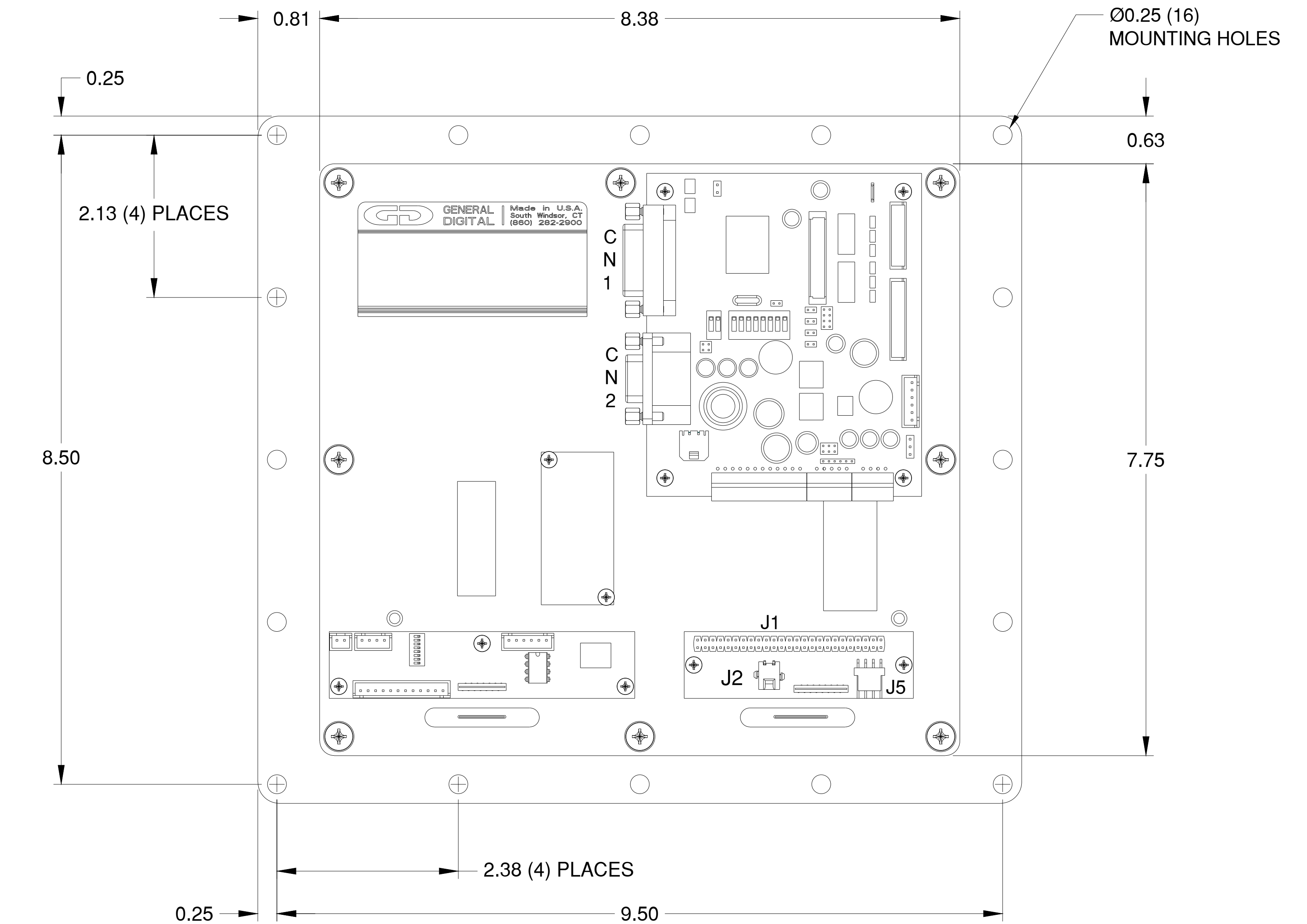
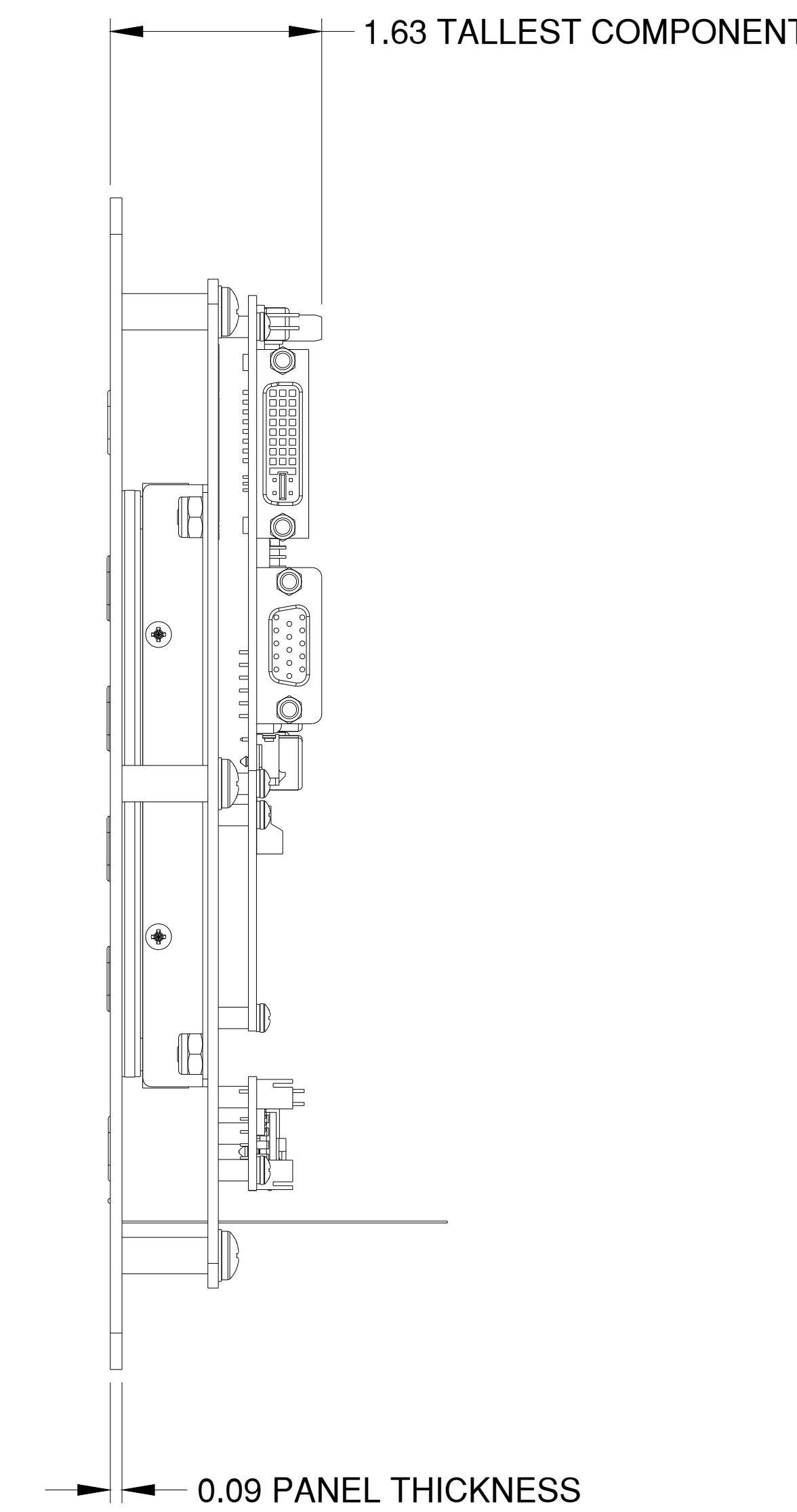
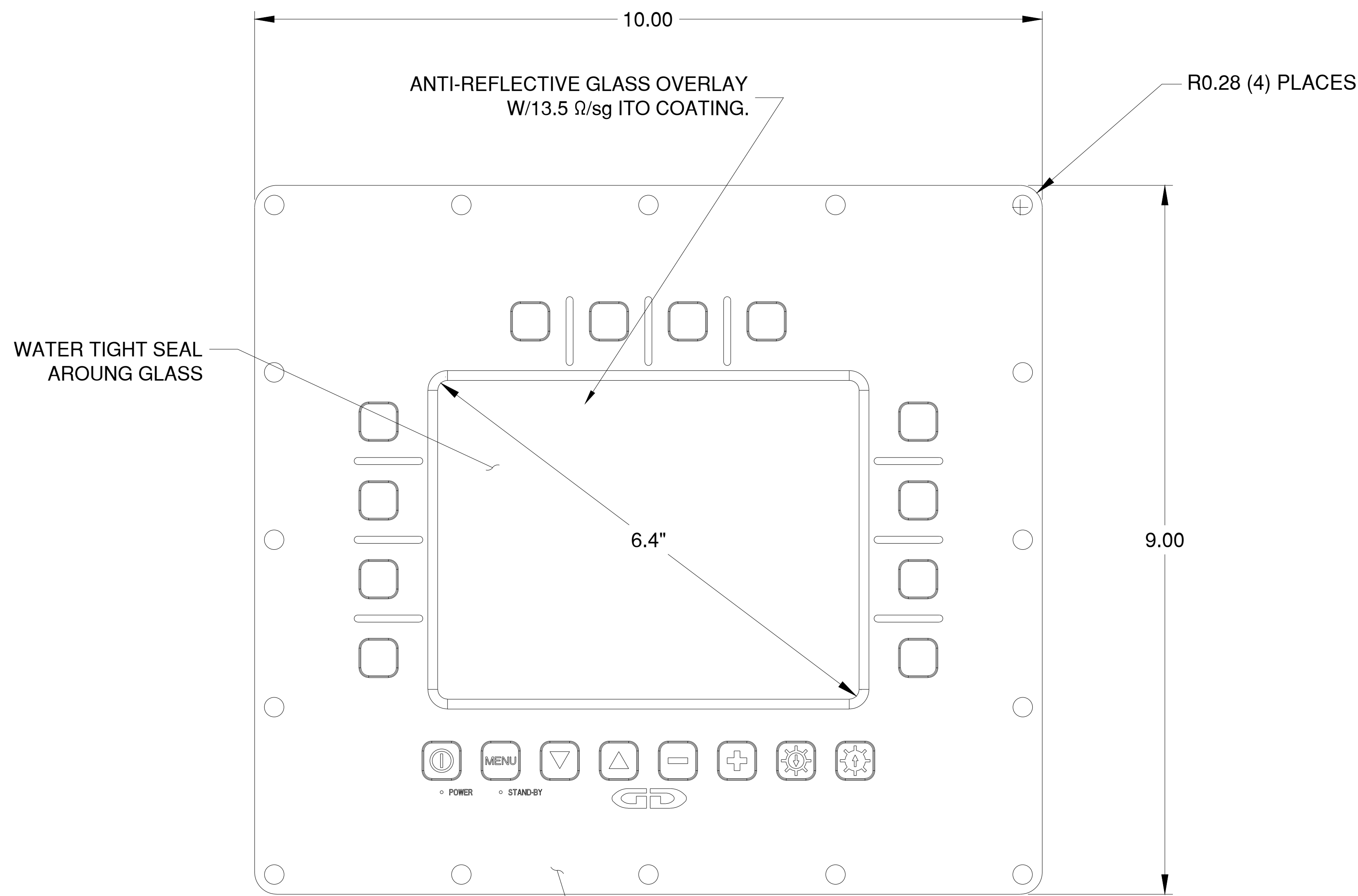
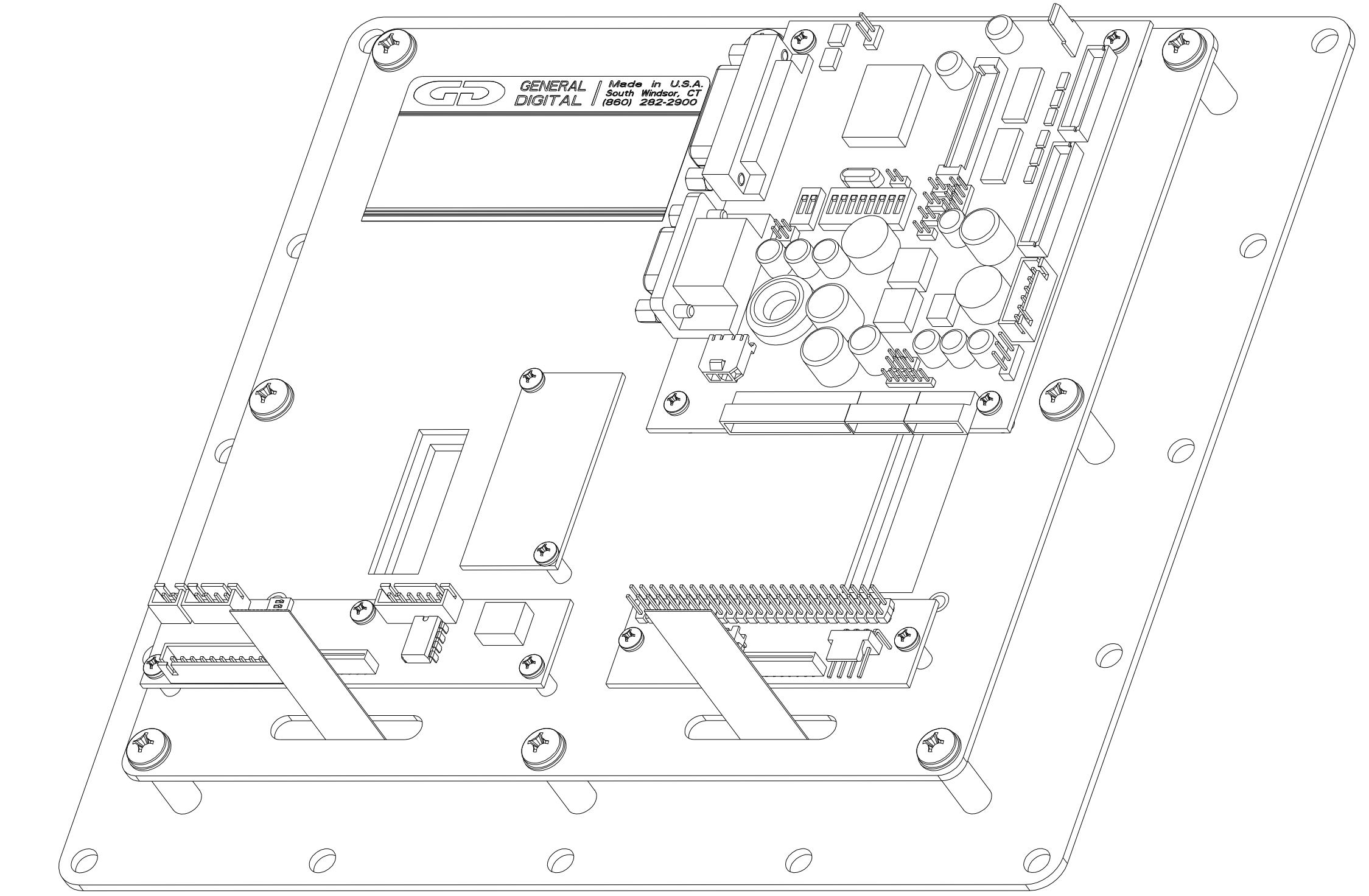
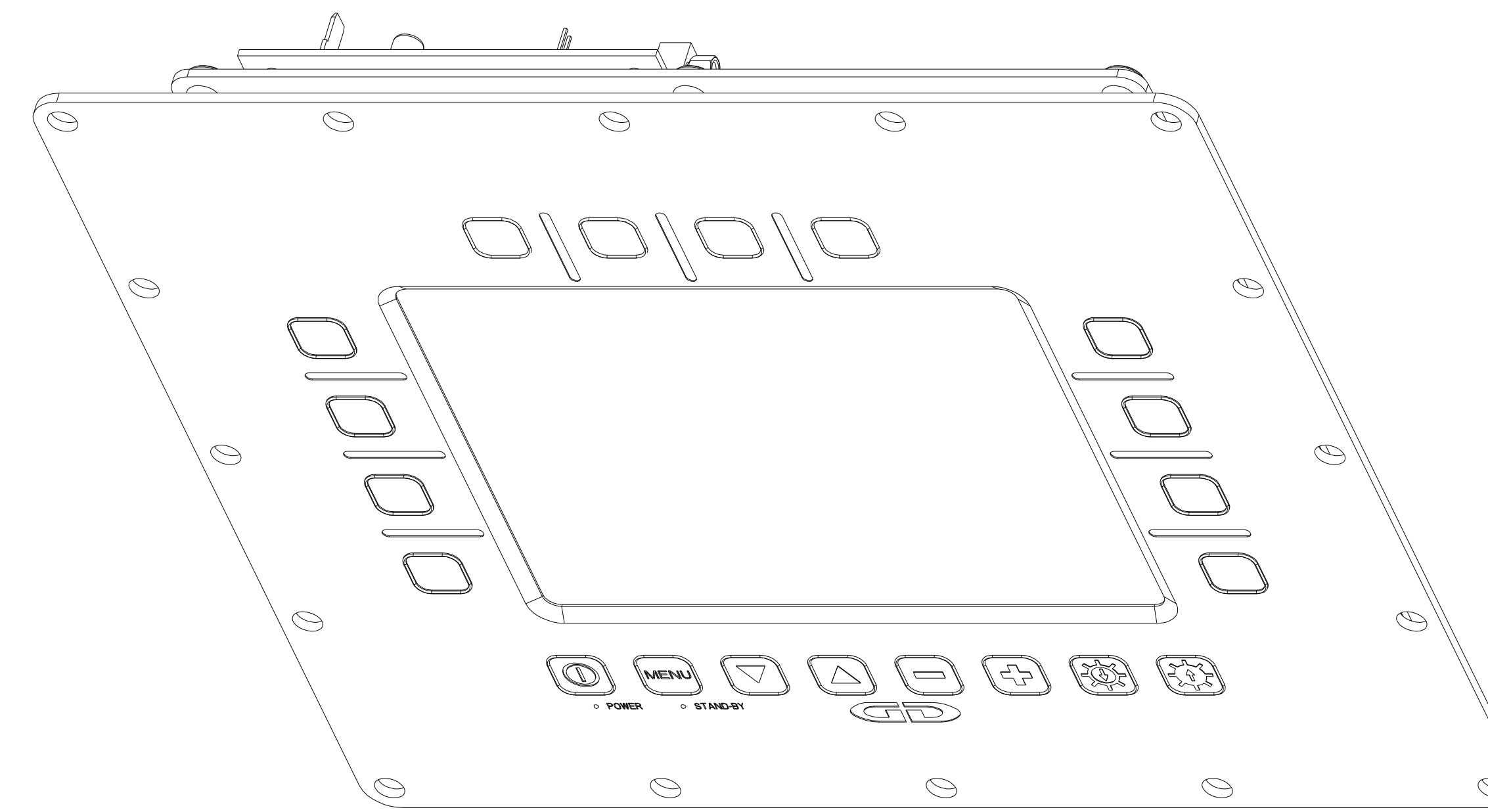
J1 KEYPAD CIRCUIT LOGIC MOLEX 90131-0145 2x25 .1sp HEADER													
PIN#	L1	L2	L3	L4	T1	T2	T3	T4	R1	R2	R3	R4	
20	28	26	24	22	18	16	14	12	10	8	6	4	

J2 - HOST POWER CONTROL CONNECTOR: AMP 171826-4

FLOPPY POWER CONTROL	
PIN	SIGNAL
1	POWER BUTTON
2	GND
3	ON/OFF
4	GND

J5 - INPUT POWER CONNECTOR: AMP 2-1445055-2

PIN	SIGNAL
1	+12VDC
2	GND



KEYPAD, MEMBRANE, FRONT PANEL  
8 KEY TACTILE, (3) COLOR OVERLAY,  
2 LEDs, W/ 12 ADDITIONAL CUSTOMER  
DESIGNATED KEYS.

THIS DOCUMENT CONTAINS PROPRIETARY INFORMATION OF GENERAL DIGITAL AND IS NOT TO BE DISCLOSED, REPRODUCED OR PUBLISHED WITHOUT WRITTEN CONSENT FROM GENERAL DIGITAL. THIS DOCUMENT MUST BE RENDERED ILLEGIBLE WHEN BEING DISCARDED. © COPYRIGHT 2012. ALL RIGHTS RESERVED.

UNLESS OTHERWISE SPECIFIED DIMENSIONS ARE IN INCHES  
TOLERANCES ARE:  
FRACTIONS DECIMALS ANGLES  
±1/32 .X ±.050 ±0° 30'  
.XX ±.031  
.XXX±.020

### CONNECTOR CHART

DESIGNATION	FUNCTION	TYPE
CN1	DVI	DVI SOCKET
CN2	RGB	DE-15-S
J1	KEYPAD LOGIC	SEE CHART
J2	HOST POWER	SEE NOTES
J5	INPUT POWER	SEE NOTES

MECHANICAL OUTLINE ONLY. SPECIFICATIONS SUBJECT TO CHANGE WITHOUT NOTICE. U.O.S. ALL DIMENSIONS ARE IN INCHES.

APPROVALS		DATE
DRAWN	FA	30-Jun-11
CHECKED	T.R.	
APPROVED	B.G.	

DO NOT SCALE DRAWING



The Innovators of Flat Panel Technology  
8 Nutmeg Road South, South Windsor, CT 06074  
(860) 282-2900 www.GeneralDigital.com

SABER PANELMOUNT  
6.4" VGA MONITOR

REV	DATE	ECN	DESCRIPTION	BY	CAGE CODE	DWG. NO.	REV
C	08-Jul-14	-	ADDED DISPLAY OPTIONS TABLE	GL	1JA77	11-27	C
B	08-Mar-12	-	REVISED PER LATEST CUSTOMER REQUEST	FA			

REV	DATE	ECN	DESCRIPTION	BY
C	08-Jul-14	-	ADDED DISPLAY OPTIONS TABLE	GL
B	08-Mar-12	-	REVISED PER LATEST CUSTOMER REQUEST	FA