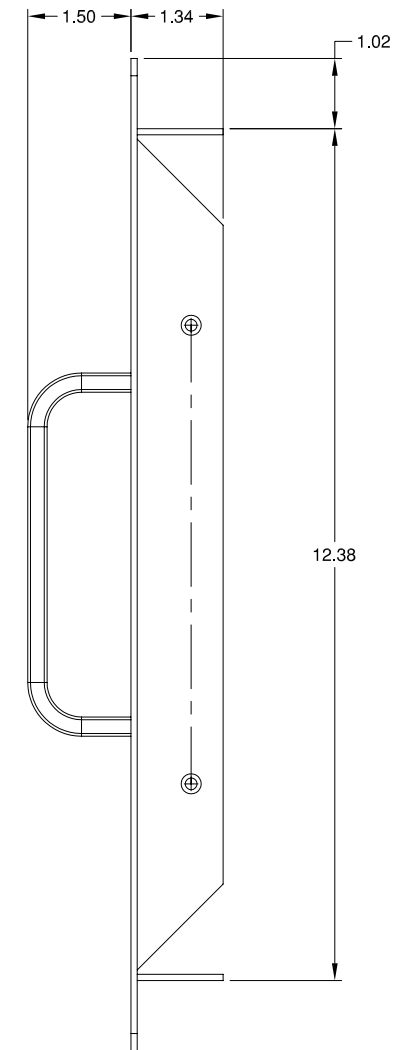
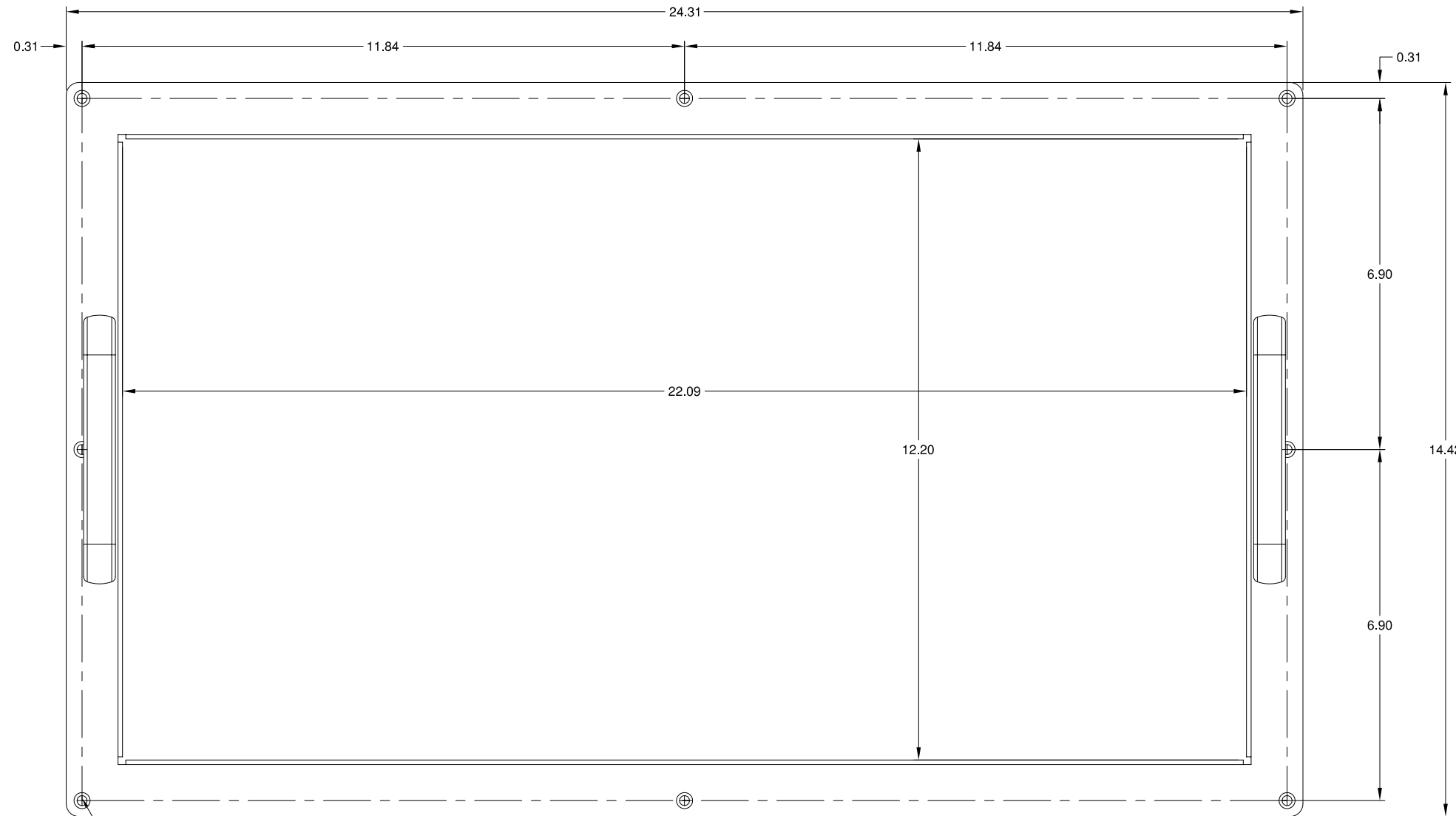
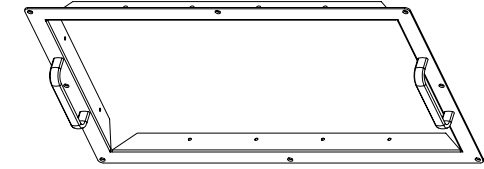
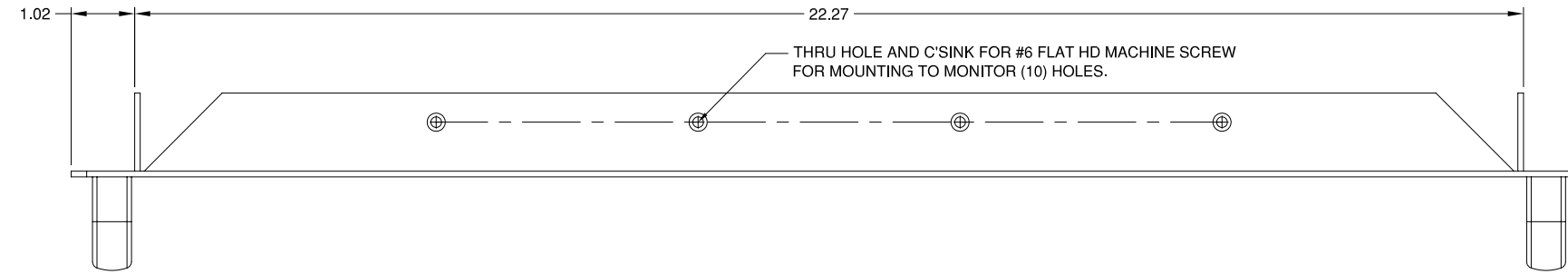


90-1204-008



THRU HOLE AND C'SINK FOR #8 FLAT HD MACHINE SCREW (8) HOLES

CUSTOMER APPROVAL	
COMPANY	NAME (PRINT)
DATE	SIGNATURE

THIS DOCUMENT CONTAINS PROPRIETARY INFORMATION OF GENERAL DIGITAL AND IS NOT TO BE DISCLOSED, REPRODUCED OR PUBLISHED WITHOUT WRITTEN CONSENT FROM GENERAL DIGITAL. THIS DOCUMENT MUST BE RENDERED ILLEGIBLE WHEN BEING DISCARDED. © COPYRIGHT 2011. ALL RIGHTS RESERVED.

UNLESS OTHERWISE SPECIFIED DIMENSIONS ARE IN INCHES TOLERANCES ARE:
 FRACTIONS DECIMALS ANGLES
 ±1/32 .X ±.050 ±0° 30'
 .XX ±.031
 .XXX±.020

CONNECTOR CHART		
DESIGNATION	FUNCTION	TYPE

MECHANICAL OUTLINE ONLY. SPECIFICATIONS SUBJECT TO CHANGE WITHOUT NOTICE. U.O.S. ALL DIMENSIONS ARE IN INCHES.	
APPROVALS	DATE
DRAWN FA	5-25-11
CHECKED T.R.	
APPROVED B.G.	
DO NOT SCALE DRAWING	

GD GENERAL DIGITAL
The Innovators of Flat Panel Technology
 8 Nutmeg Road South, South Windsor, CT 06074
 (860) 282-2900 www.GeneralDigital.com

90-1204-008
 21.5" PANEL MOUNT BRACKET ASSY

REV	DATE	ECN	DESCRIPTION	BY

B	CAGE CODE	DWG. NO.	REV
	1JA77	11-17	-