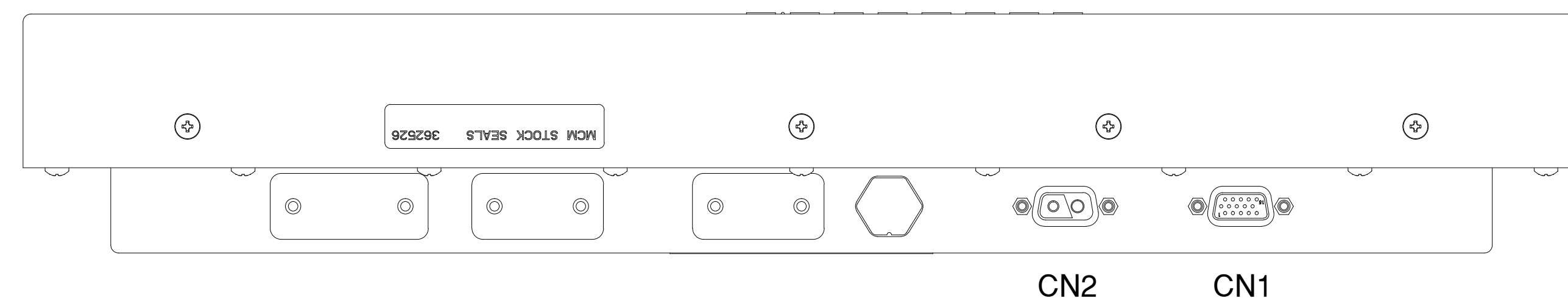
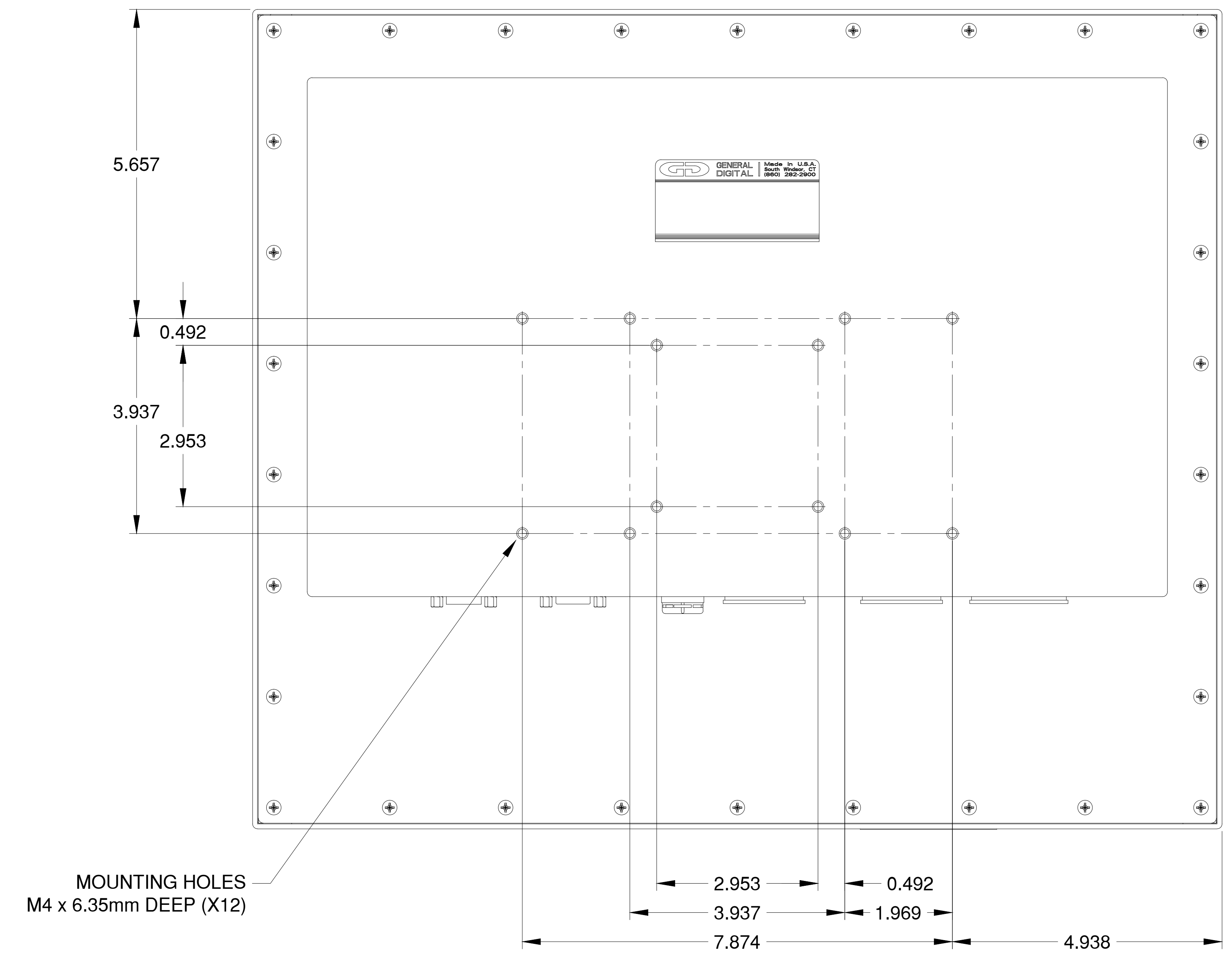
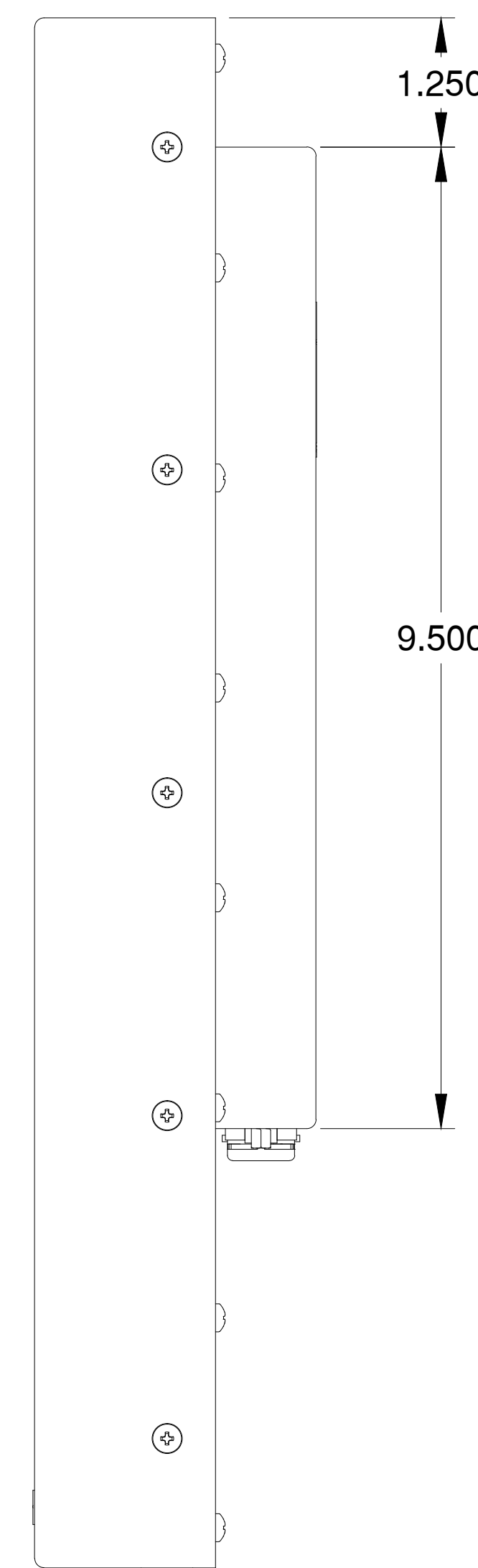
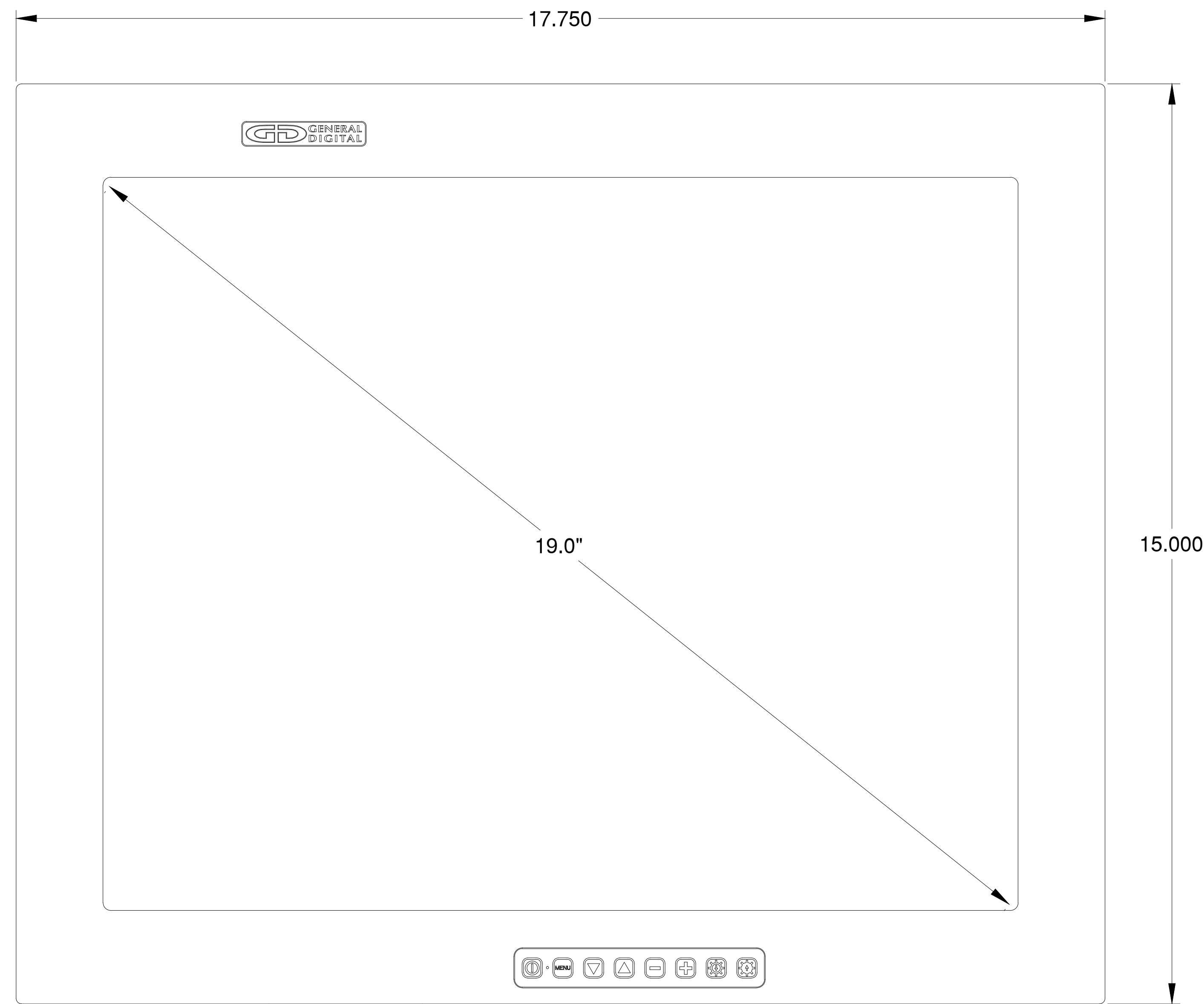
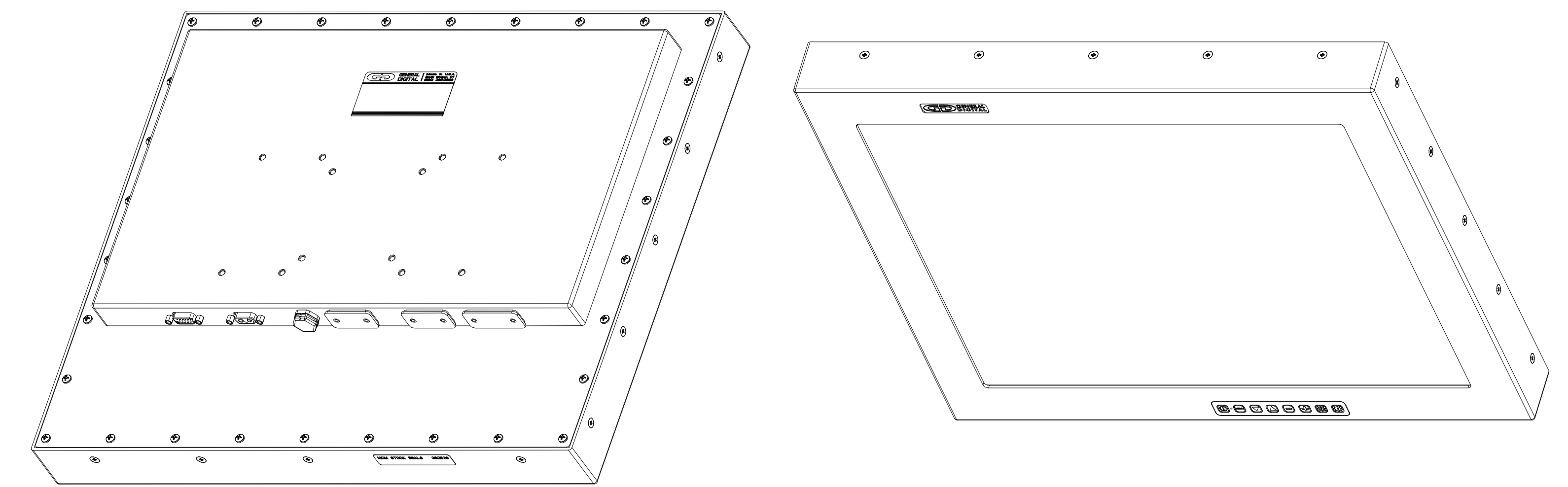
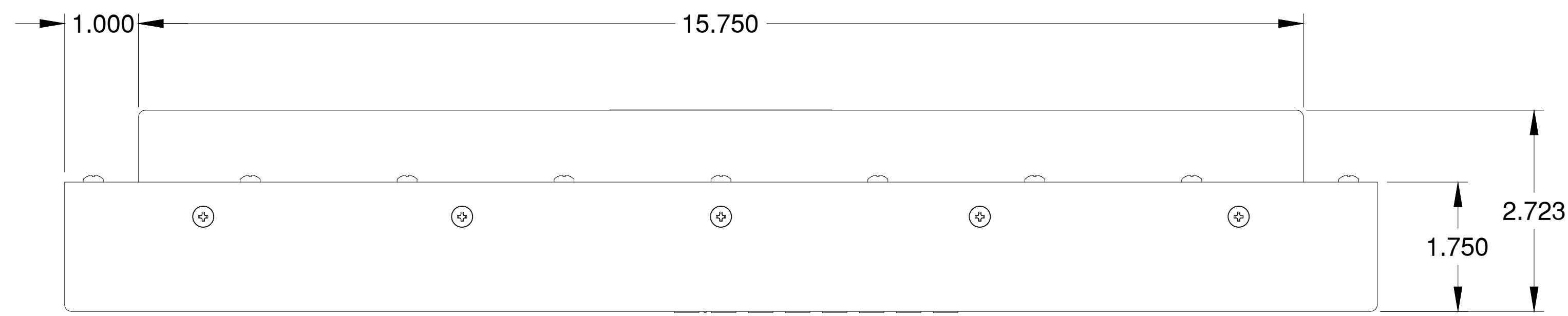


(X) OPTION	UNIT DESCRIPTION
-	BARRACUDA STANDALONE
S	BARRACUDA STANDALONE SOLAR
SN	BARRACUDA STANDALONE SOLAR/NVIS
D	BARRACUDA STANDALONE DAYLIGHT READABLE

(X)BS-19W-cccc-107-00-15-02-0092-000



THIS DOCUMENT CONTAINS PROPRIETARY INFORMATION OF GENERAL DIGITAL AND IS NOT TO BE DISCLOSED, REPRODUCED OR PUBLISHED WITHOUT WRITTEN CONSENT FROM GENERAL DIGITAL. THIS DOCUMENT MUST BE RENDERED ILLEGIBLE WHEN BEING DISCARDED. © COPYRIGHT 2013. ALL RIGHTS RESERVED.

UNLESS OTHERWISE SPECIFIED DIMENSIONS ARE IN INCHES
TOLERANCES ARE:
FRACTIONS DECIMALS ANGLES
±1/32 .X ±.050 ±0° 30'
.XX ±.031
.XXX±.020

CONNECTOR CHART

DESIGNATION	FUNCTION	TYPE
CN1	ANALOG VIDEO INPUT	DE-15-S
CN2	+12 VDC INPUT	DE-2W2-S

MECHANICAL OUTLINE ONLY. SPECIFICATIONS SUBJECT TO CHANGE WITHOUT NOTICE. U.O.S. ALL DIMENSIONS ARE IN INCHES.

APPROVALS	DATE
DRAWN G.L.	30-Apr-14
CHECKED T.R.	
APPROVED B.G.	

GD GENERAL DIGITAL
The Innovators of Flat Panel Technology
 8 Nutmeg Road South, South Windsor, CT 06074
 (860) 282-2900 www.GeneralDigital.com

BARRACUDA STANDALONE
19.0" SXGA MONITOR

B	CAGE CODE	DWG. NO.	REV
	1JA77	14-51	-

REV	DATE	ECN	DESCRIPTION	BY

DO NOT SCALE DRAWING