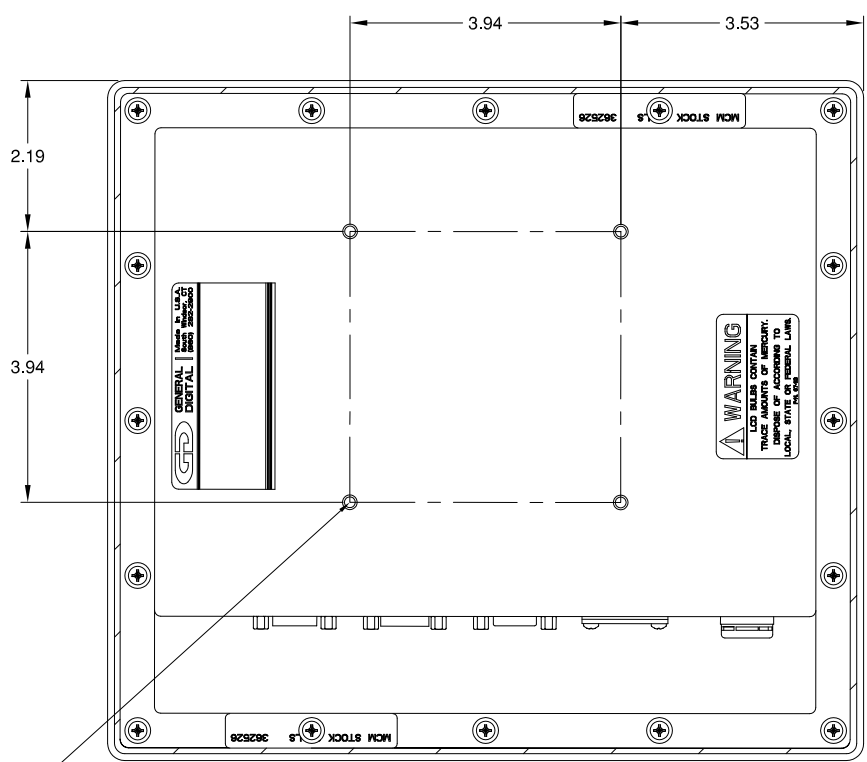
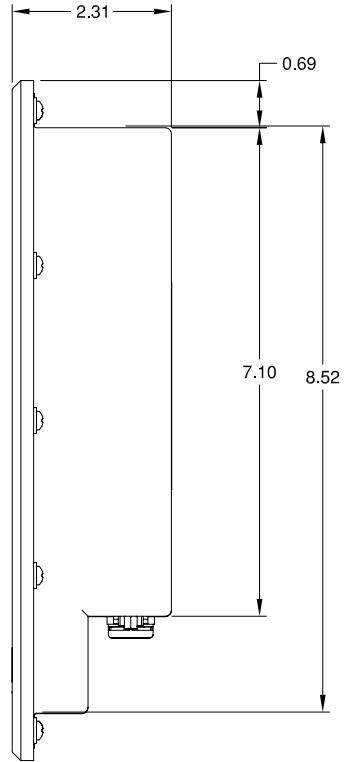
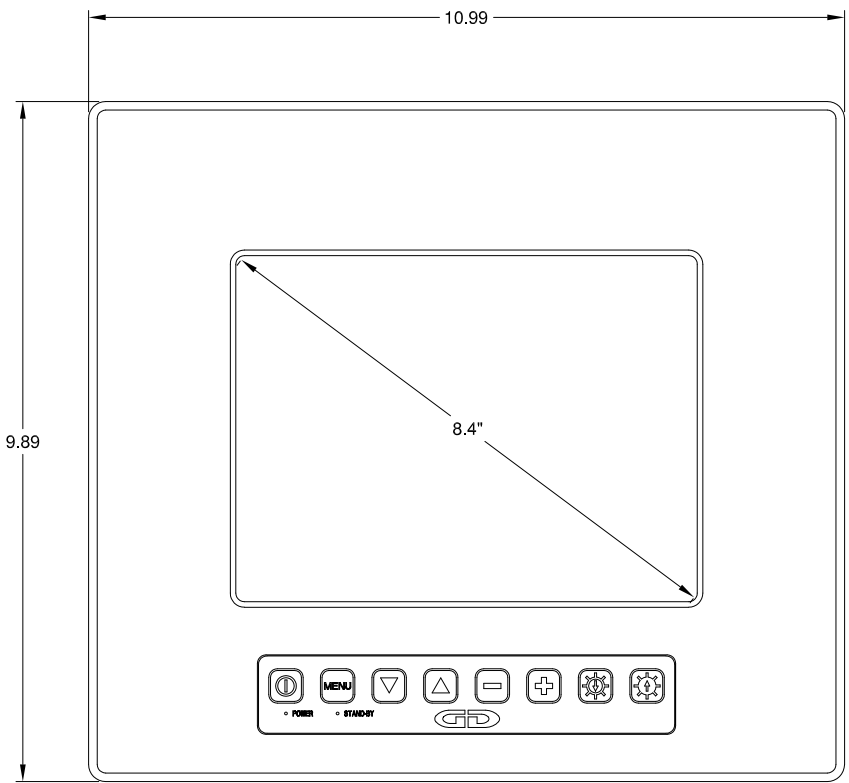
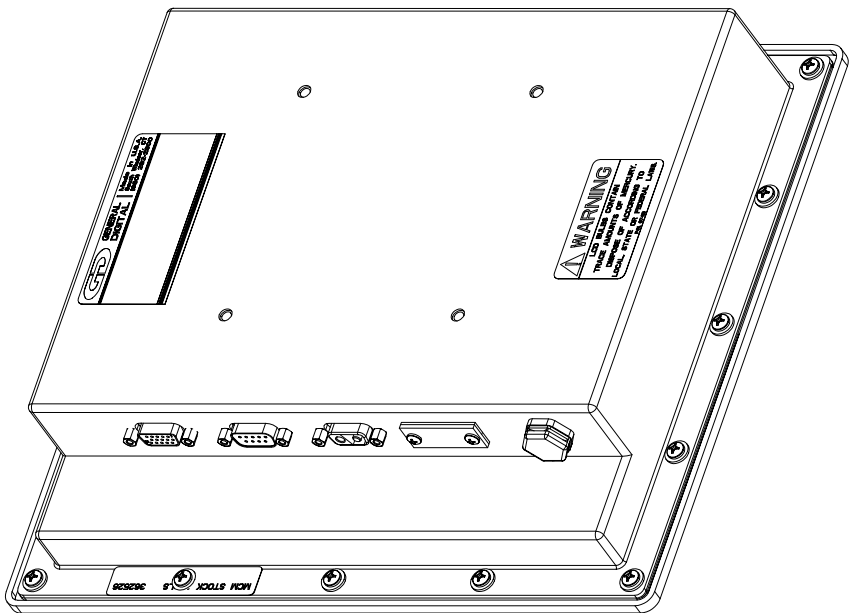
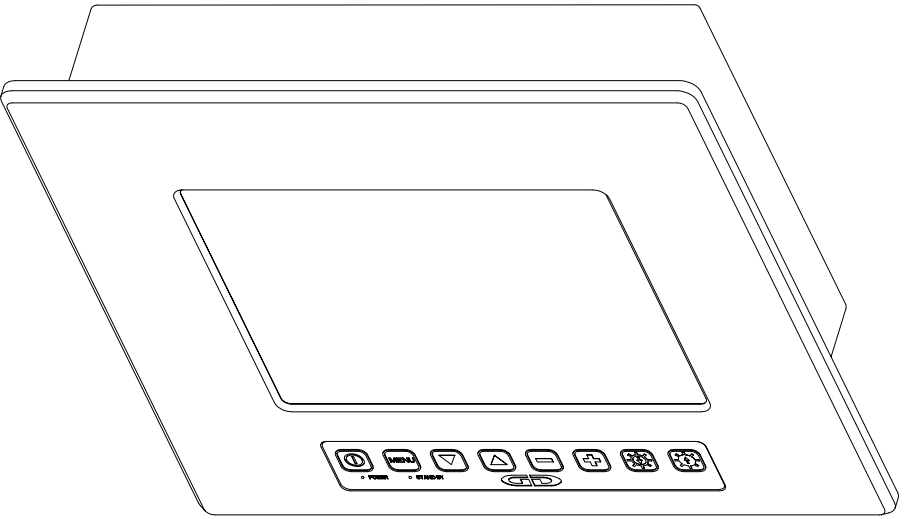
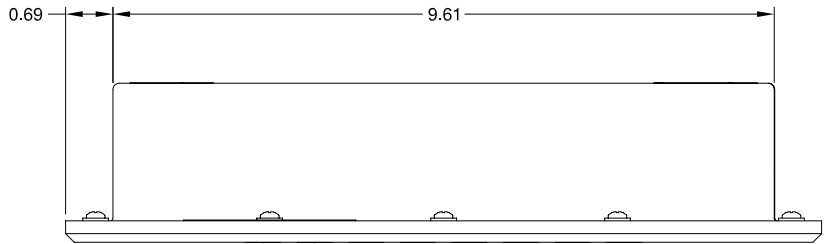
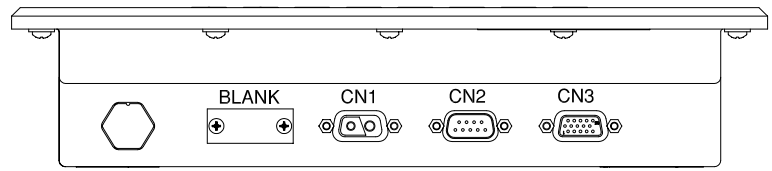


BP-08X-ccc-dd-00-15-gg-hijj



MOUNTING HOLES  
M4 x 6.35mm DEEP  
(4) PLCS.



THIS DOCUMENT CONTAINS PROPRIETARY INFORMATION OF GENERAL DIGITAL AND IS NOT TO BE DISCLOSED, REPRODUCED OR PUBLISHED WITHOUT WRITTEN CONSENT FROM GENERAL DIGITAL. THIS DOCUMENT MUST BE RENDERED ILLEGIBLE WHEN BEING DISCARDED. © COPYRIGHT 2008. ALL RIGHTS RESERVED.

UNLESS OTHERWISE SPECIFIED DIMENSIONS ARE IN INCHES TOLERANCES ARE:  
FRACTIONS DECIMALS ANGLES  
±1/32 .X ±.050 ±0° 30'  
.XX ±.031  
.XXX±.020

CONNECTOR CHART		
DESIGNATION	FUNCTION	TYPE
CN1	+12 VDC INPUT	2W2
CN2	NTSC VIDEO INPUT	DE-9S
CN3	ANALOG VIDEO INPUT	DE-15S

MECHANICAL OUTLINE ONLY. SPECIFICATIONS SUBJECT TO CHANGE WITHOUT NOTICE. U.O.S. ALL DIMENSIONS ARE IN INCHES.	
APPROVALS	DATE
DRAWN FLA	11-18-08
CHECKED T.R.	11-18-08
APPROVED B.G.	11-18-08
DO NOT SCALE DRAWING	

**GD GENERAL DIGITAL**  
The Innovators of Flat Panel Technology  
8 Nutmeg Road South, South Windsor, CT 06074  
(860) 282-2900 www.GeneralDigital.com

SEALED PANEL MOUNT MONITOR  
8.4" XGA FLAT PANEL MONITOR

<b>B</b>	CAGE CODE	DWG. NO.	REV
	1JA77	08-23	-

REV	DATE	ECN	DESCRIPTION	BY