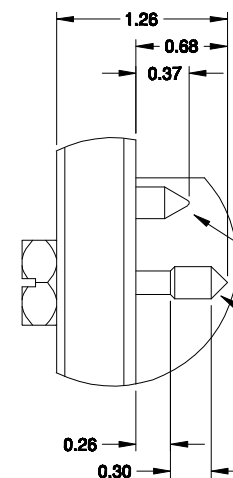
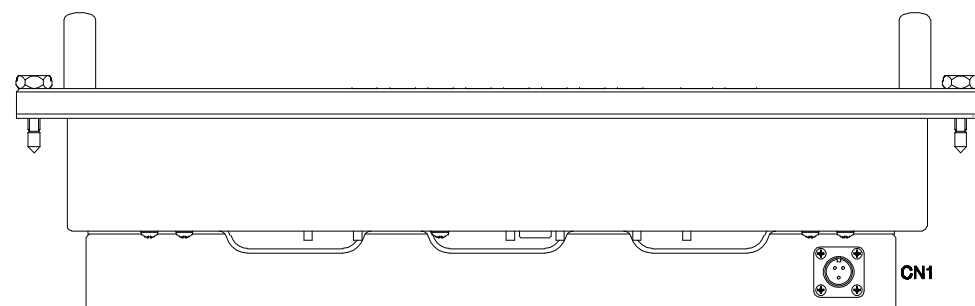
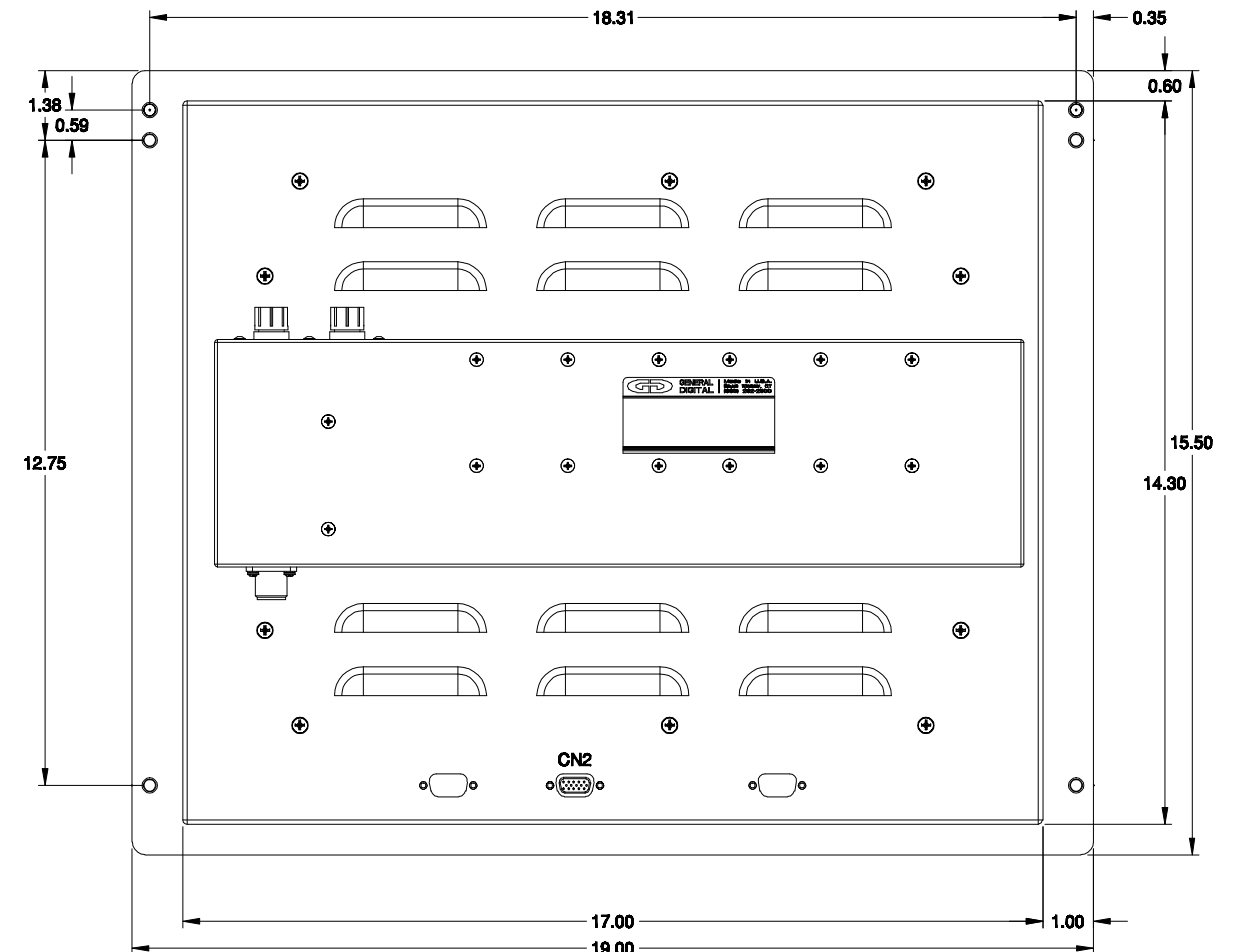
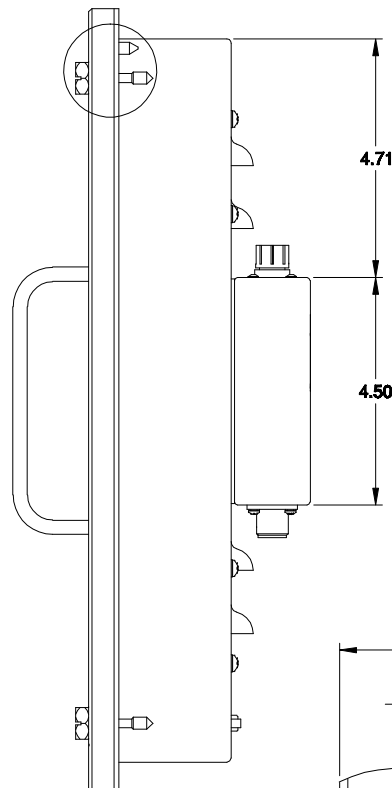
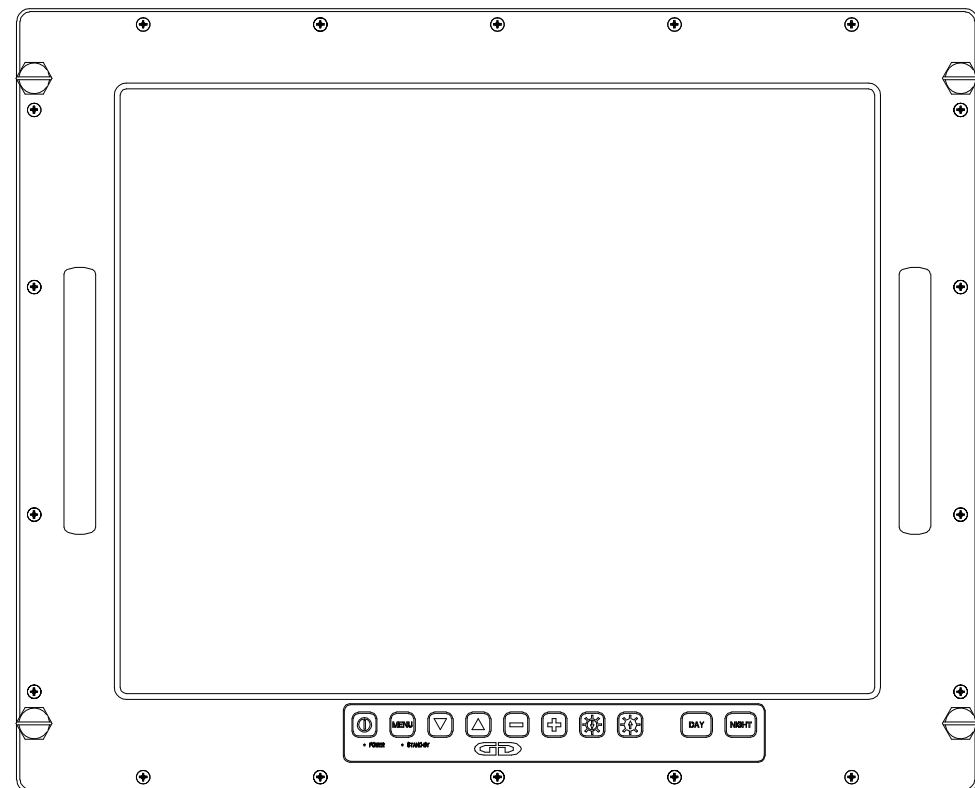
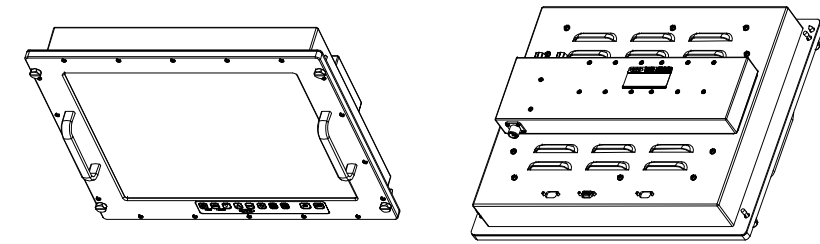
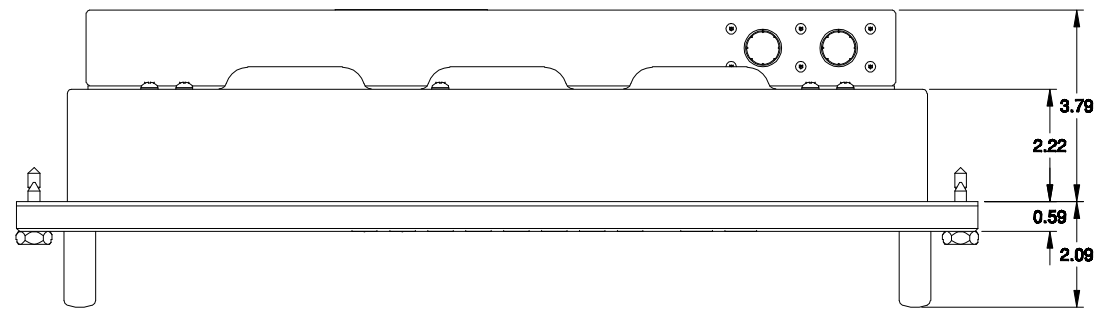


# CUSTOMER APPROVAL

COMPANY	NAME (PRINT)
DATE	SIGNATURE

SNCMP-19W-9034-122-00-51-25-EP78-077

90-850-115-F



6mm GUIDE PINS (X2)  
MOUNTING HARDWARE  
M6.0 x 1.0 x 32mm LONG (X4)  
(PACKAGED SEPERATLY)

SHEET 1 OF 2

REV	DATE	ECN	DESCRIPTION	BY
F	29-Jan-19	E005514	CHANGED PER ECN E005514	CP
E	13-Dec-16	E004853	CHANGED PER ECN E004853	CP
D	05-Jul-13	E003295	CHANGED PER ECN E003295	CP
C	15-Jun-07	E001833	CHANGED PER ECN E001833	CP

THIS DOCUMENT CONTAINS PROPRIETARY INFORMATION OF GENERAL DIGITAL AND IS NOT TO BE DISCLOSED, REPRODUCED OR PUBLISHED WITHOUT WRITTEN CONSENT FROM GENERAL DIGITAL. THIS DOCUMENT MUST BE RENDERED ILLEGIBLE WHEN BEING DISCARDED. © COPYRIGHT 2019. ALL RIGHTS RESERVED.

UNLESS OTHERWISE SPECIFIED DIMENSIONS ARE IN INCHES  
TOLERANCES ARE:  
FRACTIONS DECIMALS ANGLES  
±1/32 .X ±.050 ±0° 30'  
.XX ±.031  
.XXX±.020

CONNECTOR CHART		
DESIGNATION	FUNCTION	TYPE
CN1	AC INPUT	MS3402D10SL-3P
CN2	ANALOG VIDEO INPUT	DE-15-S

MECHANICAL OUTLINE ONLY. SPECIFICATIONS SUBJECT TO CHANGE WITHOUT NOTICE. U.O.S. ALL DIMENSIONS ARE IN INCHES.		
APPROVALS	DATE	
DRAWN C.P.	21-Jul-06	
CHECKED S.B.	29-Jan-19	
APPROVED J.H.	29-Jan-19	
<b>DO NOT SCALE DRAWING</b>		

**GD GENERAL DIGITAL**  
*Engineering What's Next*  
8 Nutmeg Road South, South Windsor, CT 06074  
(860) 282-2900 www.GeneralDigital.com

**CHASSIS MONITOR PANEL MOUNT (COTS)**  
**19.0" SXGA FLAT PANEL MONITOR**

<b>B</b>	CAGE CODE 1JA77	DWG. NO. 850-115-97	REV -
----------	--------------------	------------------------	----------

# CUSTOMER APPROVAL

COMPANY	NAME (PRINT)
DATE	SIGNATURE

SNCMP-19W-9034-122-00-51-25-EP78-077

90-850-115-F

AC INPUT (CN1)	
MS3402D10SL-3P	
PIN #	SIGNAL NAME
A	LIVE
B	NEUTRAL
C	GROUND

UNIT SPECIFICATIONS		
FEATURE	VALUE	UNIT
<b>DISPLAY</b>		
SIZE (DIAGNOL)	19.0	INCHES
ACTIVE AREA	14.82 x 11.85	INCHES
RESOLUTION	1280 x 1024	PIXELS
COLORS	16.7 MILLION (6-BIT w/FRC)	
VIEWING ANGLE (H/V)	±85 / ±80	DEGREES
REFRESH RATE	60	Hz
<b>OPTICAL</b>		
BRIGHTNESS (MAX)(DAY)	650	NITS
BRIGHTNESS (MAX)(N/IS)	20	NITS
DIMMING RANGE	1 - 100%	
CONTRAST	1000:1	
BACKLIGHT TYPE (DAY)	LED	
BACKLIGHT TYPE (N/IS)	LED N/IS WHITE	MIL-STD-3009
<b>POWER SUPPLY</b>		
INPUT VOLTAGE	85 - 264	VAC
INPUT FREQUENCY	50 - 60	Hz
POWER CONSUMPTION (EST)	30	WATTS
<b>ENVIRONMENTAL</b>		
OPERATING TEMPERATURE	0 - +50	°C
STORAGE TEMPERATURE	-20 - +70	°C
HUMIDITY	5 - 95% RH NON-CONDENSING	

## ACCESSORIES:

01-999 - USERS MANUAL

38-316 - EXTERNAL VIDEO CABLE, DE-15-P TO 5 BNC MALES, 75 Ω COAX, DOUBLE SHIELDED, 10'

62-555 - HEX HEAD CAPTIVE SCREW, M6.0 x 1.0 x 32mm LONG, STAINLESS STEEL, (X4)

SHEET 2 OF 2

REV	DATE	ECN	DESCRIPTION	BY
F	29-Jan-19	E005514	CHANGED PER ECN E005514	CP
E	13-Dec-16	E004853	CHANGED PER ECN E004853	CP
D	05-Jul-13	E003295	CHANGED PER ECN E003295	CP
C	15-Jun-07	E001833	CHANGED PER ECN E001833	CP

THIS DOCUMENT CONTAINS PROPRIETARY INFORMATION OF GENERAL DIGITAL AND IS NOT TO BE DISCLOSED, REPRODUCED OR PUBLISHED WITHOUT WRITTEN CONSENT FROM GENERAL DIGITAL. THIS DOCUMENT MUST BE RENDERED ILLEGIBLE WHEN BEING DISCARDED. © COPYRIGHT 2019. ALL RIGHTS RESERVED.

UNLESS OTHERWISE SPECIFIED DIMENSIONS ARE IN INCHES  
TOLERANCES ARE:  
FRACTIONS    DECIMALS    ANGLES  
±1/32        .X ±.050    ±0° 30'  
              .XX ±.031  
              .XXX±.020


### CONNECTOR CHART

DESIGNATION	FUNCTION	TYPE
CN1	AC INPUT	MS3402D10SL-3P
CN2	ANALOG VIDEO INPUT	DE-15-S

MECHANICAL OUTLINE ONLY. SPECIFICATIONS SUBJECT TO CHANGE WITHOUT NOTICE. U.O.S. ALL DIMENSIONS ARE IN INCHES.

APPROVALS	DATE
DRAWN C.P.	21-Jul-06
CHECKED S.B.	29-Jan-19
APPROVED J.H.	29-Jan-19

**DO NOT SCALE DRAWING**



**GENERAL DIGITAL**  
*Engineering What's Next*  
8 Nutmeg Road South, South Windsor, CT 06074  
(860) 282-2900 www.GeneralDigital.com

**CHASSIS MONITOR PANEL MOUNT (COTS)**  
**19.0" SXGA FLAT PANEL MONITOR**

<b>B</b>	CAGE CODE 1JA77	DWG. NO. 850-115-97	REV -
----------	--------------------	------------------------	----------