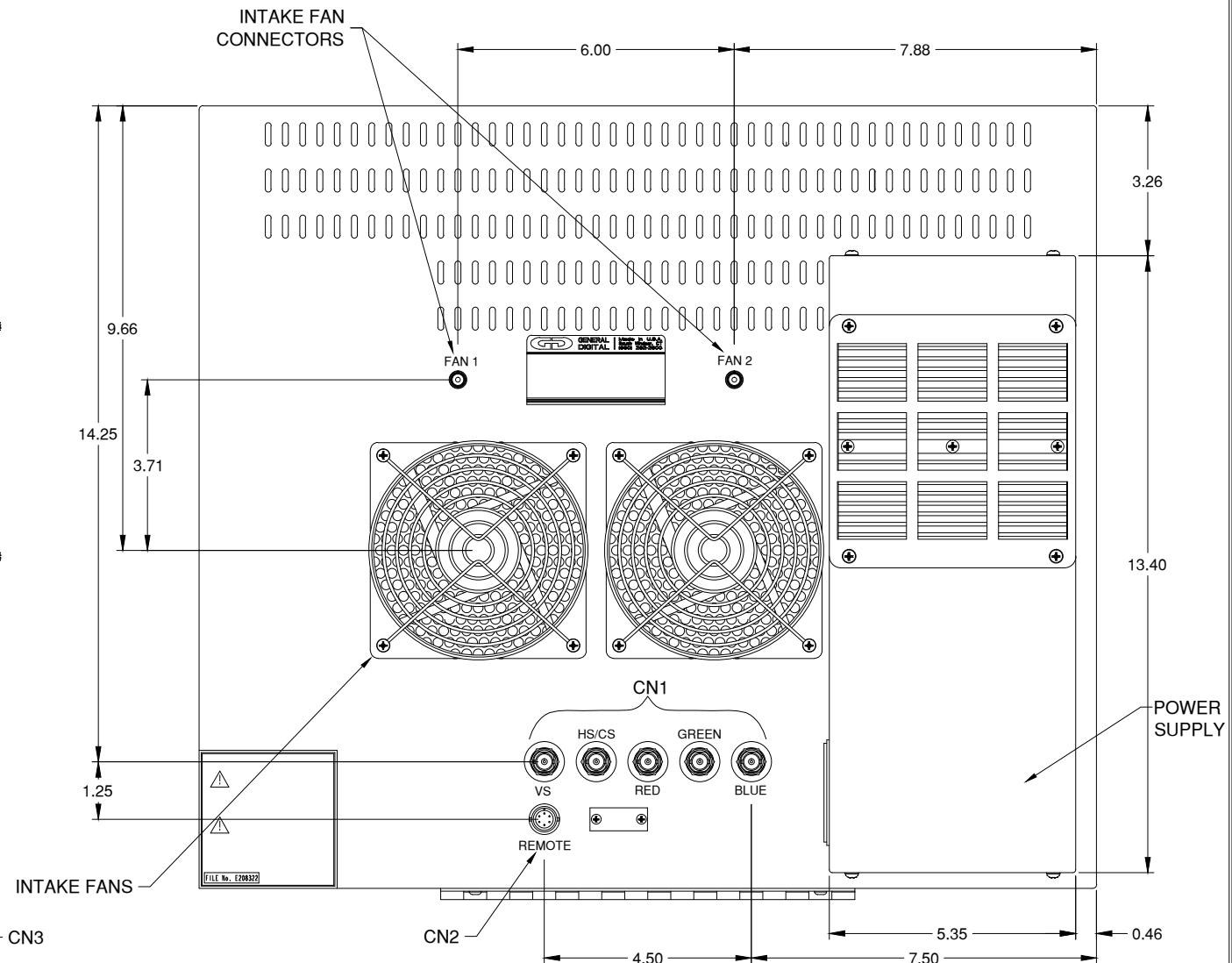
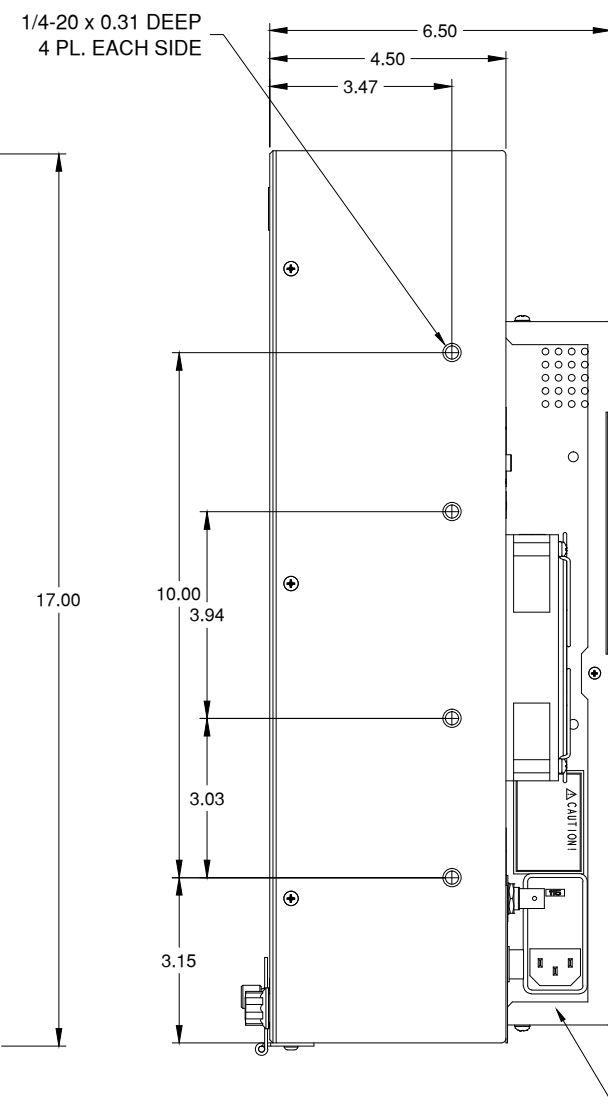
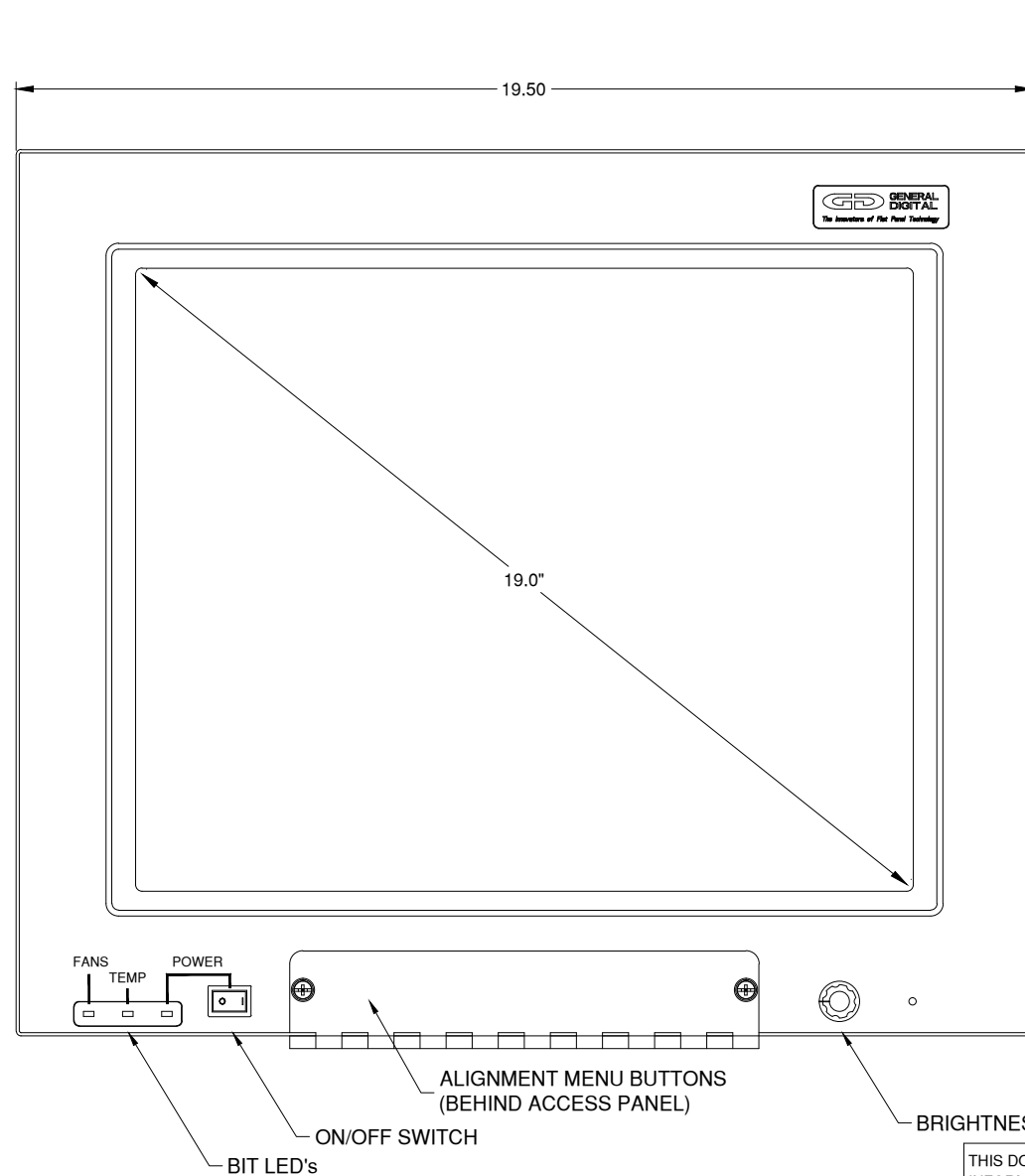
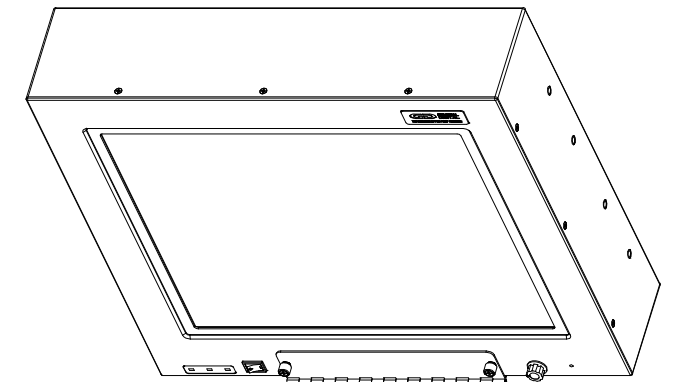
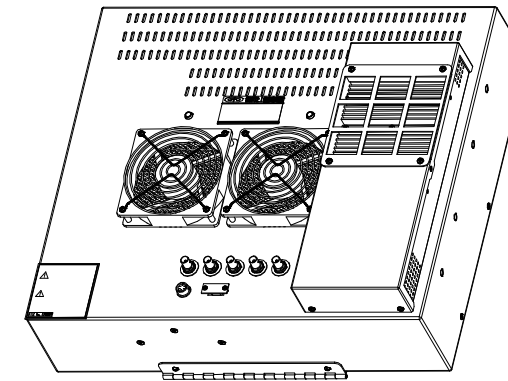
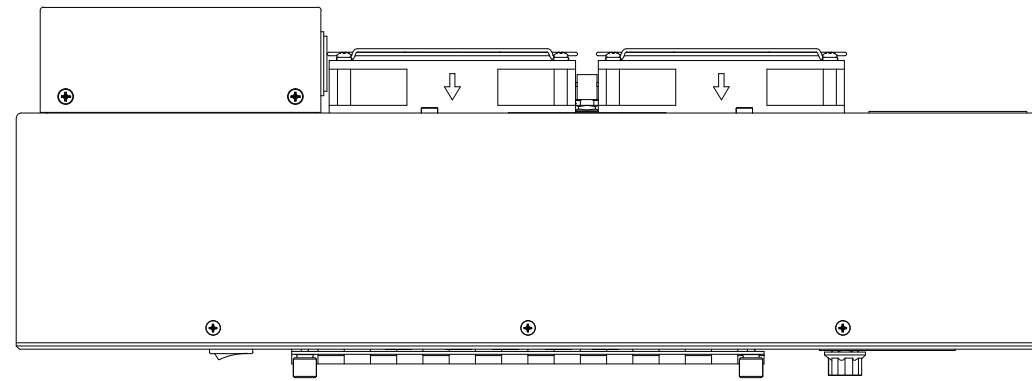


UB-19W-709-61-00-01-63-EA25




THIS DOCUMENT CONTAINS PROPRIETARY INFORMATION OF GENERAL DIGITAL AND IS NOT TO BE DISCLOSED, REPRODUCED OR PUBLISHED WITHOUT WRITTEN CONSENT FROM GENERAL DIGITAL. THIS DOCUMENT MUST BE RENDERED ILLEGIBLE WHEN BEING DISCARDED. ©COPYRIGHT 2014. ALL RIGHTS RESERVED.

UNLESS OTHERWISE SPECIFIED DIMENSIONS ARE IN INCHES TOLERANCES ARE:
 FRACTIONS DECIMALS ANGLES
 ±1/32 .X ±.050 ±0° 30'
 .XX ±.031
 .XXX±.020

| CONNECTOR CHART | | |
|-----------------|---------------------------|-------------|
| DESIGNATION | FUNCTION | TYPE |
| CN1 | ANALOG VIDEO INPUT | 5 BNC's |
| CN2 | REMOTE BRIGHTNESS CONTROL | 6-PIN CIRC. |
| CN3 | AC INPUT | IEC-320 |
| CN4 | SERIAL PORT | DE-9-S |
| CN5 | FACTORY PROGRAMMING PORT | DE-9-P |
| CN6 | | |

| MECHANICAL OUTLINE ONLY. SPECIFICATIONS SUBJECT TO CHANGE WITHOUT NOTICE. U.O.S. ALL DIMENSIONS ARE IN INCHES. | |
|--|-----------|
| APPROVALS | DATE |
| DRAWN G.L. | 11-Mar-14 |
| CHECKED T.R. | |
| APPROVED B.G. | |
| DO NOT SCALE DRAWING | |



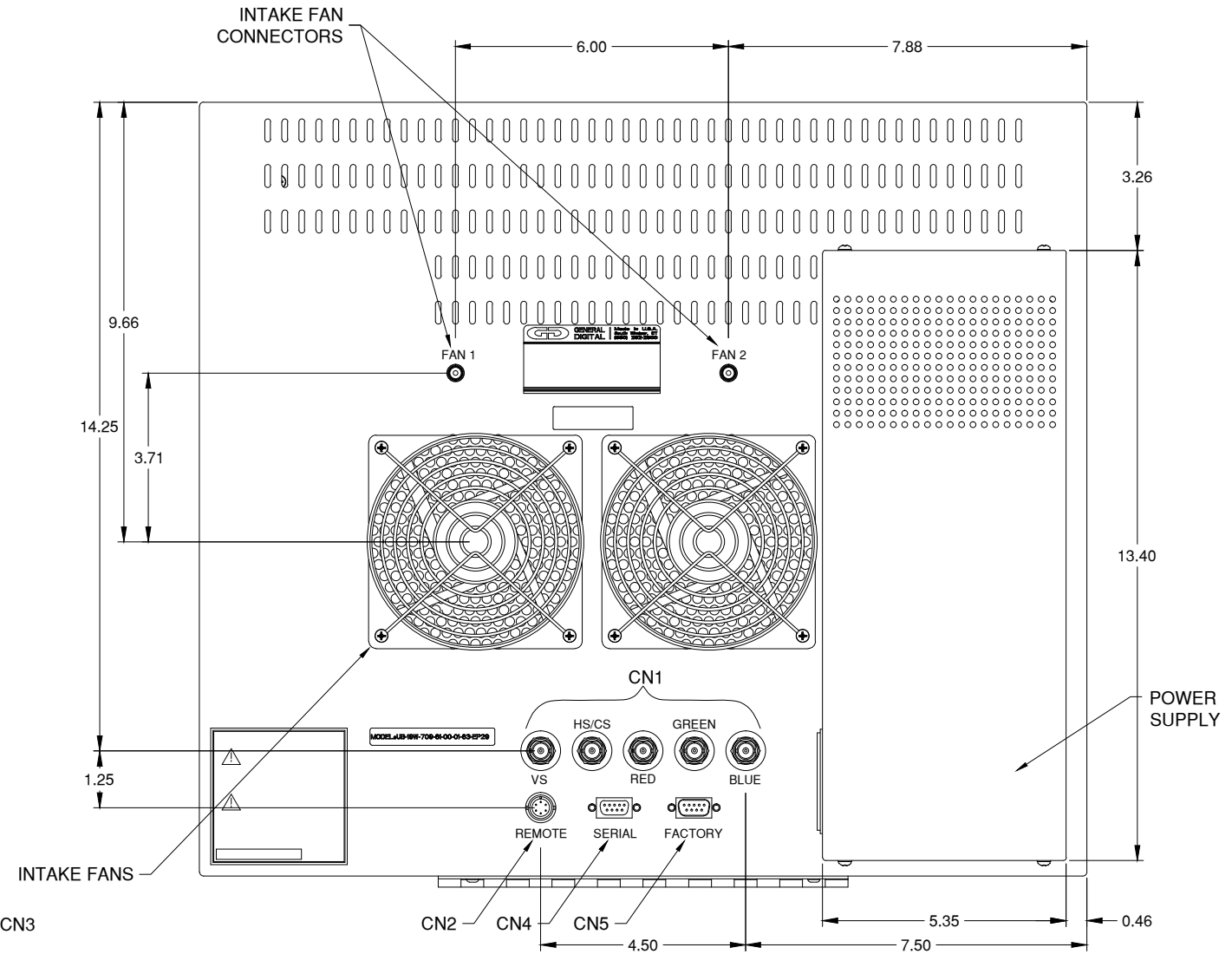
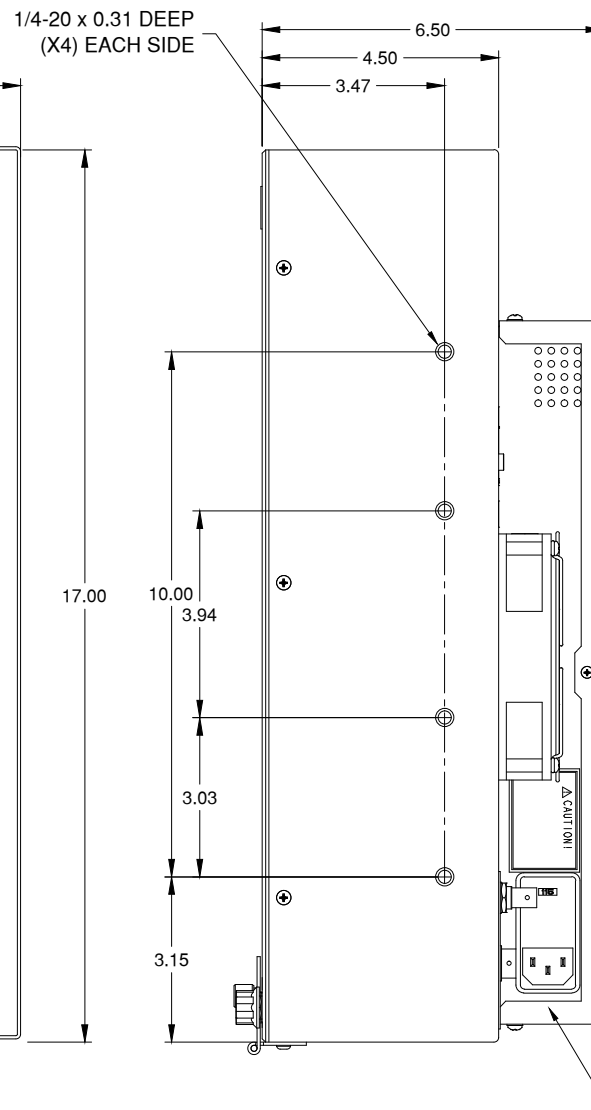
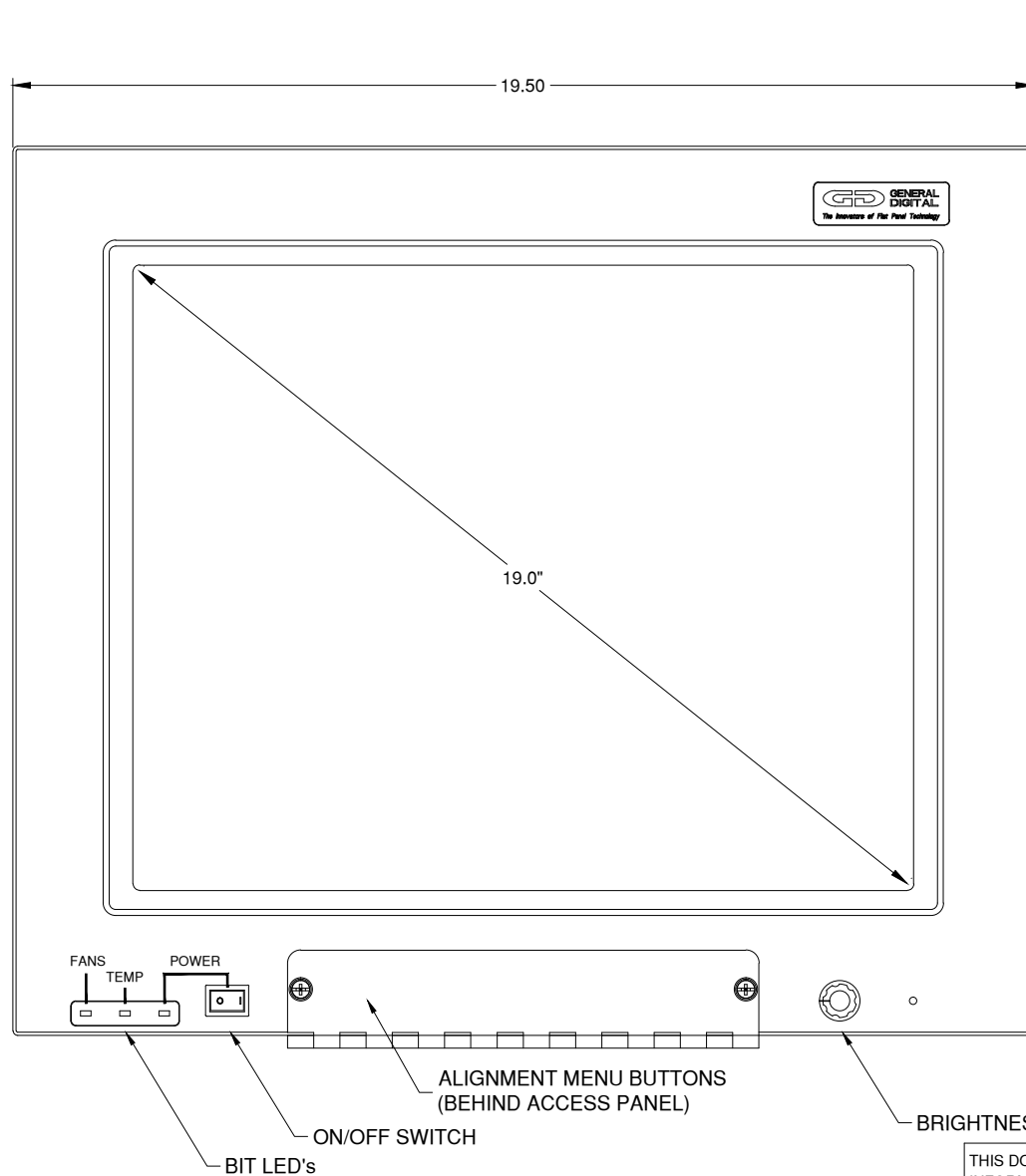
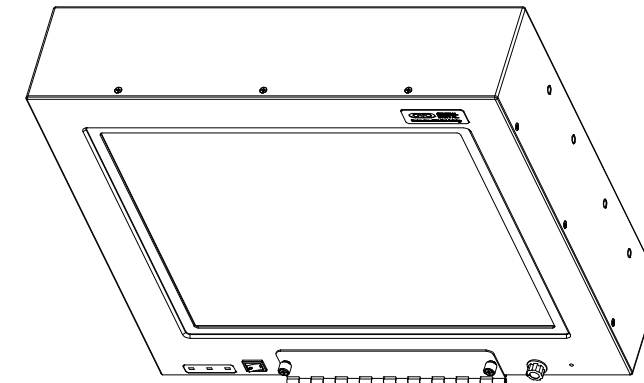
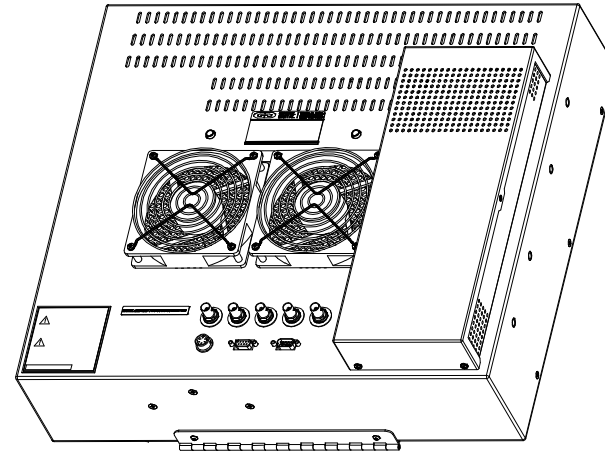
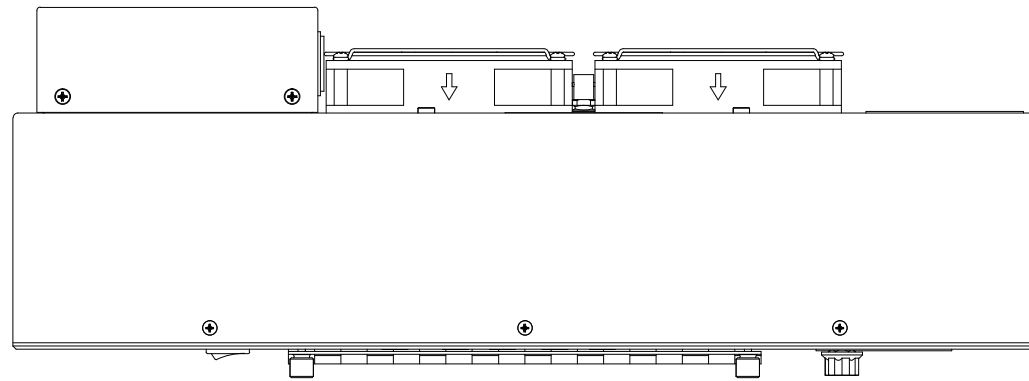
GENERAL DIGITAL
The Innovators of Flat Panel Technology
 8 Nutmeg Road South, South Windsor, CT 06074
 (860) 282-2900 www.GeneralDigital.com

GENSTAR III - ULTRA-BRIGHT
19.0" SXGA FLAT PANEL MONITOR

| | | | |
|----------|--------------------|-------------------|----------|
| B | CAGE CODE 1JA77 | DWG. NO. 14-16 | REV - |
|----------|--------------------|-------------------|----------|

| REV | DATE | ECN | DESCRIPTION | BY |
|-----|------|-----|-------------|----|
| | | | | |

UB-19W-709-61-00-01-63-EA46




THIS DOCUMENT CONTAINS PROPRIETARY INFORMATION OF GENERAL DIGITAL AND IS NOT TO BE DISCLOSED, REPRODUCED OR PUBLISHED WITHOUT WRITTEN CONSENT FROM GENERAL DIGITAL. THIS DOCUMENT MUST BE RENDERED ILLEGIBLE WHEN BEING DISCARDED. ©COPYRIGHT 2014. ALL RIGHTS RESERVED.

UNLESS OTHERWISE SPECIFIED DIMENSIONS ARE IN INCHES TOLERANCES ARE:
 FRACTIONS DECIMALS ANGLES
 ±1/32 .X ±.050 ±0° 30'
 .XX ±.031
 .XXX±.020

| CONNECTOR CHART | | |
|-----------------|---------------------------|-------------|
| DESIGNATION | FUNCTION | TYPE |
| CN1 | ANALOG VIDEO INPUT | 5 BNC's |
| CN2 | REMOTE BRIGHTNESS CONTROL | 6-PIN CIRC. |
| CN3 | AC INPUT | IEC-320 |
| CN4 | SERIAL PORT | DE-9-S |
| CN5 | FACTORY PROGRAMMING PORT | DE-9-P |
| CN6 | | |

| MECHANICAL OUTLINE ONLY. SPECIFICATIONS SUBJECT TO CHANGE WITHOUT NOTICE. U.O.S. ALL DIMENSIONS ARE IN INCHES. | |
|--|-----------|
| APPROVALS | DATE |
| DRAWN G.L. | 10-Mar-14 |
| CHECKED T.R. | |
| APPROVED B.G. | |
| DO NOT SCALE DRAWING | |



GENERAL DIGITAL
The Innovators of Flat Panel Technology
 8 Nutmeg Road South, South Windsor, CT 06074
 (860) 282-2900 www.GeneralDigital.com

GENSTAR III - ULTRA-BRIGHT
19.0" SXGA FLAT PANEL MONITOR

| | | | |
|---|-----------|----------|-----|
| B | CAGE CODE | DWG. NO. | REV |
| | 1JA77 | 14-13 | - |

| REV | DATE | ECN | DESCRIPTION | BY |
|-----|------|-----|-------------|----|
| | | | | |