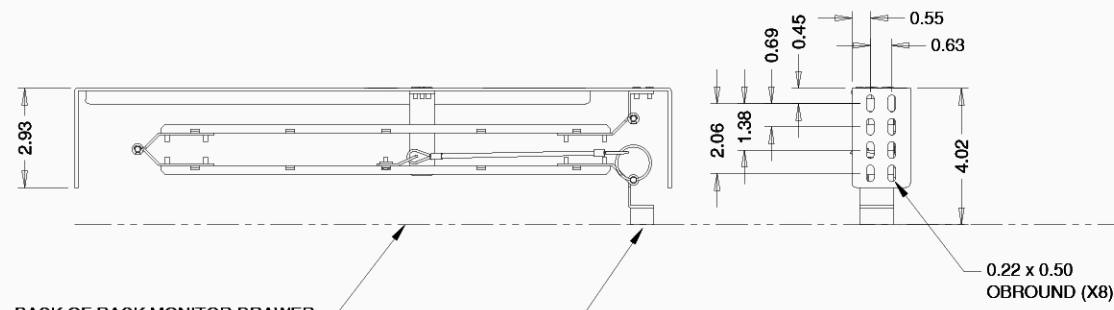
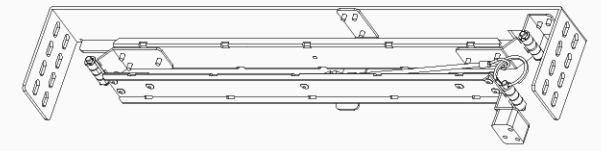
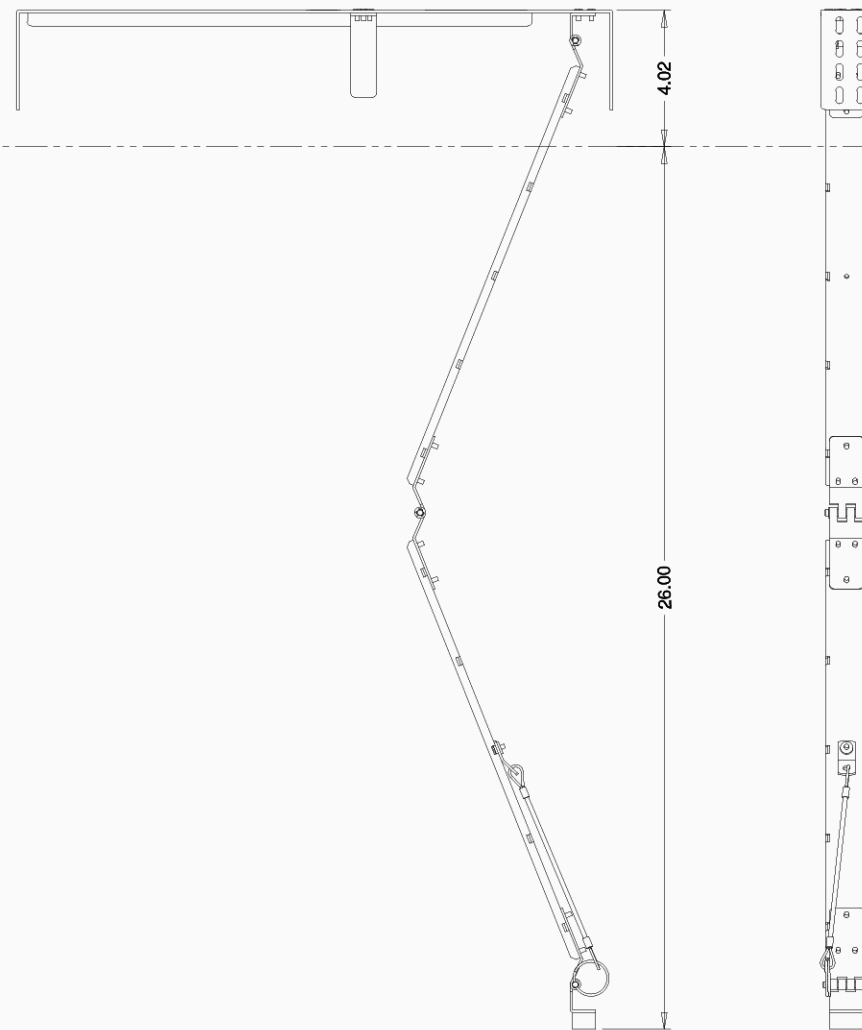


90-1202-019



BACK OF RACK MONITOR DRAWER
SHOWN WITH 1202-003-06 HINGE LEAF
SPACER BLOCK ACCESSORY INSTALLED

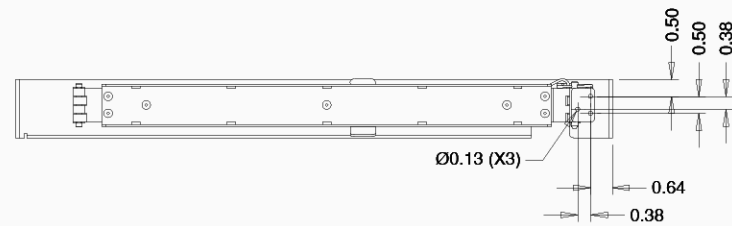


CLOSED/STOWED POSITION

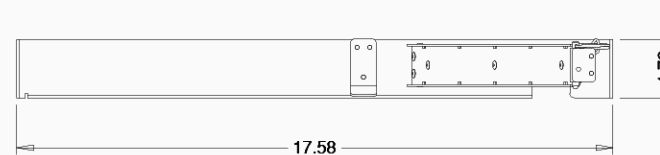


OPEN/DEPLOYED POSITION

ACCESSORIES INCLUDED:
30-651 - CABLE TIES, 8", BLACK (X12)
62-289 - SCREWS, 4-40 x 3/4", PNHD, PH, SEM, SS (X3)
1202-003-06 - HINGE LEAF SPACER BLOCK, 1/2" (X1)



CLOSED/STOWED POSITION



OPEN/DEPLOYED POSITION

THIS DOCUMENT CONTAINS PROPRIETARY INFORMATION OF GENERAL DIGITAL AND IS NOT TO BE DISCLOSED, REPRODUCED OR PUBLISHED WITHOUT WRITTEN CONSENT FROM GENERAL DIGITAL. THIS DOCUMENT MUST BE RENDERED ILLEGIBLE WHEN BEING DISCARDED. © COPYRIGHT 2020. ALL RIGHTS RESERVED.

UNLESS OTHERWISE SPECIFIED DIMENSIONS ARE IN INCHES
TOLERANCES ARE:
FRACTIONS DECIMALS ANGLES
±1/32 .X ±.050 ±0° 30'
.XX ±.031
.XXX±.020

CONNECTOR CHART

DESIGNATION	FUNCTION	TYPE

MECHANICAL OUTLINE ONLY. SPECIFICATIONS SUBJECT TO CHANGE WITHOUT NOTICE. U.O.S. ALL DIMENSIONS ARE IN INCHES.

APPROVALS		DATE
DRAWN	C.P.	27-Apr-20
CHECKED	B.N.	27-Apr-20
APPROVED	J.H.	27-Apr-20
DO NOT SCALE DRAWING		

GD GENERAL DIGITAL
Engineering What's Next
60 Prestige Park Road, East Hartford, CT 06108
860.282.2900 www.GeneralDigital.com

**1U CABLE CARRIER - 26" EXTENSION
SLIDE EXTENSION BRACKET MOUNT**

B	CAGE CODE	DWG. NO.	REV
	1JA77	1202-019-97	-