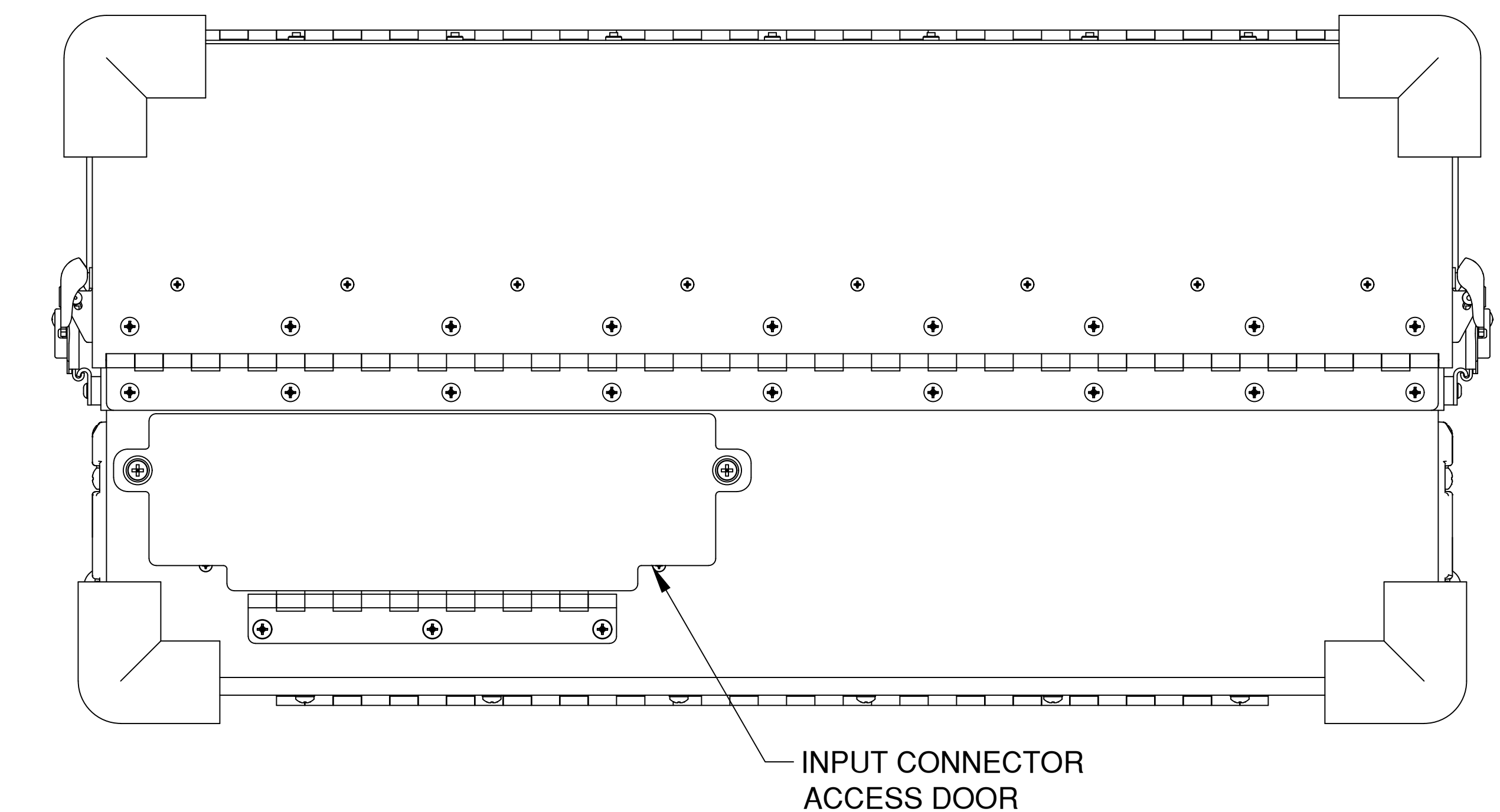
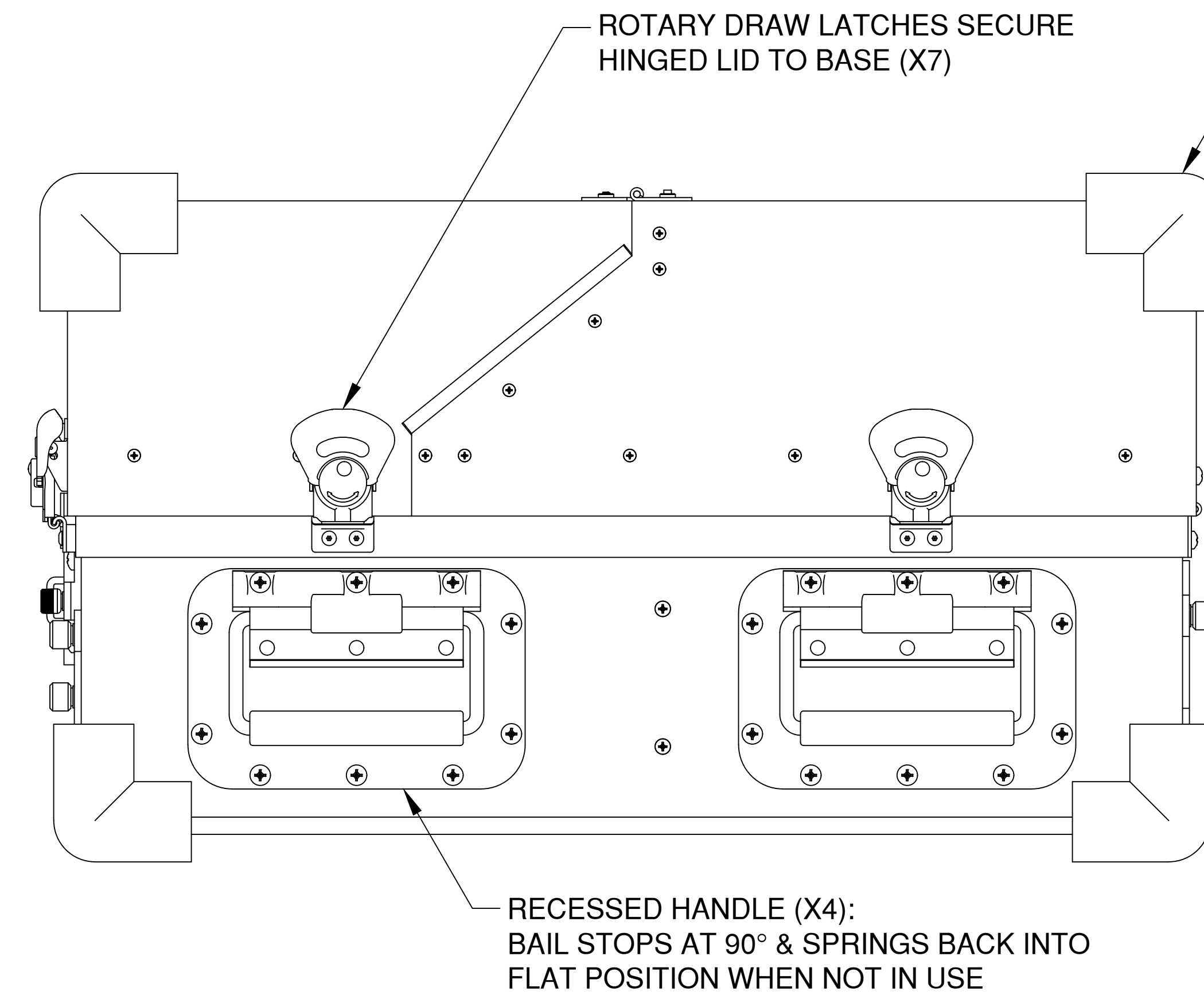
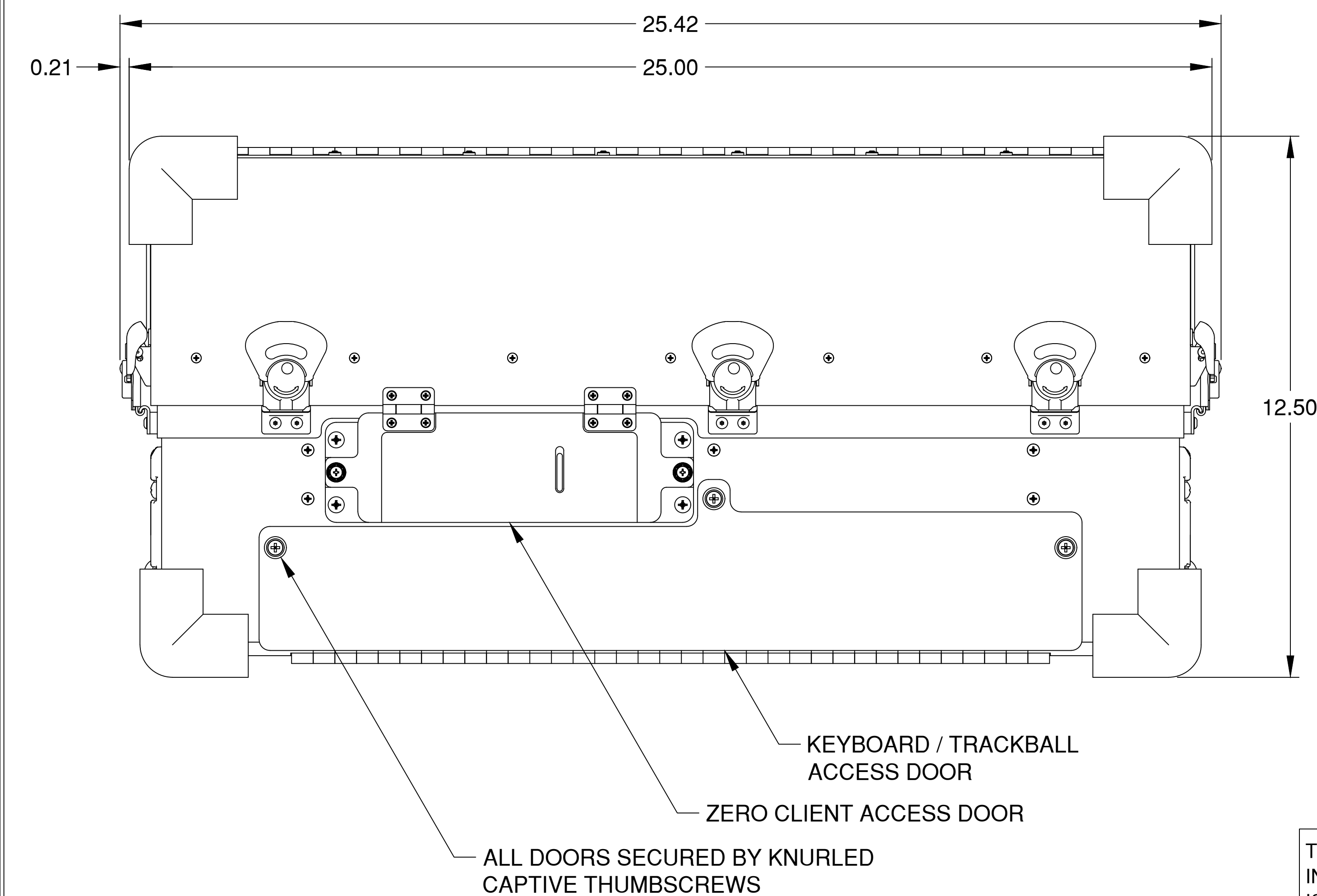
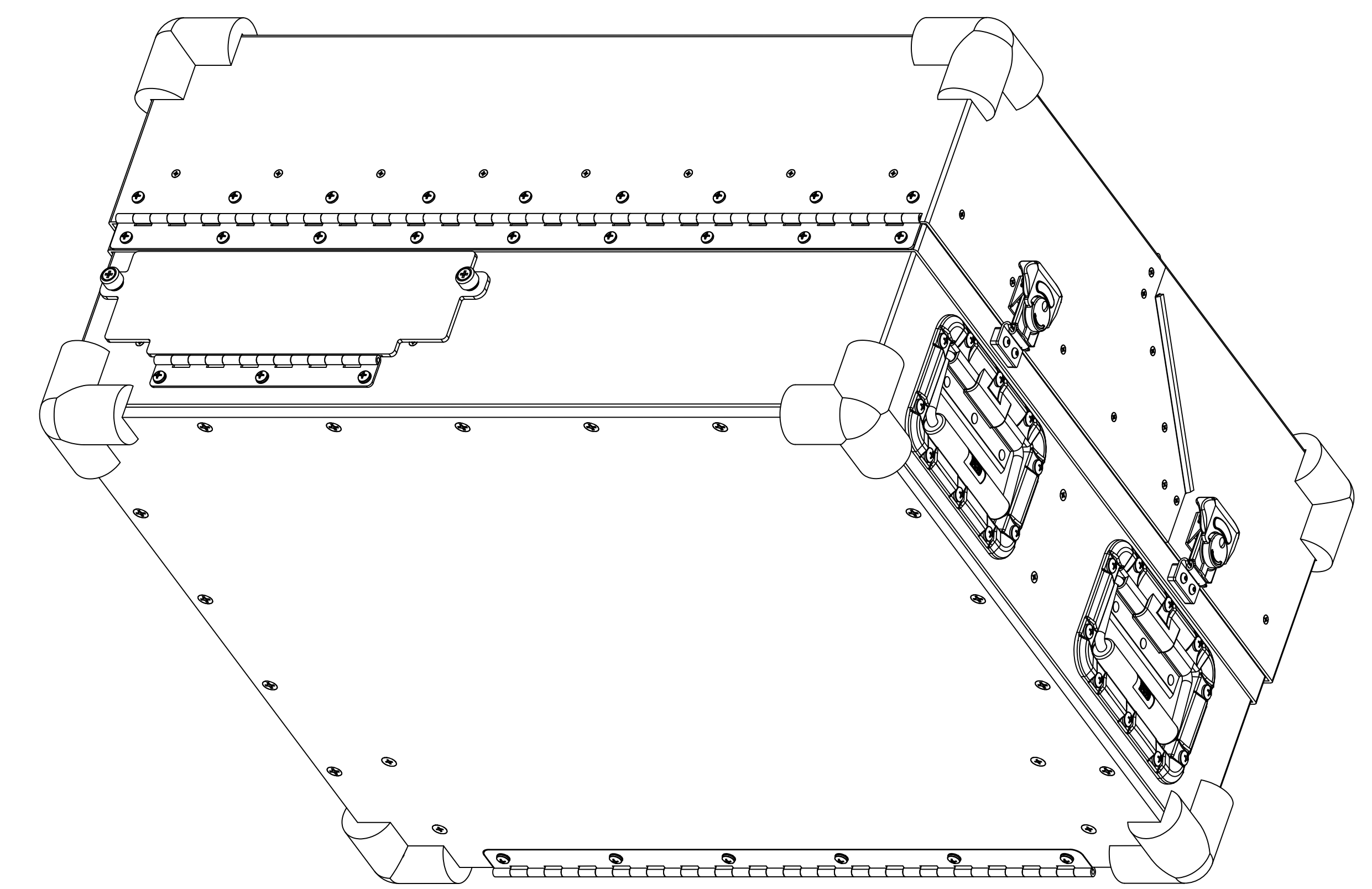
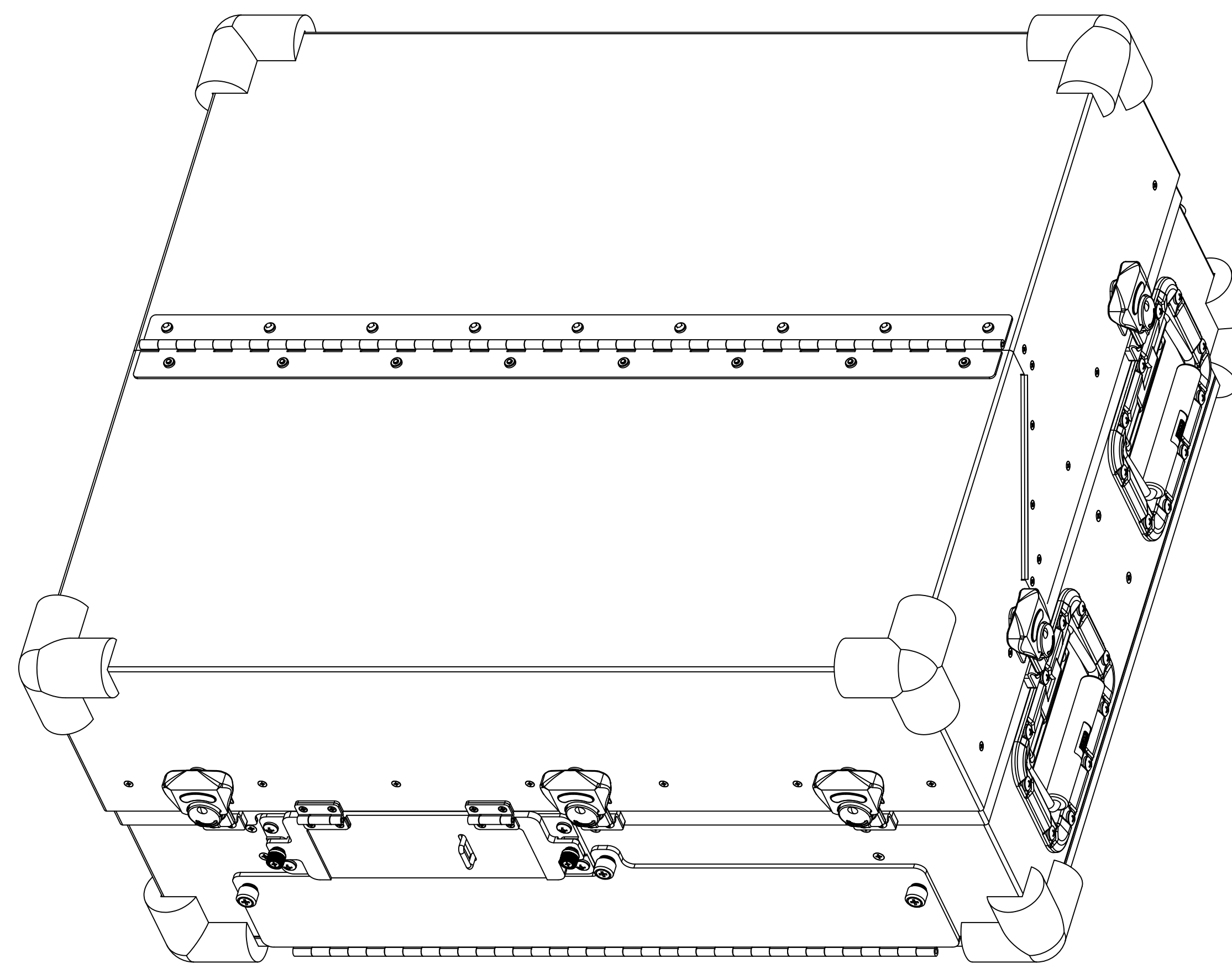
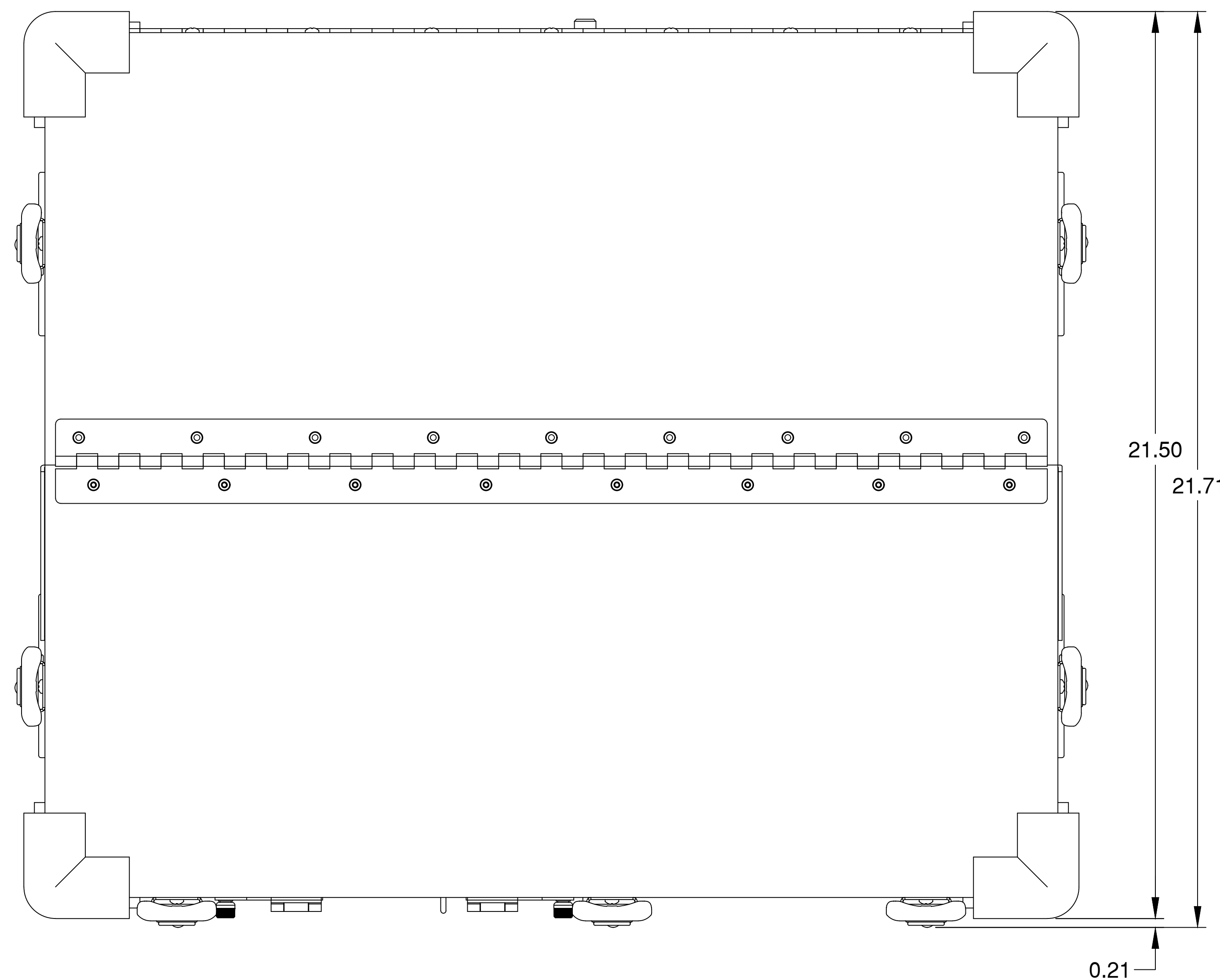


CUSTOMER APPROVAL

COMPANY	NAME (PRINT)
DATE	SIGNATURE

CLOSED / STOWED

90-2215-005



RECESSED HANDLE (X4):
BAIL STOPS AT 90° & SPRINGS BACK INTO FLAT POSITION WHEN NOT IN USE

SHEET 1 OF 4

THIS DOCUMENT CONTAINS PROPRIETARY INFORMATION OF GENERAL DIGITAL AND IS NOT TO BE DISCLOSED, REPRODUCED OR PUBLISHED WITHOUT WRITTEN CONSENT FROM GENERAL DIGITAL. THIS DOCUMENT MUST BE RENDERED ILLEGIBLE WHEN BEING DISCARDED. © COPYRIGHT 2020. ALL RIGHTS RESERVED.

UNLESS OTHERWISE SPECIFIED DIMENSIONS ARE IN INCHES
TOLERANCES ARE:
FRACTIONS DECIMALS ANGLES
±1/32 .X ±.050 ±0° 30'
.XX ±.031
.XXX±.020

MECHANICAL OUTLINE ONLY. SPECIFICATIONS SUBJECT TO CHANGE WITHOUT NOTICE. U.O.S. ALL DIMENSIONS ARE IN INCHES.

APPROVALS	DATE
DRAWN G.L.	10-Aug-20
CHECKED J.H.	
APPROVED B.N.	
DO NOT SCALE DRAWING	

GD GENERAL DIGITAL
Engineering What's Next
8 Nutmeg Road South, South Windsor, CT 06074
(860) 282-2900 www.GeneralDigital.com

21.5" DUAL VERTICAL MONITOR
EXTERNAL TABLETOP MOUNT CONFIGURATION

B	CAGE CODE	DWG. NO.	REV
	1JA77	2215-005-97	-

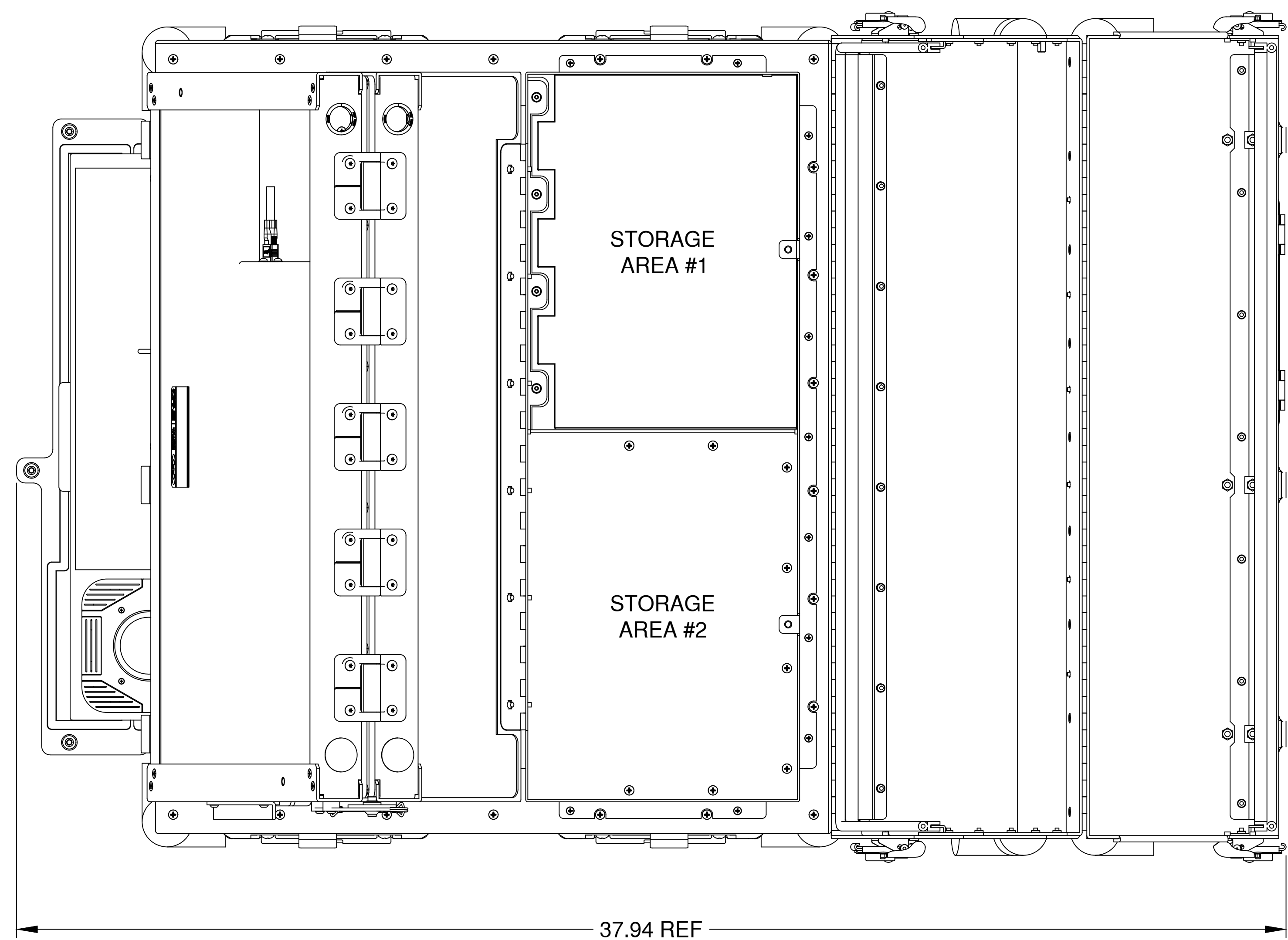
-4	23-Oct-20	-	ADDED 38-801 TO ACCESSORIES LIST	GL
-3	25-Sep-20	-	ADDED ALTITUDE TO UNIT SPECS TABLE	GL
-2	14-Sep-20	-	UPDATED DRAWING BASED ON CUSTOMER FEEDBACK	GL
REV	DATE	ECN	DESCRIPTION	BY

CUSTOMER APPROVAL

COMPANY	NAME (PRINT)
DATE	SIGNATURE

OPEN / DEPLOYED
(PRE-OPERATIONAL)

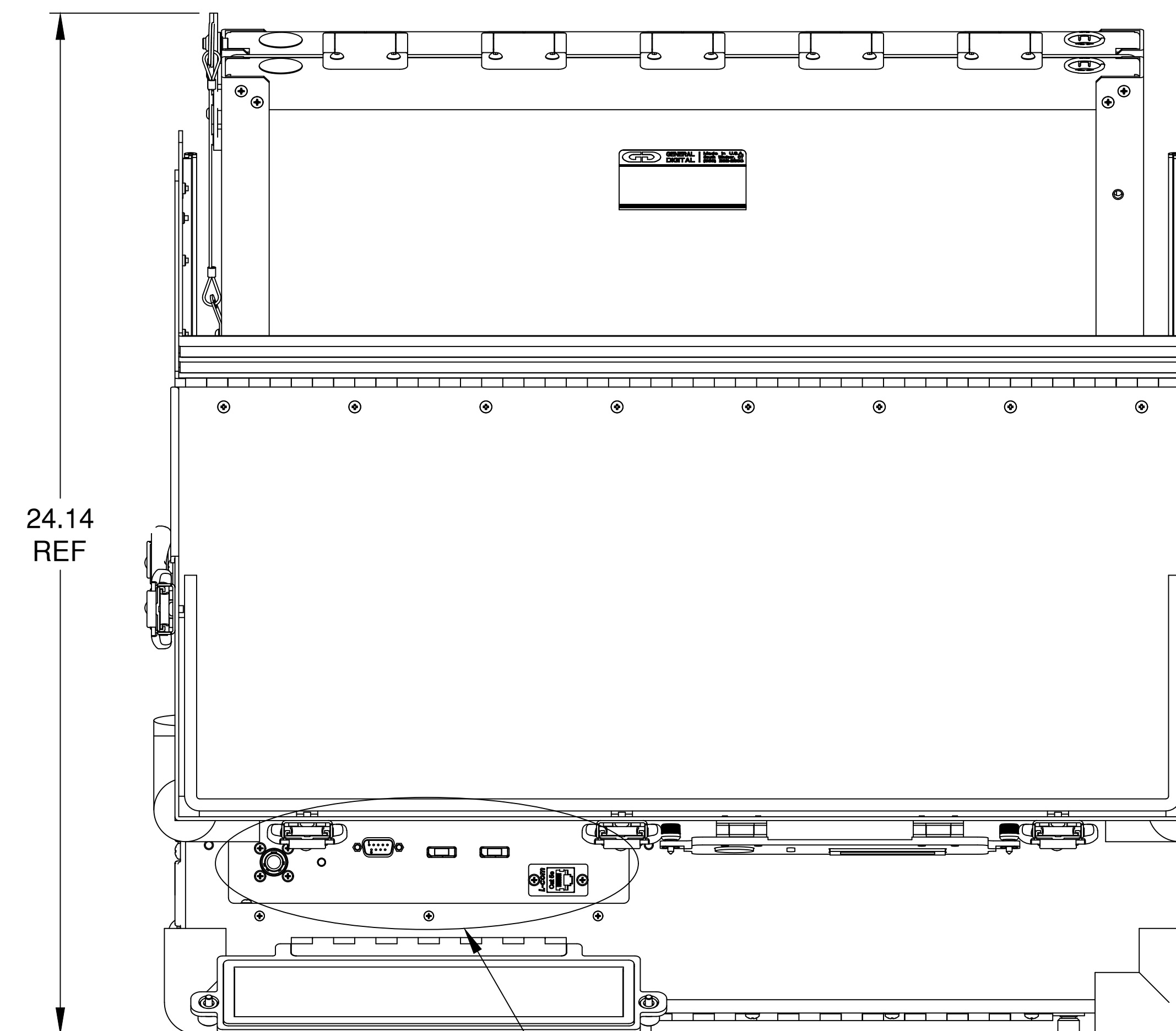
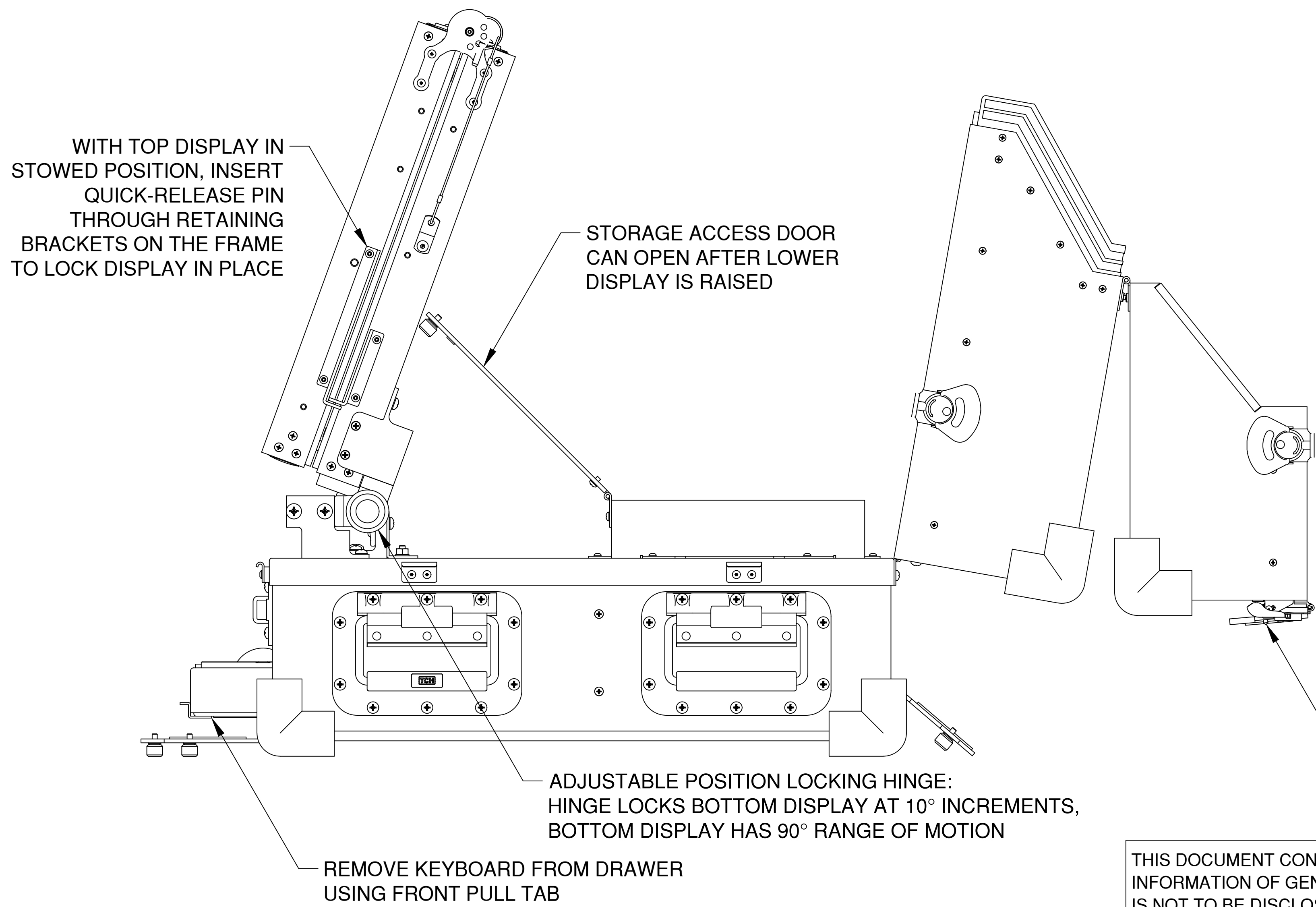
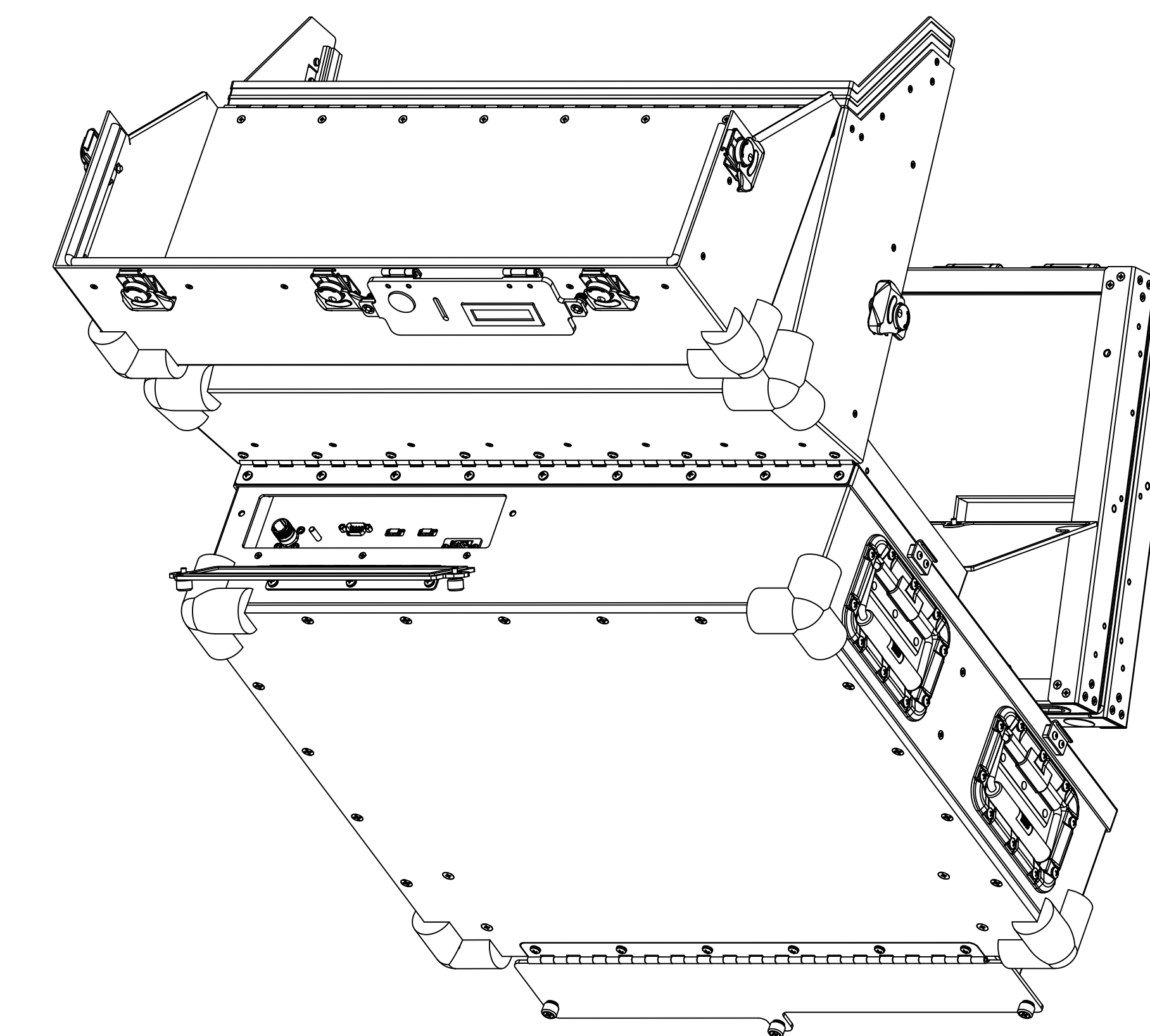
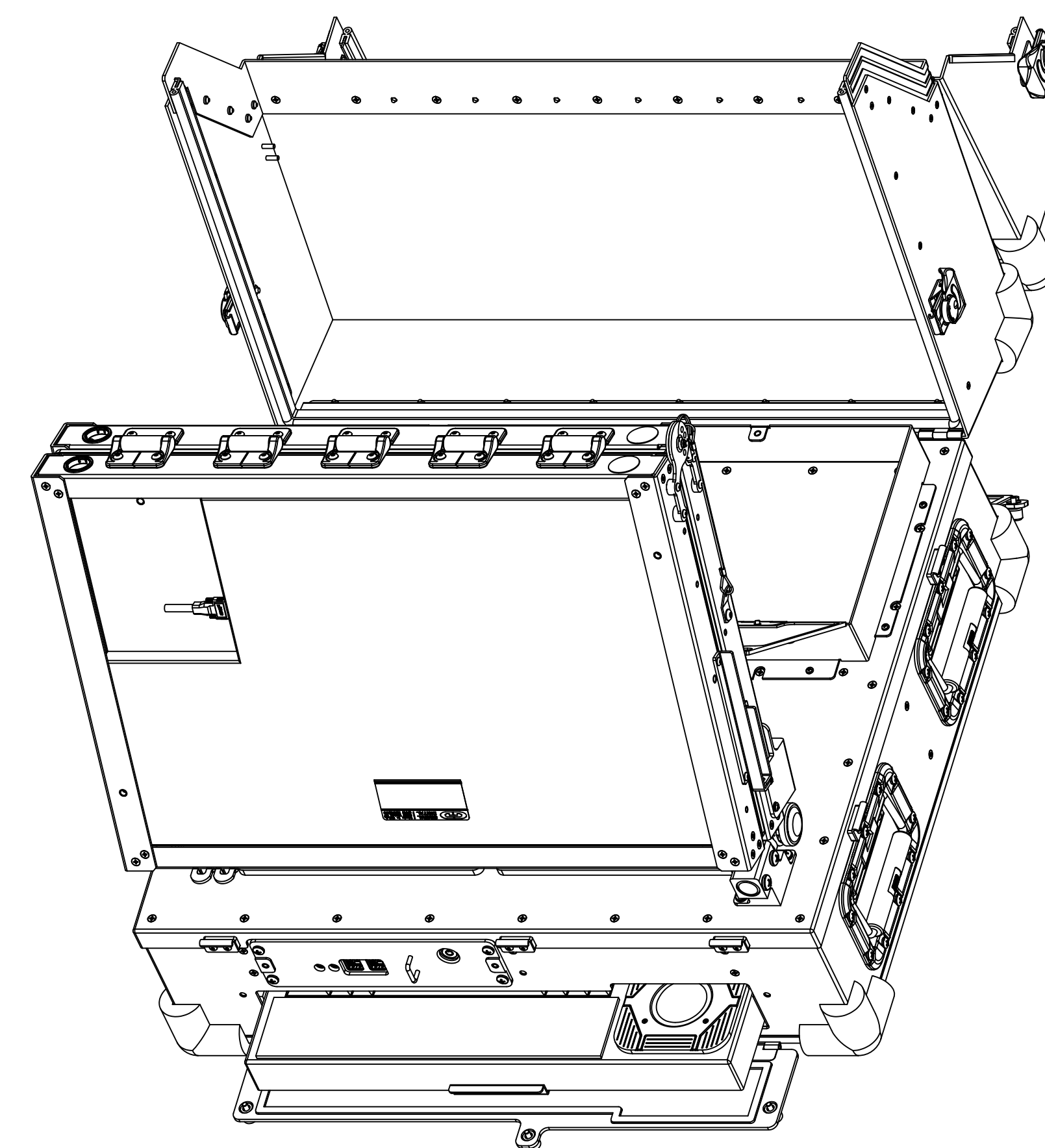
90-2215-005



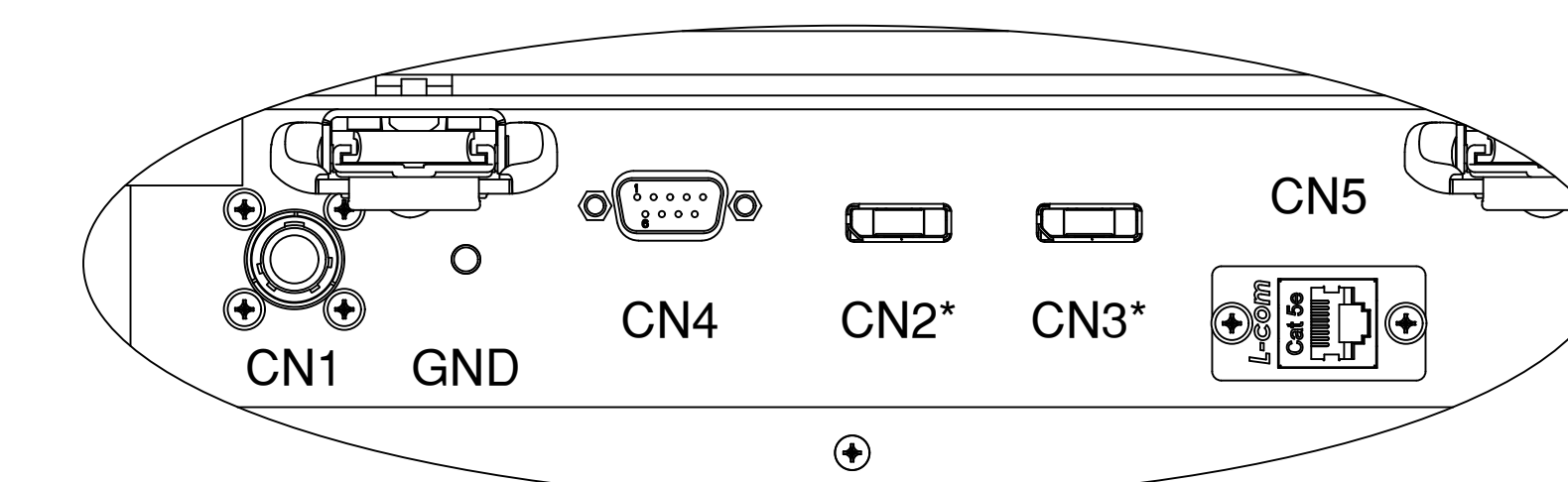
STORAGE AREA DIMENSIONS:

STORAGE AREA #1
WIDTH: 8.06
HEIGHT: 10.62
DEPTH: 7.46

STORAGE AREA #2
WIDTH: 8.06
HEIGHT: 10.96
DEPTH: 1.87



* DISPLAYPORT INPUTS CONFIGURED TO SWITCH VIDEO WHEN SOURCE IS DETECTED



DETAIL A
SCALE 2.000

SHEET 2 OF 4


REV	DATE	ECN	DESCRIPTION	BY
-4	23-Oct-20	-	ADDED 38-801 TO ACCESSORIES LIST	GL
-3	25-Sep-20	-	ADDED ALTITUDE TO UNIT SPECS TABLE	GL
-2	14-Sep-20	-	UPDATED DRAWING BASED ON CUSTOMER FEEDBACK	GL

THIS DOCUMENT CONTAINS PROPRIETARY INFORMATION OF GENERAL DIGITAL AND IS NOT TO BE DISCLOSED, REPRODUCED OR PUBLISHED WITHOUT WRITTEN CONSENT FROM GENERAL DIGITAL. THIS DOCUMENT MUST BE RENDERED ILLEGIBLE WHEN BEING DISCARDED. © COPYRIGHT 2020. ALL RIGHTS RESERVED.

UNLESS OTHERWISE SPECIFIED DIMENSIONS ARE IN INCHES
TOLERANCES ARE:
FRACTIONS DECIMALS ANGLES
±1/32 .X ±.050 ±0° 30'
.XX ±.031
.XXX±.020

CONNECTOR CHART		
DESIGNATION	FUNCTION	TYPE
CN1	AC POWER INPUT	D38999/20WA98PN
CN2*	DISPLAYPORT INPUT - BOTTOM	DISPLAYPORT
CN3*	DISPLAYPORT INPUT - TOP	DISPLAYPORT
CN4	PROGRAMMING PORT	DE-9-P
CN5	ETHERNET INPUT	RJ45
GND	GROUND STUD (1/2" LONG)	#10-32 UNC-2A

MECHANICAL OUTLINE ONLY. SPECIFICATIONS SUBJECT TO CHANGE WITHOUT NOTICE. U.O.S. ALL DIMENSIONS ARE IN INCHES.	
APPROVALS	DATE
DRAWN G.L.	10-Aug-20
CHECKED J.H.	
APPROVED B.N.	
DO NOT SCALE DRAWING	



GENERAL DIGITAL
Engineering What's Next

8 Nutmeg Road South, South Windsor, CT 06074
(860) 282-2900 www.GeneralDigital.com

**21.5" DUAL VERTICAL MONITOR
EXTERNAL TABLETOP MOUNT CONFIGURATION**

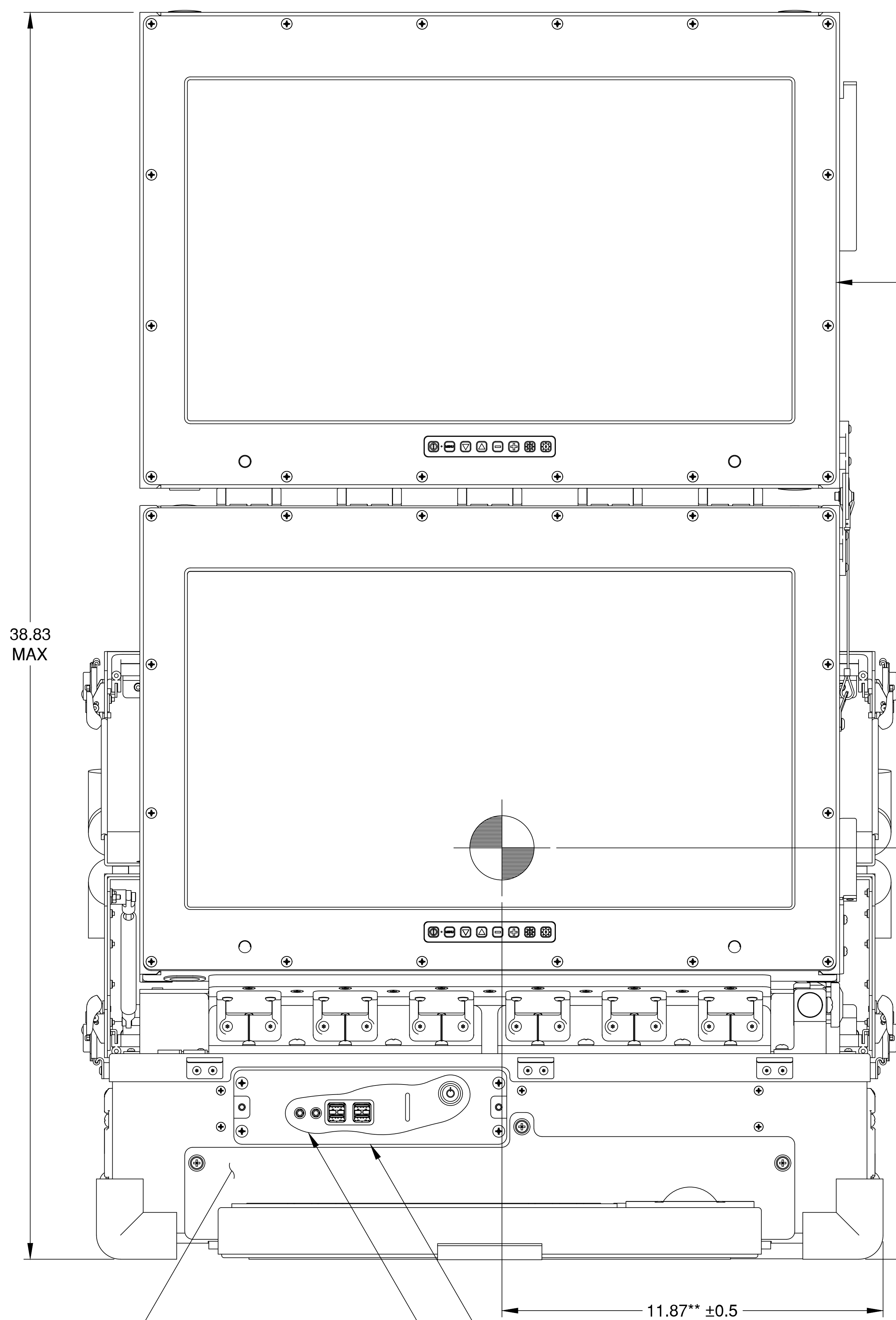
B	CAGE CODE 1JA77	DWG. NO. 2215-005-97	REV -
----------	--------------------	-------------------------	----------

CUSTOMER APPROVAL

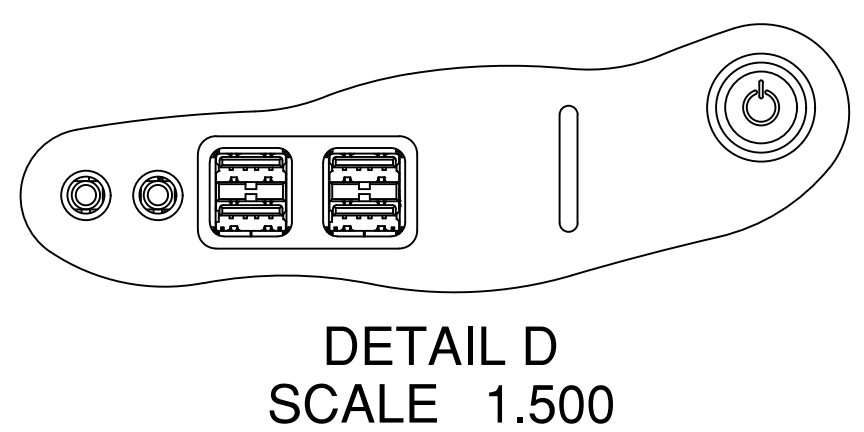
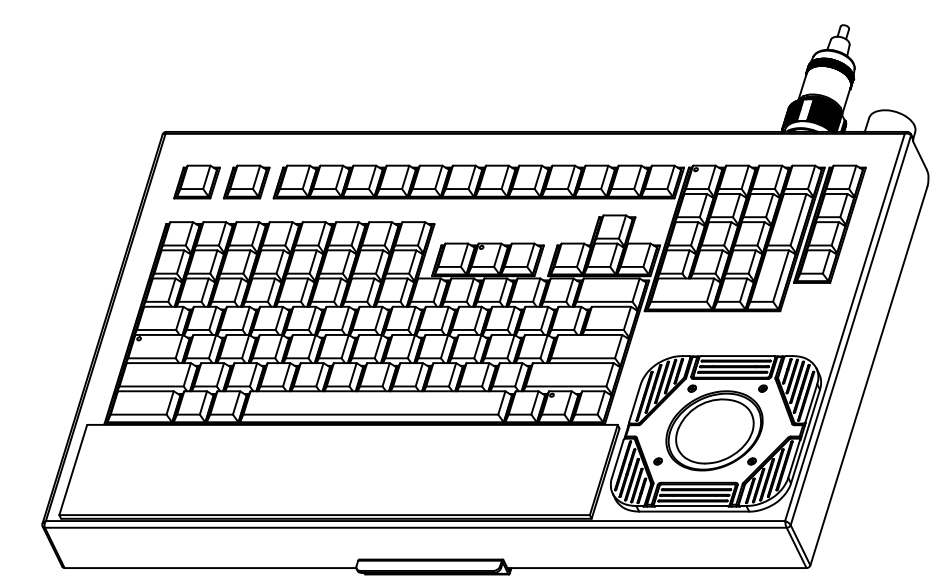
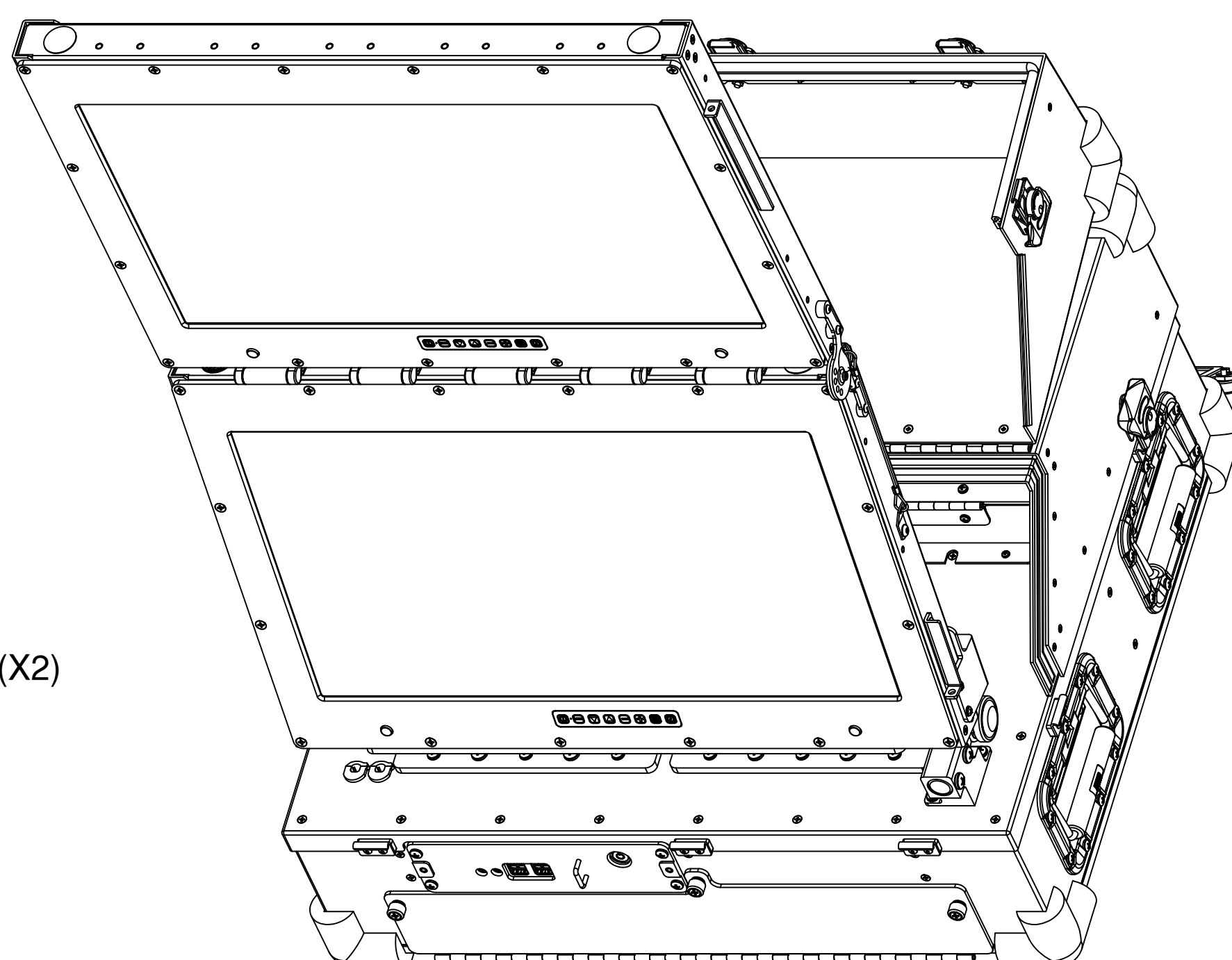
COMPANY	NAME (PRINT)
DATE	SIGNATURE

OPEN / DEPLOYED
(OPERATIONAL)

90-2215-005

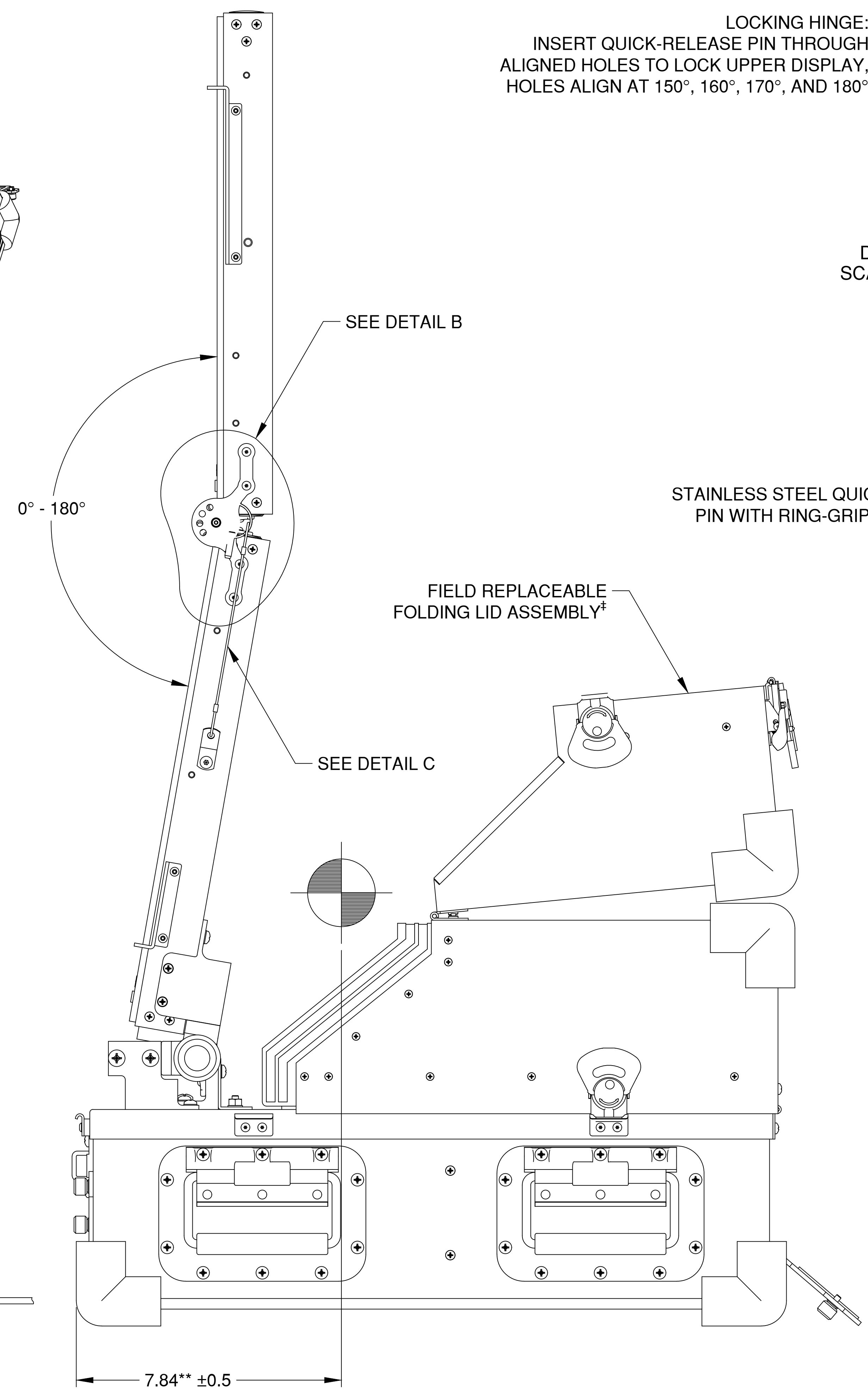
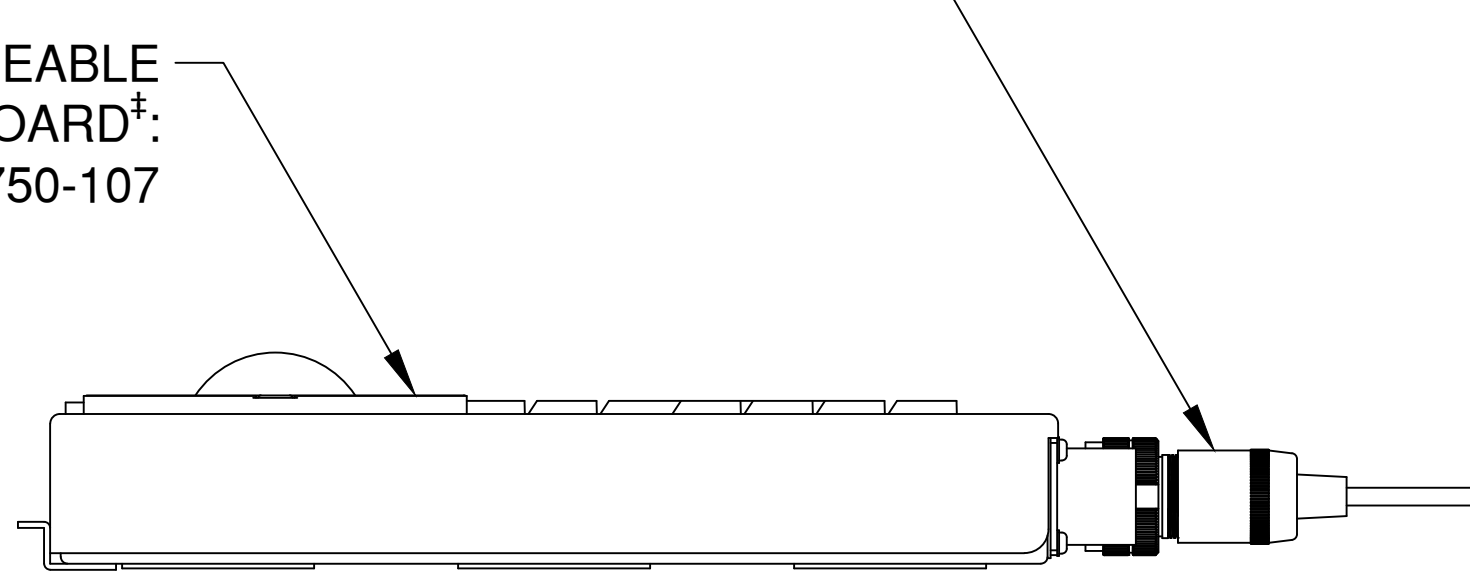


FIELD REPLACEABLE MONITOR†:
GDC P/N 90-3215-039 (X2)



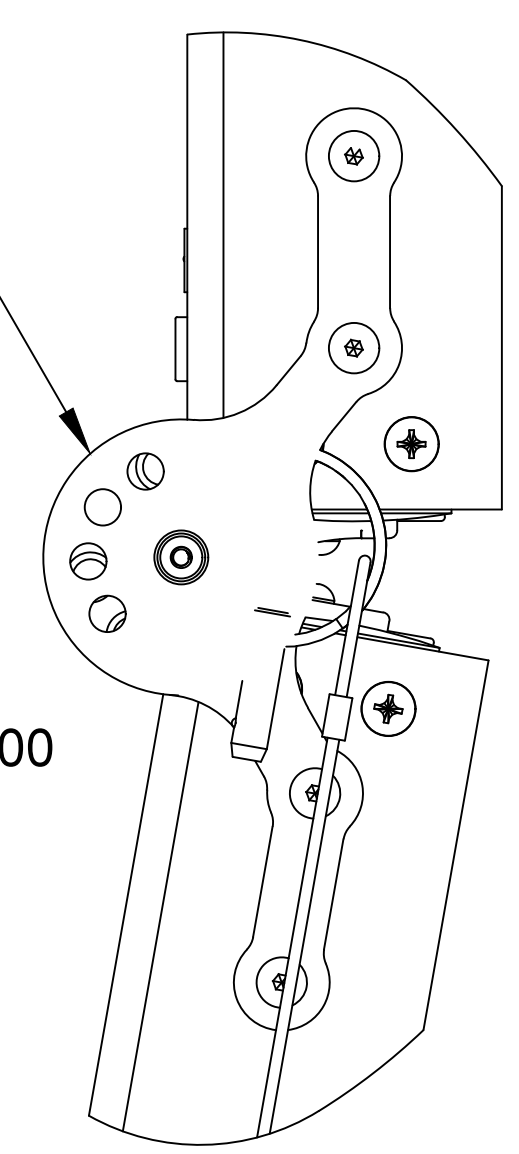
- ZERO CLIENT INTERFACE:
- POWER SWITCH
 - USB 2.0 (X4)
 - 3.5mm MICROPHONE JACK
 - 3.5mm HEADPHONE JACK

FIELD REPLACEABLE KEYBOARD CABLE CAN BE STORED IN THE STORAGE AREA & PLUGS DIRECTLY INTO ZERO CLIENT†



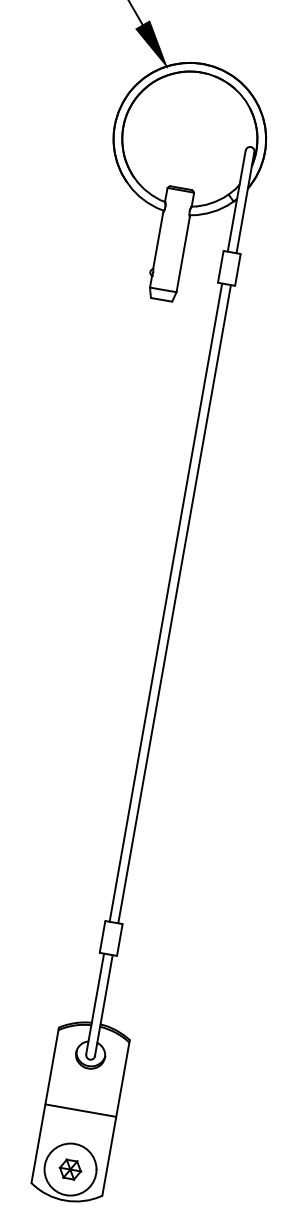
LOCKING HINGE:
INSERT QUICK-RELEASE PIN THROUGH ALIGNED HOLES TO LOCK UPPER DISPLAY, HOLES ALIGN AT 150°, 160°, 170°, AND 180°

DETAIL B
SCALE 2.000



STAINLESS STEEL QUICK-RELEASE PIN WITH RING-GRIP & LANYARD

DETAIL C
SCALE 1.500



FIELD REPLACEABLE ZERO CLIENT†, CONFORMALLY COATED§, OEM ENCLOSURE:
GDC P/N 90-1501-002
CLEARCUBE P/N CD2022

KEYBOARD ACCESS DOOR CAN BE CLOSED AFTER KEYBOARD IS REMOVED FROM DRAWER.

SEE DETAIL D

THIS DOCUMENT CONTAINS PROPRIETARY INFORMATION OF GENERAL DIGITAL AND IS NOT TO BE DISCLOSED, REPRODUCED OR PUBLISHED WITHOUT WRITTEN CONSENT FROM GENERAL DIGITAL. THIS DOCUMENT MUST BE RENDERED ILLEGIBLE WHEN BEING DISCARDED. © COPYRIGHT 2020. ALL RIGHTS RESERVED.

UNLESS OTHERWISE SPECIFIED DIMENSIONS ARE IN INCHES
TOLERANCES ARE:
FRACTIONS DECIMALS ANGLES
±1/32 .X ±.050 ±0° 30'
.XX ±.031
.XXX±.020

** CENTER OF GRAVITY SHOWN IS ONLY VALID WHEN DISPLAYS ARE DEPLOYED AT MAXIMUM HEIGHT:
LOWER DISPLAY ANGLE - 80°
UPPER DISPLAY ANGLE - 170°

† ALL FIELD REPLACEABLE PARTS CAN BE CHANGED OUT USING ONLY COMMON TOOLS

§ ZERO CLIENT IS CONFORMALLY COATED WHEN PURCHASED UNDER GDC P/N 90-1501-002

MECHANICAL OUTLINE ONLY. SPECIFICATIONS SUBJECT TO CHANGE WITHOUT NOTICE. U.O.S. ALL DIMENSIONS ARE IN INCHES.

APPROVALS	DATE
DRAWN G.L.	10-Aug-20
CHECKED J.H.	
APPROVED B.N.	
DO NOT SCALE DRAWING	



Engineering What's Next
8 Nutmeg Road South, South Windsor, CT 06074
(860) 282-2900 www.GeneralDigital.com

21.5" DUAL VERTICAL MONITOR
EXTERNAL TABLETOP MOUNT CONFIGURATION

B	CAGE CODE	DWG. NO.	REV
	1JA77	2215-005-97	-

REV	DATE	ECN	DESCRIPTION	BY
-4	23-Oct-20	-	ADDED 38-801 TO ACCESSORIES LIST	GL
-3	25-Sep-20	-	ADDED ALTITUDE TO UNIT SPECS TABLE	GL
-2	14-Sep-20	-	UPDATED DRAWING BASED ON CUSTOMER FEEDBACK	GL

CUSTOMER APPROVAL

COMPANY	NAME (PRINT)
DATE	SIGNATURE

90-2215-005

Connector Pin-out

CN1 - AC Power Input	
Type: D38999/20WA98PN	
Pin Position	Signal
A	Live
B	Neutral
C	Chassis Ground

CN4 - USB Input	
Type: DE-9-P	
Pin Position	Signal
1	N.C.
2	USB Ground
3	V _{USB IN}
4	Data -
5	N.C.
6	Data +
7	N.C.
8	N.C.
9	Chassis Ground

Accessories

- 2215-001-75: Keyboard/Trackball Cable, USBFTV6G → USB Type A, 39" Long
- 38-801: USB Extension Cable, USB 2.0 Type A Male → USB 2.0 Type A Female, 2m Long

Unit Specifications

Feature	Value	Unit
Display		
Size (Diagonal)	21.5	in.
Active Area	18.765 (H) x 10.556 (V)	in.
Resolution	1920 x 1080	Pixels
Colors	16.7 Million (8-bit)	
Viewing Angle (H/V)	±89 / ±89	Degrees (°)
Refresh Rate	60	Hz
Optical		
Brightness (Max)	250	Nits
Dimming Range	10 - 100	%
Contrast	5000:1	
Backlight Type	LED (Single Rail)	
Power		
Input	90 - 264	VAC
Frequency	47 - 63	Hz
Power Consumption (Est)	TBD	W
Environmental		
Operating Temperature	0 - +50	°C
Storage Temperature	-20 - +70	°C
Humidity	5 - 90	%RH
Vibration	MIL-STD-810G (Designed to Comply†)	
Shock	MIL-STD-810G, Section 516.6, Procedure IV - Transit Drop (Designed to Comply†)	
EMI	FCC Part 15, Class B (Designed to Comply)	
Sealing	IP65 (Designed to Comply†)	
Altitude	MIL-STD-810G (Designed to Comply)	
Mechanical		
Finish	CARC Paint, Color #36173 Ocean Gray	

† Stowed Position Only


SHEET 4 OF 4

REV	DATE	ECN	DESCRIPTION	BY
-4	23-Oct-20	-	ADDED 38-801 TO ACCESSORIES LIST	GL
-3	25-Sep-20	-	ADDED ALTITUDE TO UNIT SPECS TABLE	GL
-2	14-Sep-20	-	UPDATED DRAWING BASED ON CUSTOMER FEEDBACK	GL

THIS DOCUMENT CONTAINS PROPRIETARY INFORMATION OF GENERAL DIGITAL AND IS NOT TO BE DISCLOSED, REPRODUCED OR PUBLISHED WITHOUT WRITTEN CONSENT FROM GENERAL DIGITAL. THIS DOCUMENT MUST BE RENDERED ILLEGIBLE WHEN BEING DISCARDED. © COPYRIGHT 2020. ALL RIGHTS RESERVED.

UNLESS OTHERWISE SPECIFIED DIMENSIONS ARE IN INCHES
TOLERANCES ARE:
FRACTIONS DECIMALS ANGLES
±1/32 .X ±.050 ±0° 30'
 .XX ±.031
 .XXX±.020

MECHANICAL OUTLINE ONLY. SPECIFICATIONS SUBJECT TO CHANGE WITHOUT NOTICE. U.O.S. ALL DIMENSIONS ARE IN INCHES.	
APPROVALS	DATE
DRAWN G.L.	10-Aug-20
CHECKED J.H.	
APPROVED B.N.	
DO NOT SCALE DRAWING	



GENERAL DIGITAL
Engineering What's Next

8 Nutmeg Road South, South Windsor, CT 06074
(860) 282-2900 www.GeneralDigital.com

21.5" DUAL VERTICAL MONITOR
EXTERNAL TABLETOP MOUNT CONFIGURATION

B	CAGE CODE 1JA77	DWG. NO. 2215-005-97	REV -
----------	--------------------	-------------------------	----------