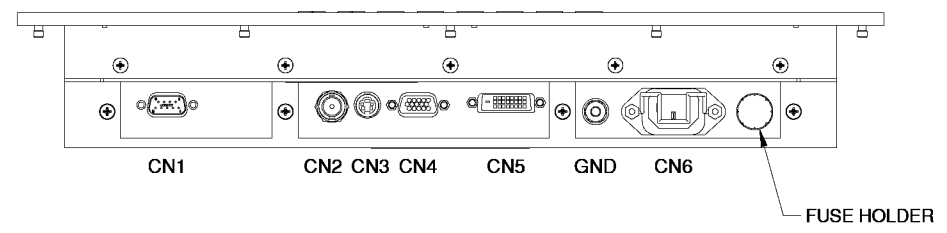
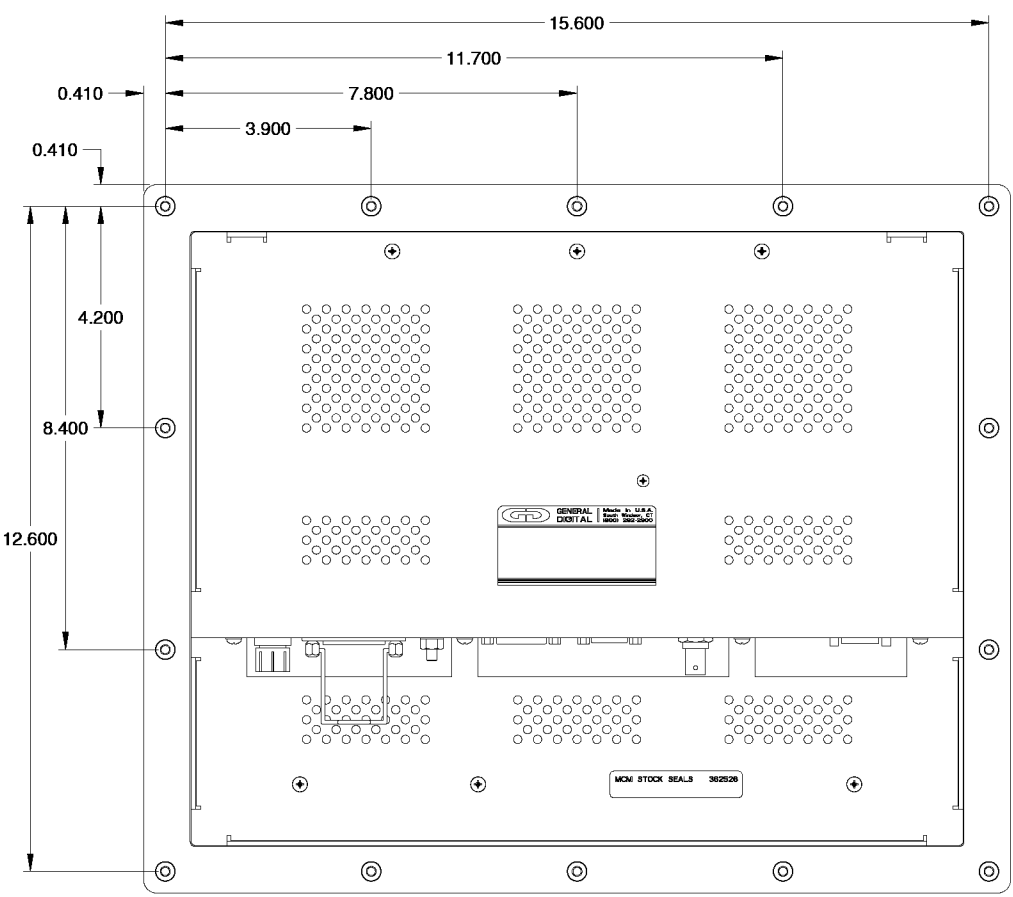
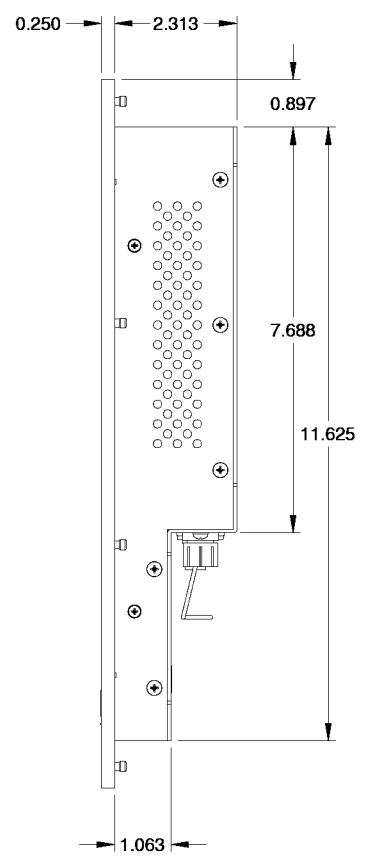
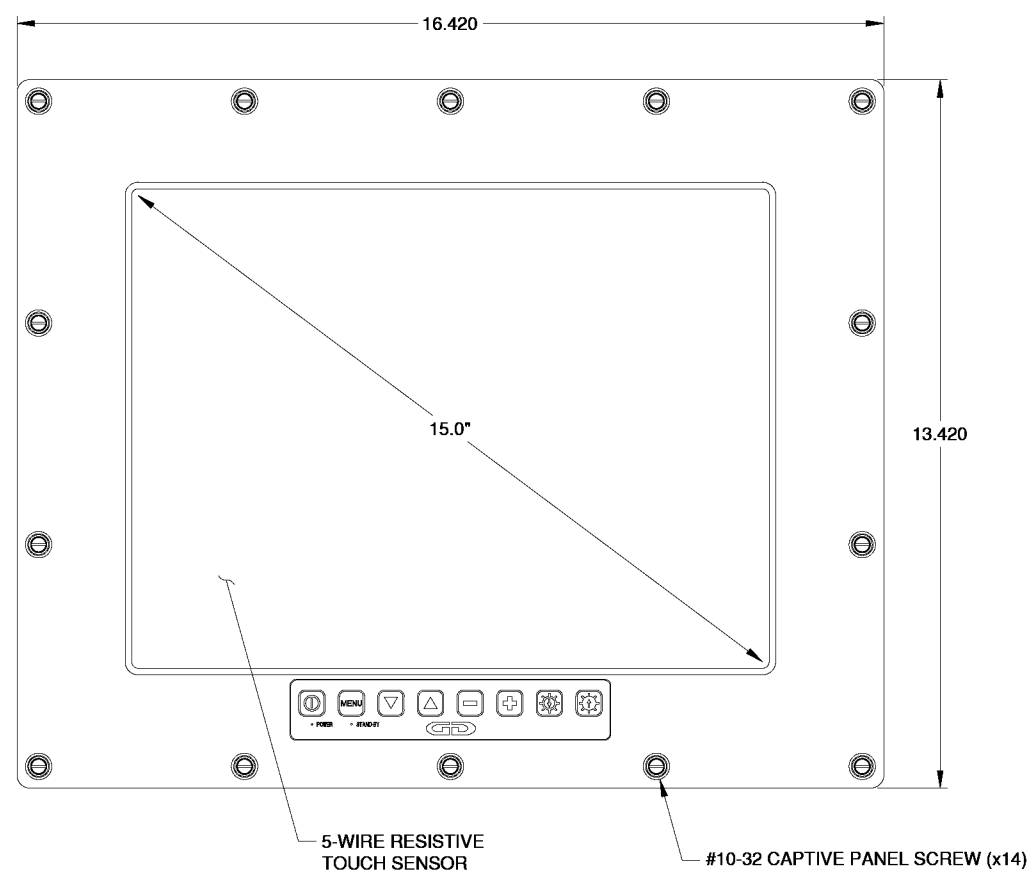
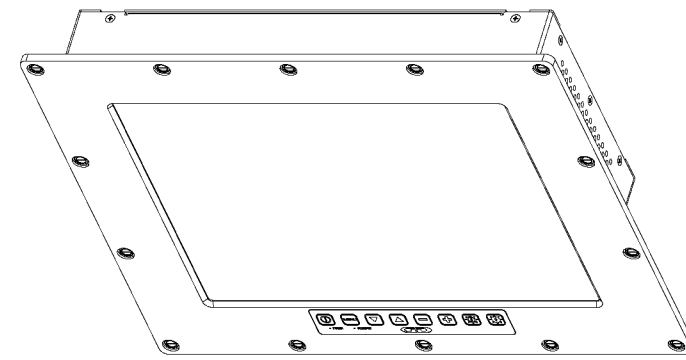
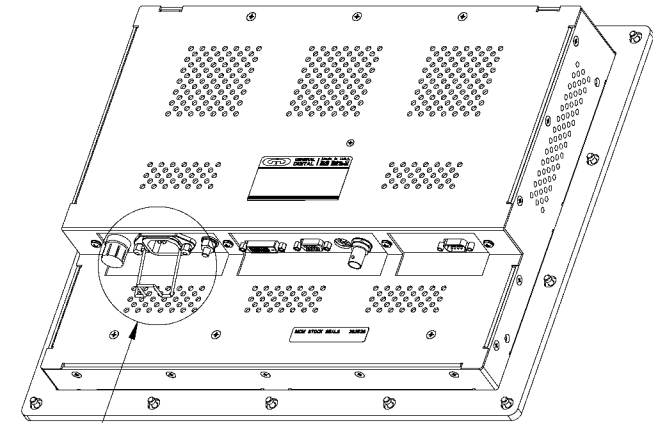
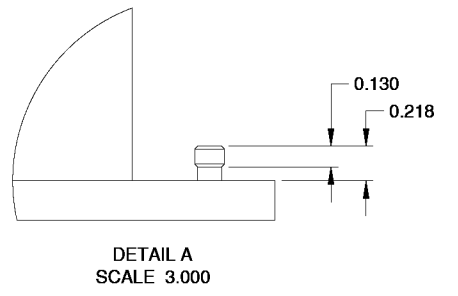
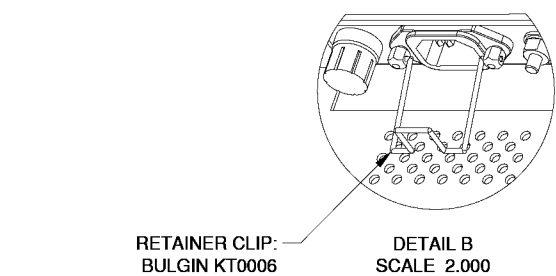
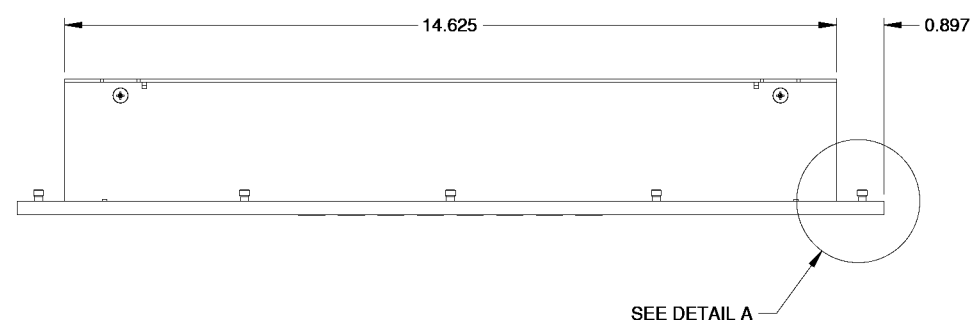


PA-15X-409-121-00-16-51-IA18-195

90-915-025



THIS DOCUMENT CONTAINS PROPRIETARY INFORMATION OF GENERAL DIGITAL AND IS NOT TO BE DISCLOSED, REPRODUCED OR PUBLISHED WITHOUT WRITTEN CONSENT FROM GENERAL DIGITAL. THIS DOCUMENT MUST BE RENDERED ILLEGIBLE WHEN BEING DISCARDED. © COPYRIGHT 2015. ALL RIGHTS RESERVED.

UNLESS OTHERWISE SPECIFIED DIMENSIONS ARE IN INCHES
 TOLERANCES ARE:
 FRACTIONS DECIMALS ANGLES
 ±1/32 .X ±.050 ±0° 30'
 .XX ±.031
 .XXX±.020

CONNECTOR CHART		
DESIGNATION	FUNCTION	TYPE
CN1	TOUCH (USB) OUTPUT	DE-9-P
CN2	COMPOSITE VIDEO INPUT	BNC JACK
CN3	S-VIDEO INPUT	4-PIN MINI-DIN
CN4	ANALOG VIDEO INPUT	DE-15-S
CN5	DVI INPUT	DVI-D
CN6	AC INPUT W/ STRAIN RELIEF	IEC-320
GND	GROUND STUD (1/2" LONG)	10-32 UNF-2A

MECHANICAL OUTLINE ONLY. SPECIFICATIONS SUBJECT TO CHANGE WITHOUT NOTICE. U.O.S. ALL DIMENSIONS ARE IN INCHES.	
APPROVALS	DATE
DRAWN G.L.	09-Jan-17
CHECKED T.R.	11-Jan-17
APPROVED J.H.	11-Jan-17
DO NOT SCALE DRAWING	

60 Prestige Park Road, East Hartford, CT 06108
 860.282.2900 www.GeneralDigital.com

**SABER PANELMOUNT
 15.0" XGA MONITOR**

B	CAGE CODE	DWG. NO.	REV
	1JA77	915-025-97	V1