

CUSTOMER APPROVAL

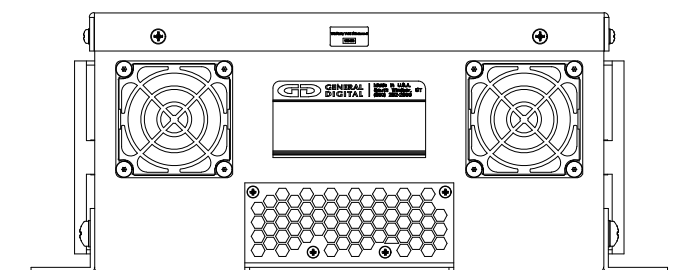
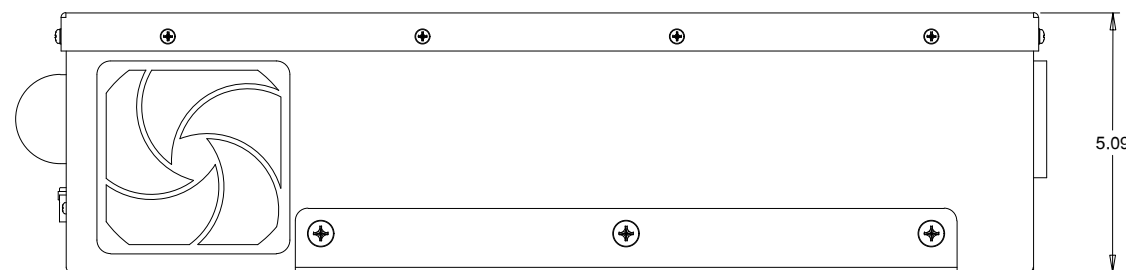
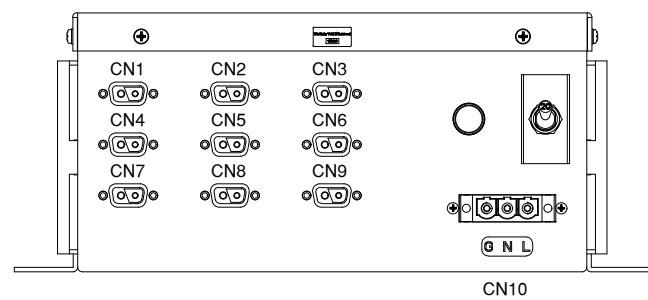
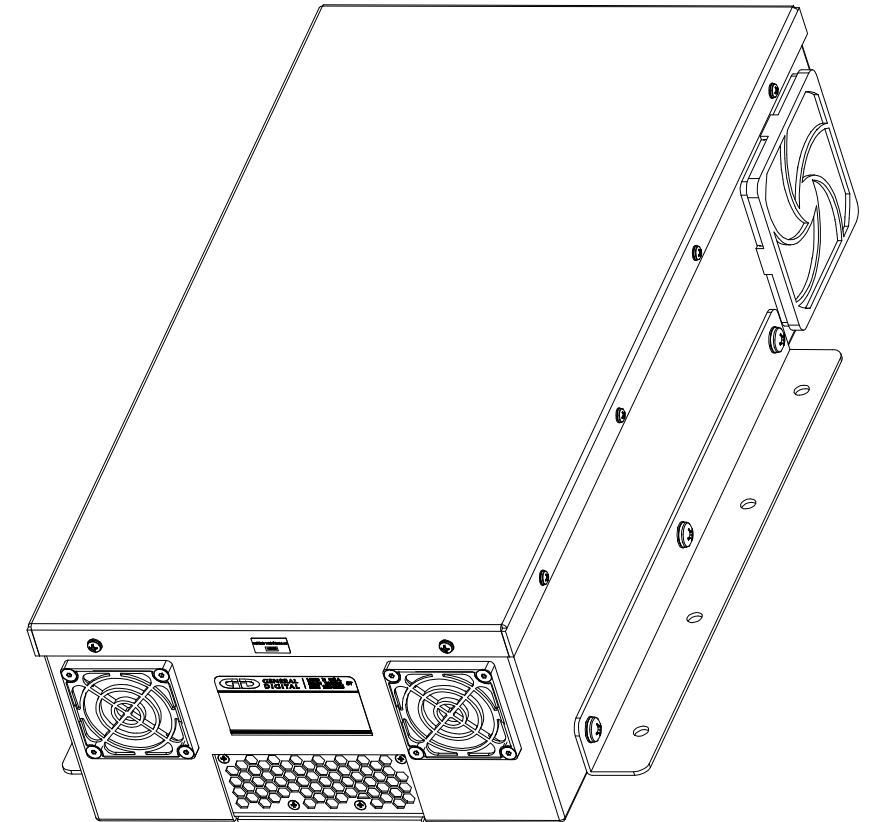
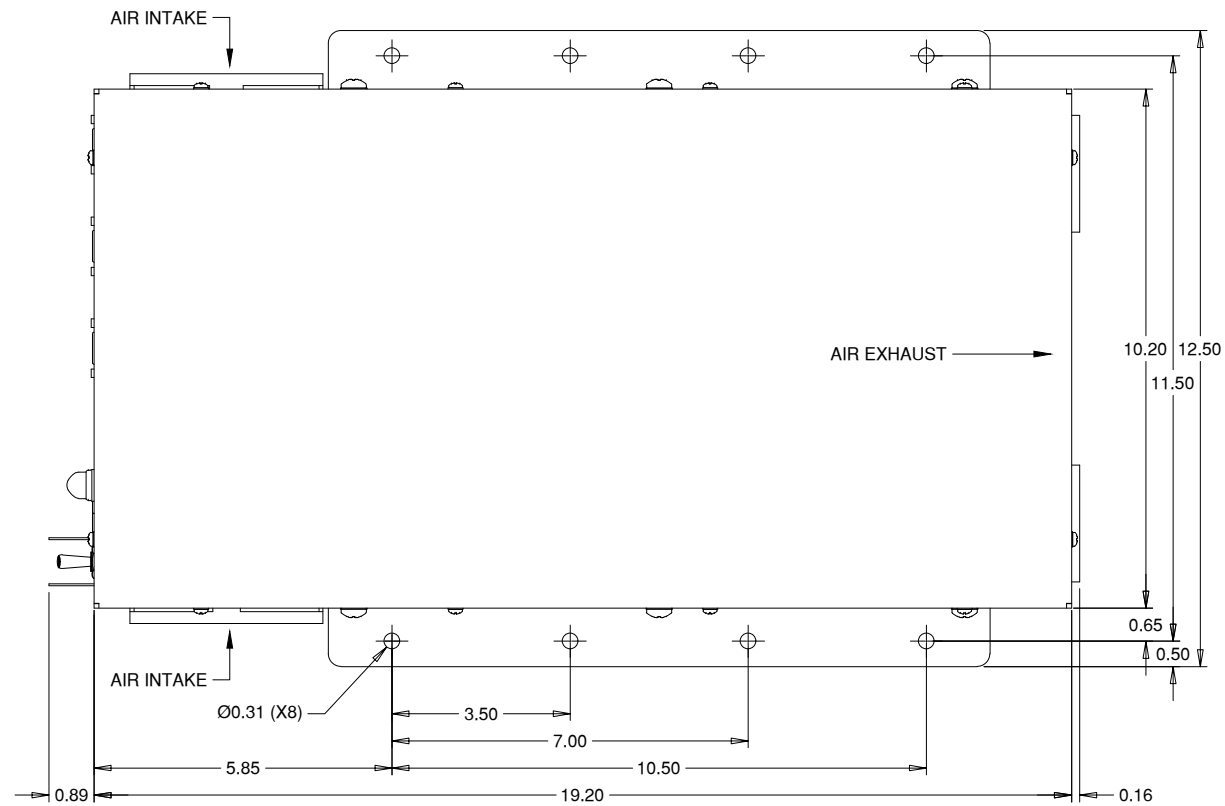
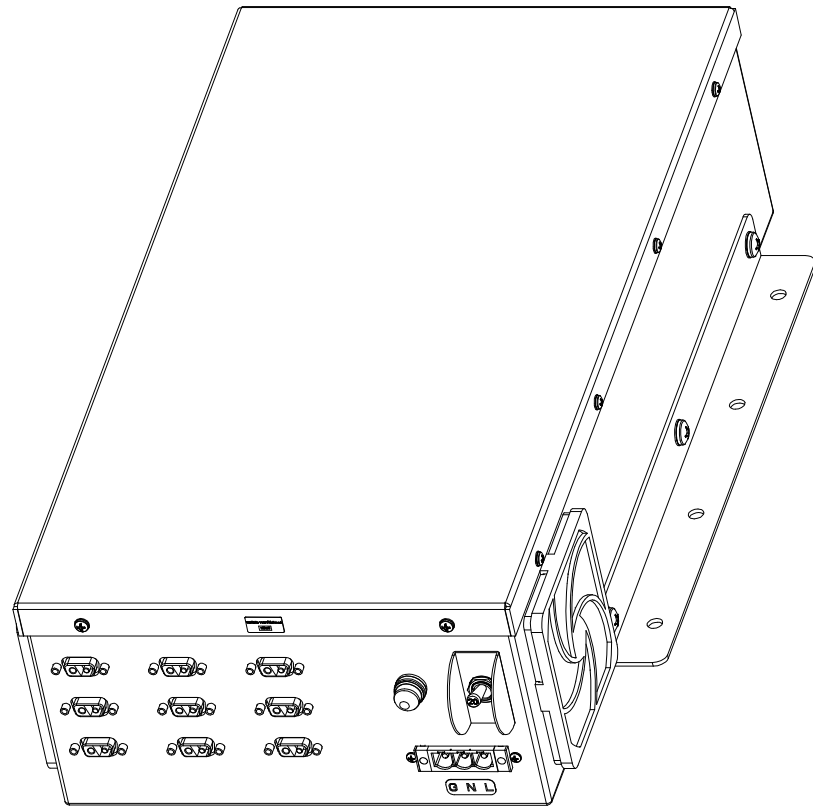
90-1105-077

COMPANY

NAME (PRINT)

DATE

SIGNATURE



SHEET 1 OF 2

THIS DOCUMENT CONTAINS PROPRIETARY INFORMATION OF GENERAL DIGITAL AND IS NOT TO BE DISCLOSED, REPRODUCED OR PUBLISHED WITHOUT WRITTEN CONSENT FROM GENERAL DIGITAL. THIS DOCUMENT MUST BE RENDERED ILLEGIBLE WHEN BEING DISCARDED. © COPYRIGHT 2020. ALL RIGHTS RESERVED.

UNLESS OTHERWISE SPECIFIED DIMENSIONS ARE IN INCHES
TOLERANCES ARE:
FRACTIONS DECIMALS ANGLES
±1/32 .X ±.050 ±0° 30'
.XX ±.031
.XXX±.020

CONNECTOR CHART		
DESIGNATION	FUNCTION	TYPE
CN1 - CN9	+24 VDC OUTPUT	DE-2W2-S
CN10	AC INPUT (PHOENIX CONTACT)	1703467

MECHANICAL OUTLINE ONLY. SPECIFICATIONS SUBJECT TO CHANGE WITHOUT NOTICE. U.O.S. ALL DIMENSIONS ARE IN INCHES.	
APPROVALS	DATE
DRAWN C.P.	20-Jan-21
CHECKED B.N.	20-Jan-21
APPROVED J.H.	20-Jan-21
DO NOT SCALE DRAWING	



60 Prestige Park Road, East Hartford, CT 06108
(860) 282-2900 www.GeneralDigital.com

**POWER SUPPLY, STAND-ALONE
AC-DC, 3200W**

REV	DATE	ECN	DESCRIPTION	BY

B	CAGE CODE	DWG. NO.	REV
	1JA77	1105-077-97	-

CUSTOMER APPROVAL

90-1105-077

COMPANY	NAME (PRINT)
DATE	SIGNATURE

CN10 - AC Power Output	
PHOENIX CONTACT 1703467	
MATE - PHOENIX CONTACT 1737530	
Pin	Signal
1	GROUND
2	NEUTRAL
3	LINE

CN1-CN9 - DC Power Output	
DE-2W2-S	
Pin	Signal
A1	+24 VDC
A2	Ground

Power Supply Characteristics		
Input	AC Voltage (VAC)	120
	Frequency (Hz)	47 – 63
Output	DC Voltage (VDC)	+24
	Current (A)	133
PROTECTION	Circuit Breaker Interrupt (A)	20
	Overload (%)	135 - 1000
	Over Voltage (VDC)	31.5 - 37.5
	Over Temp (°C)	+70
Environment	Storage Temperature (°C)	-40 – +85
	Operating Temperature (°C)	-30 – +70 *
	Humidity (%RH)	20 – 90

* Derates from 100% to 50% load from 50°C to 70°C

ACCESSORIES:

- 1105-077-08 - AC CONNECTOR KIT, 3-POSITION TERMINAL BLOCK HEADER, FEMALE, FREE HANGING (X1)
- 1105-077-xx - DC POWER CABLES, (X9) (TBD)

SHEET 2 OF 2

THIS DOCUMENT CONTAINS PROPRIETARY INFORMATION OF GENERAL DIGITAL AND IS NOT TO BE DISCLOSED, REPRODUCED OR PUBLISHED WITHOUT WRITTEN CONSENT FROM GENERAL DIGITAL. THIS DOCUMENT MUST BE RENDERED ILLEGIBLE WHEN BEING DISCARDED. © COPYRIGHT 2020. ALL RIGHTS RESERVED.

UNLESS OTHERWISE SPECIFIED DIMENSIONS ARE IN INCHES
 TOLERANCES ARE:
 FRACTIONS DECIMALS ANGLES
 ±1/32 .X ±.050 ±0° 30'
 .XX ±.031
 .XXX±.020

CONNECTOR CHART			MECHANICAL OUTLINE ONLY. SPECIFICATIONS SUBJECT TO CHANGE WITHOUT NOTICE. U.O.S. ALL DIMENSIONS ARE IN INCHES.	
DESIGNATION	FUNCTION	TYPE	APPROVALS	DATE
CN1 - CN9	+24 VDC OUTPUT	DE-2W2-S	DRAWN	20-Jan-21
CN10	AC INPUT (PHOENIX CONTACT)	1703467	CHECKED	20-Jan-21
			APPROVED	20-Jan-21
			DO NOT SCALE DRAWING	



60 Prestige Park Road, East Hartford, CT 06108
 (860) 282-2900 www.GeneralDigital.com

POWER SUPPLY, STAND-ALONE
 AC-DC, 3200W

REV	DATE	ECN	DESCRIPTION	BY

B	CAGE CODE	DWG. NO.	REV
	1JA77	1105-077-97	-