

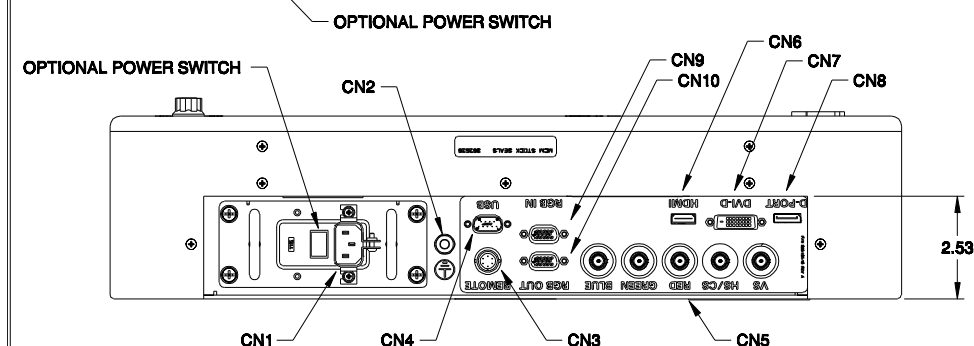
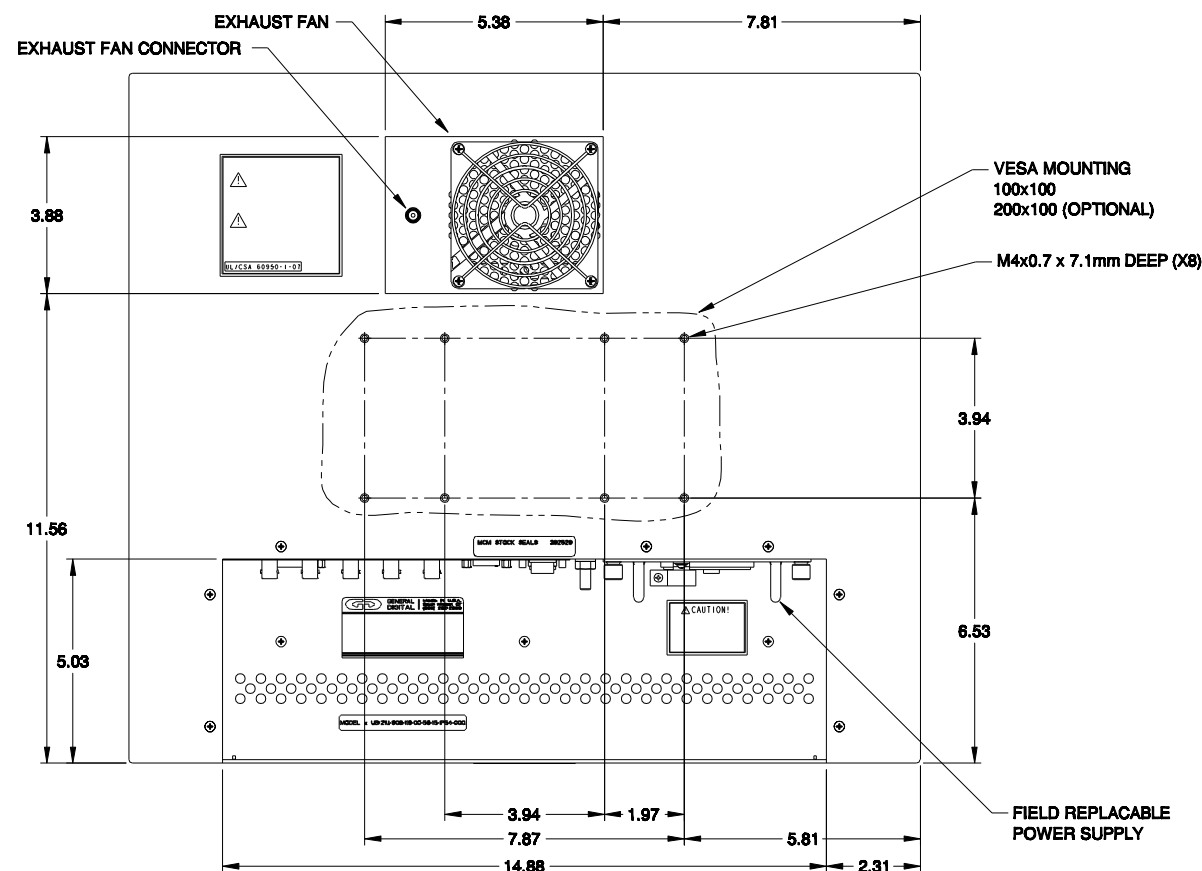
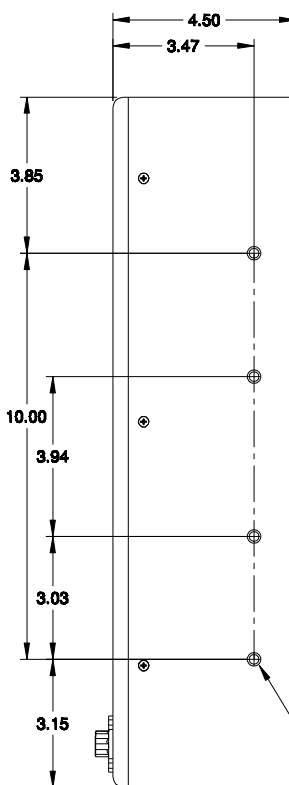
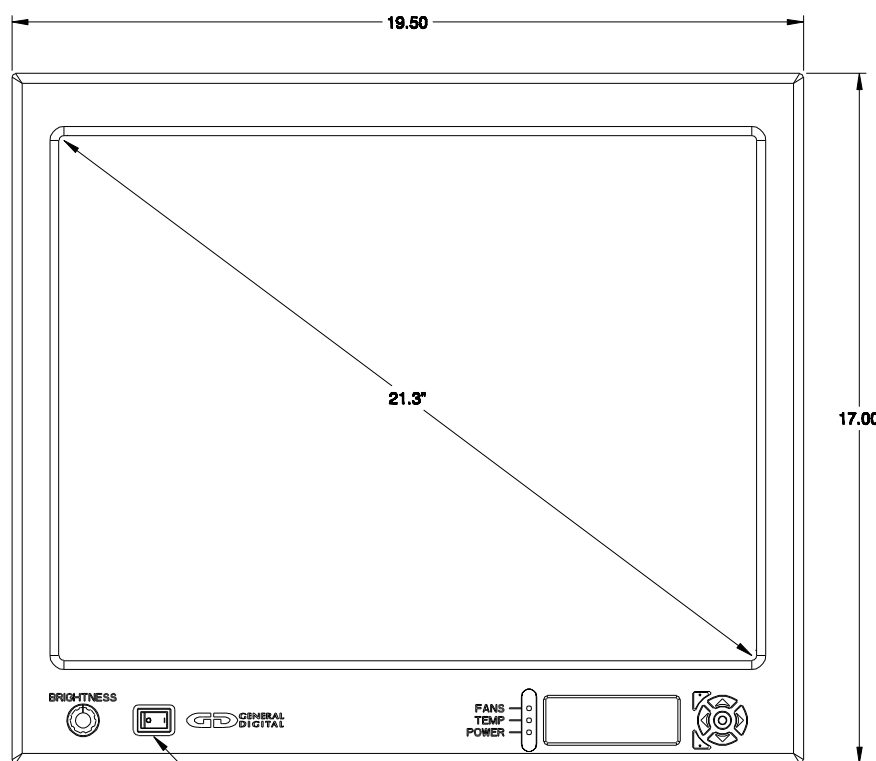
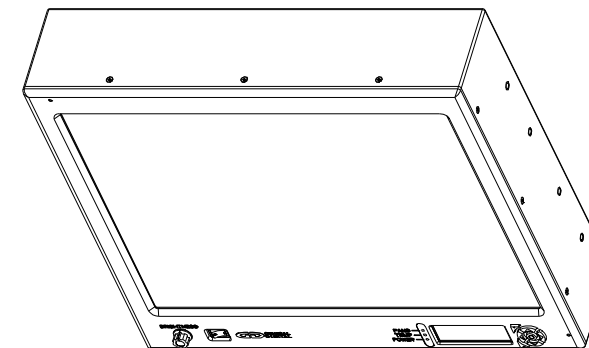
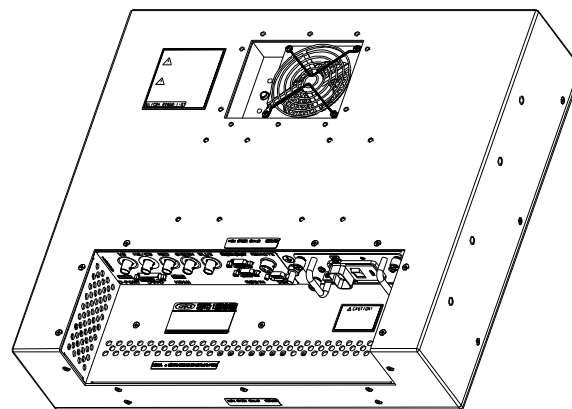
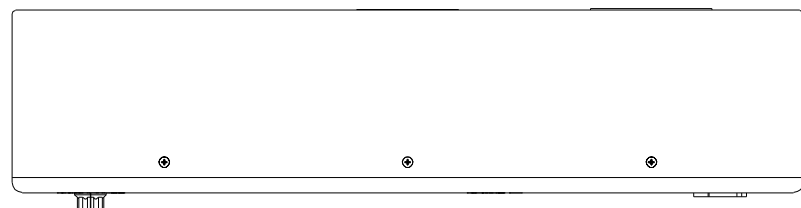
CUSTOMER APPROVAL

COMPANY _____
 DATE _____

NAME (PRINT) _____
 SIGNATURE _____

OPTION (ccc)	BACKLIGHT DESCRIPTION
809	OEM EDGE-LIT LED
995	ENHANCED EDGE-LIT LED
996	ENHANCED DIRECT BACKLIT

UB-21U-ccc-119-00-56-15-IP54-000




THIS DOCUMENT CONTAINS PROPRIETARY INFORMATION OF GENERAL DIGITAL AND IS NOT TO BE DISCLOSED, REPRODUCED OR PUBLISHED WITHOUT WRITTEN CONSENT FROM GENERAL DIGITAL. THIS DOCUMENT MUST BE RENDERED ILLEGIBLE WHEN BEING DISCARDED. © COPYRIGHT 2014. ALL RIGHTS RESERVED.

UNLESS OTHERWISE SPECIFIED DIMENSIONS ARE IN INCHES TOLERANCES ARE:
 FRACTIONS DECIMALS ANGLES
 ±1/32 .X ±.050 ±0° 30'
 .XX ±.031
 .XXX±.020

DESIGNATION	FUNCTION	TYPE
CN1	AC POWER INPUT	IEC-320
CN2	GROUND STUD	1/4-20 UNC-2A
CN3	REMOTE BRIGHTNESS CONTROL	6 PIN CIRC.
CN4	USB PORT	DE-9-P
CN5	VGA VIDEO INPUT	BNC (X5)
CN6	HDMI PORT	HDMI
CN7	DVI-D INPUT	DVI-D
CN8	DISPLAYPORT INPUT	DISPLAYPORT
CN9	VGA VIDEO INPUT (OPTIONAL)	DE-15-S
CN10	VGA VIDEO OUTPUT (OPTIONAL)	DE-15-S

MECHANICAL OUTLINE ONLY. SPECIFICATIONS SUBJECT TO CHANGE WITHOUT NOTICE. U.O.S. ALL DIMENSIONS ARE IN INCHES.	
APPROVALS	DATE
CHECKED C.P.	20-Mar-14
APPROVED J.H.	20-Mar-14
B.G.	20-Mar-14
DO NOT SCALE DRAWING	



GENERAL DIGITAL
The Innovators of Flat Panel Technology
 8 Nutmeg Road South, South Windsor, CT 06074
 (860) 282-2900 www.GeneralDigital.com

GenStar IV - ULTRA-BRIGHT
21.3" UXGA FLAT PANEL MONITOR

B	CAGE CODE 1JA77	DWG. NO. 14-27	REV -
----------	--------------------	-------------------	----------

REV	DATE	ECN	DESCRIPTION	BY