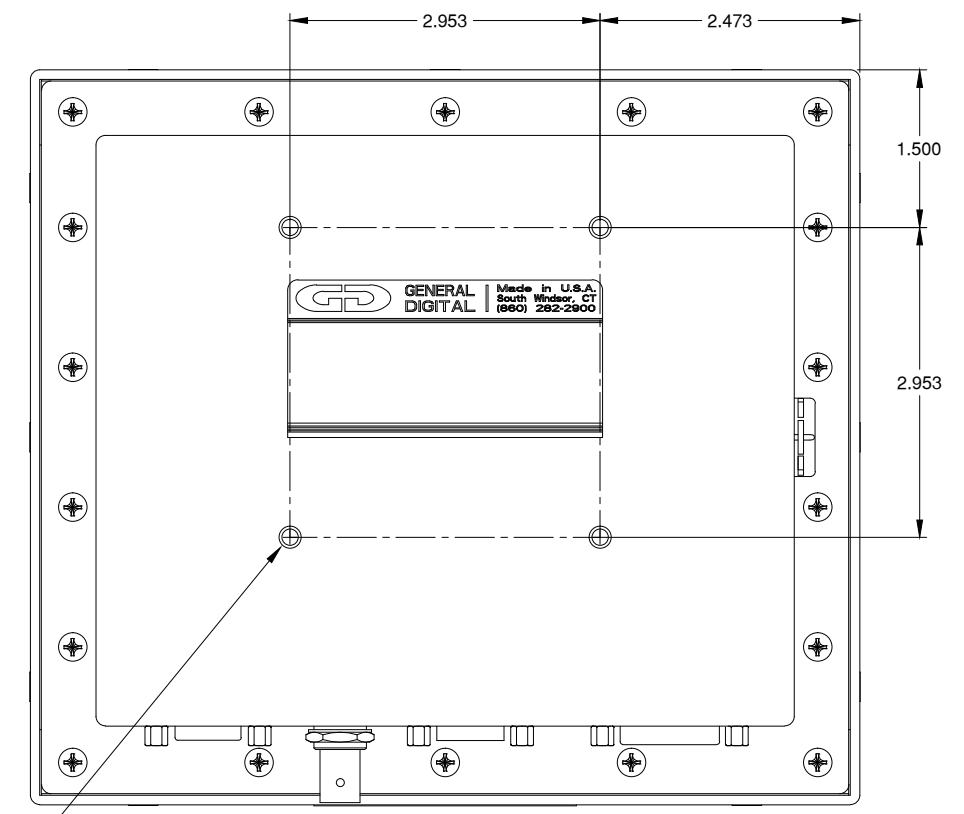
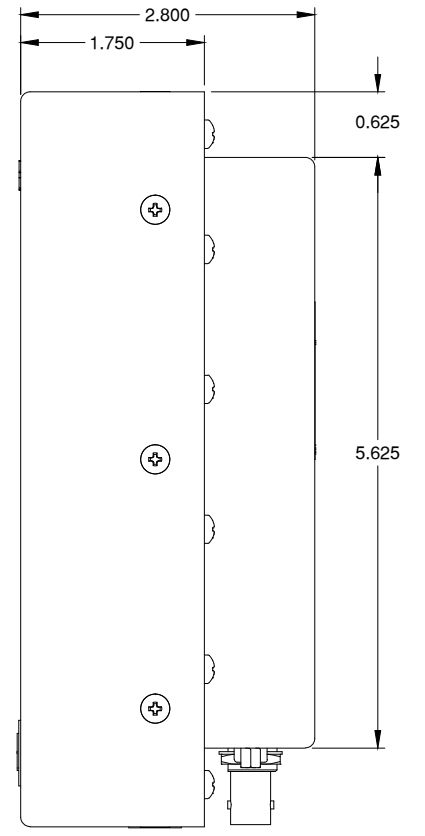
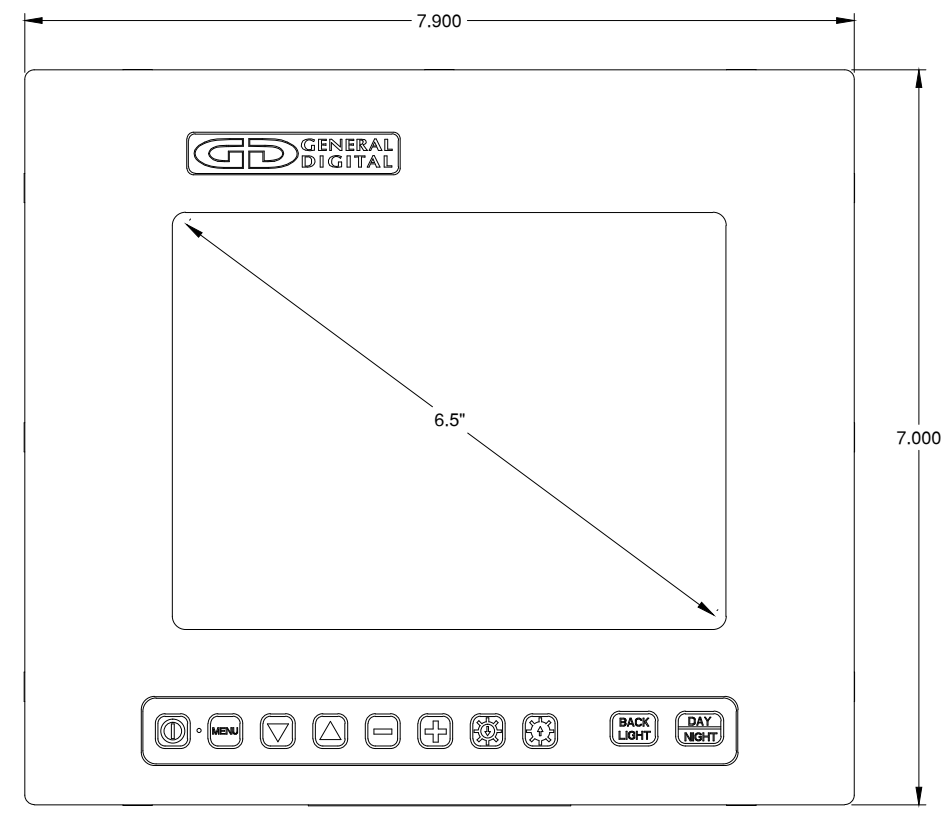
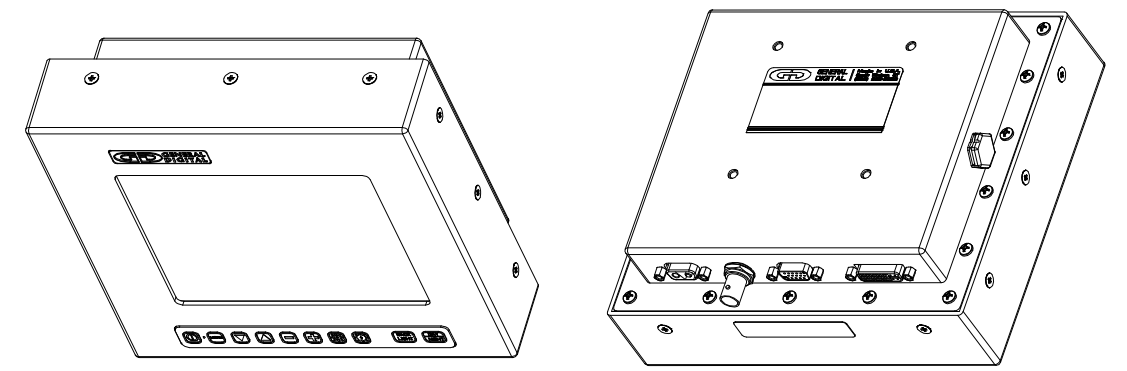
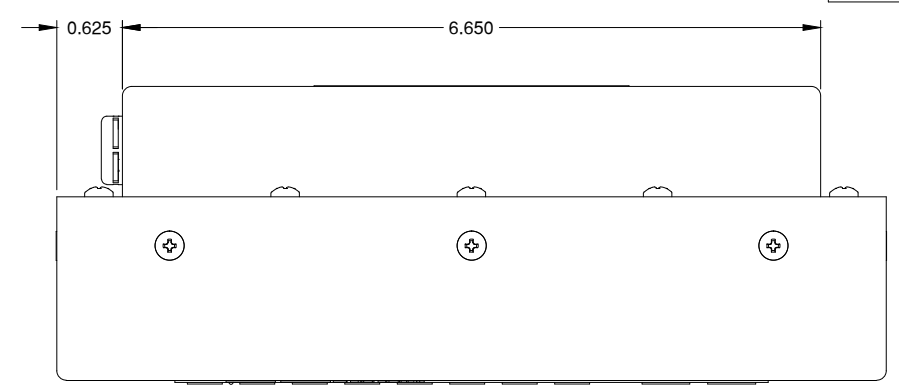
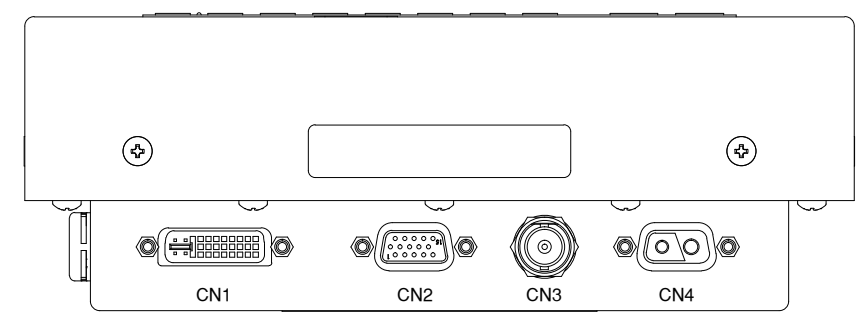


(X) OPTION	UNIT DESCRIPTION
-	BARRACUDA STANDALONE
S	BARRACUDA STANDALONE SOLAR
SN	BARRACUDA STANDALONE SOLAR/NVIS
D	BARRACUDA STANDALONE DAYLIGHT READABLE

(X)BS-06V-cccc-108-00-31-04-SA31-000



MOUNTING HOLES
M4 x 6.35mm DEEP (X4)



THIS DOCUMENT CONTAINS PROPRIETARY INFORMATION OF GENERAL DIGITAL AND IS NOT TO BE DISCLOSED, REPRODUCED OR PUBLISHED WITHOUT WRITTEN CONSENT FROM GENERAL DIGITAL. THIS DOCUMENT MUST BE RENDERED ILLEGIBLE WHEN BEING DISCARDED. ©COPYRIGHT 2012. ALL RIGHTS RESERVED.

CONNECTOR CHART		
DESIGNATION	FUNCTION	TYPE
CN1	DVI-D INPUT	DVI-D
CN2	ANALOG VIDEO INPUT	DE-15-S
CN3	COMPOSITE VIDEO INPUT	BNC STYLE
CN4	+12 VDC INPUT	DE-2W2-S

MECHANICAL OUTLINE ONLY. SPECIFICATIONS SUBJECT TO CHANGE WITHOUT NOTICE. U.O.S. ALL DIMENSIONS ARE IN INCHES.	
APPROVALS	DATE
DRAWN G.L.	08-Apr-14
CHECKED K.H.	
APPROVED B.G.	
DO NOT SCALE DRAWING	

GD GENERAL DIGITAL
The Innovators of Flat Panel Technology
 8 Nutmeg Road South, South Windsor, CT 06074
 (860) 282-2900 www.GeneralDigital.com

UNLESS OTHERWISE SPECIFIED DIMENSIONS ARE IN INCHES
 TOLERANCES ARE:
 FRACTIONS DECIMALS ANGLES
 ±1/32 .X ±.050 ±0° 30'
 .XX ±.031
 .XXX±.020

BARRACUDA STANDALONE 6.5" VGA MONITOR			
B	CAGE CODE 1JA77	DWG. NO. 14-41	REV A

REV	DATE	ECN	DESCRIPTION	BY
A	21-May-14	-	ADDED DISPLAY OPTIONS TABLE	GL