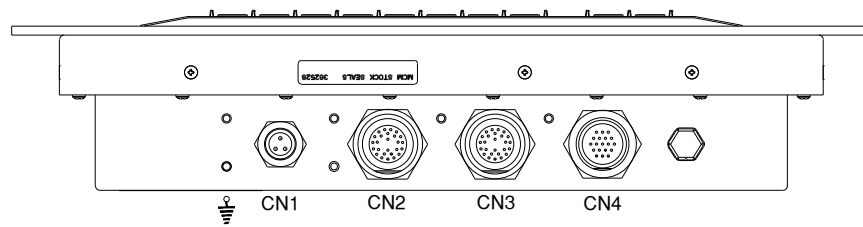
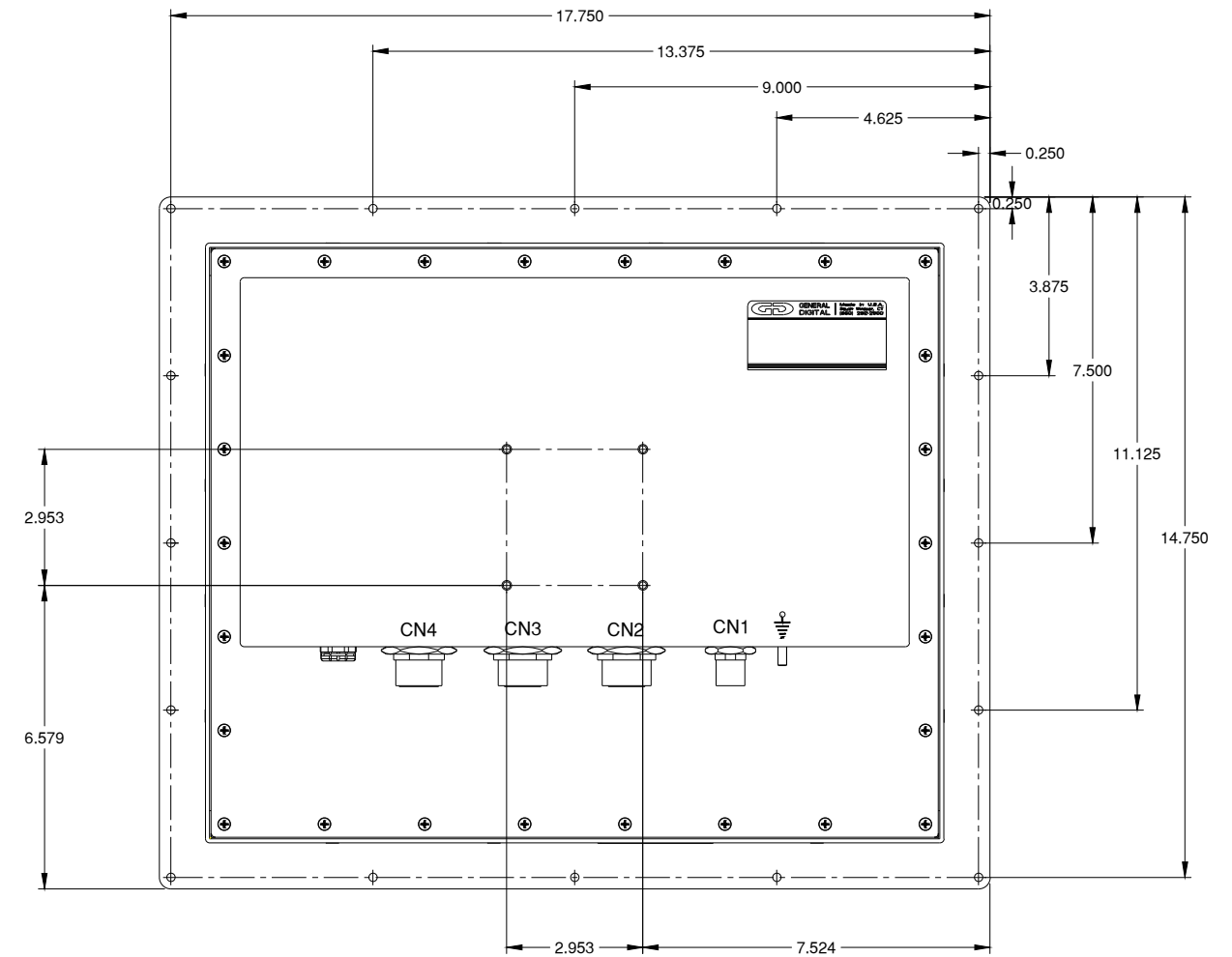
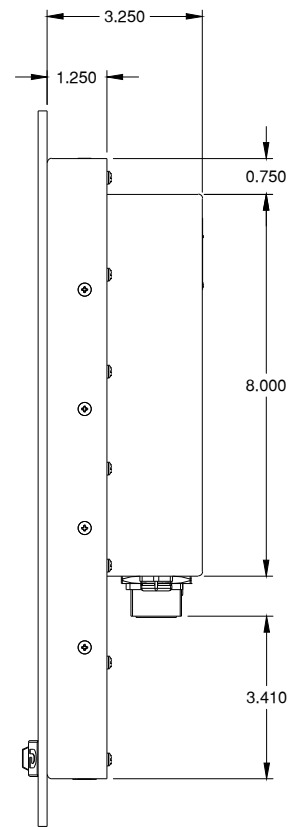
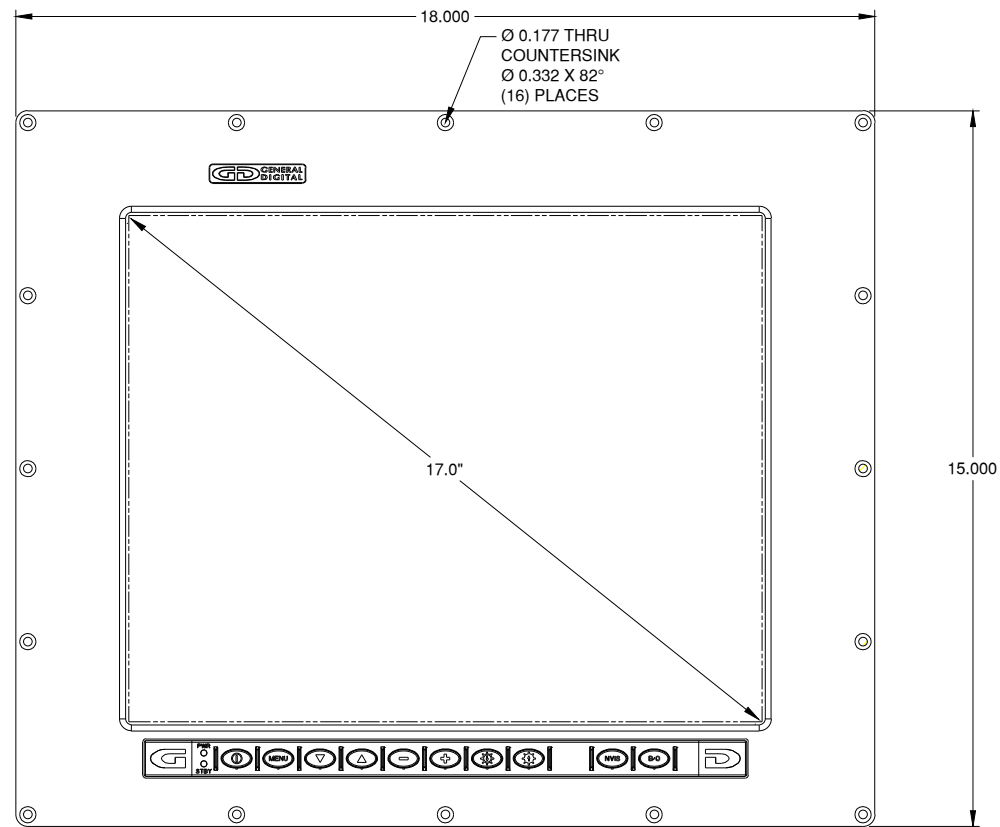
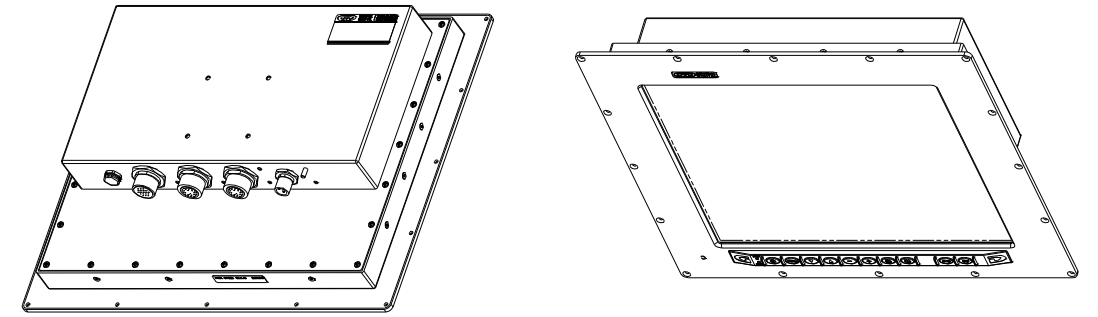
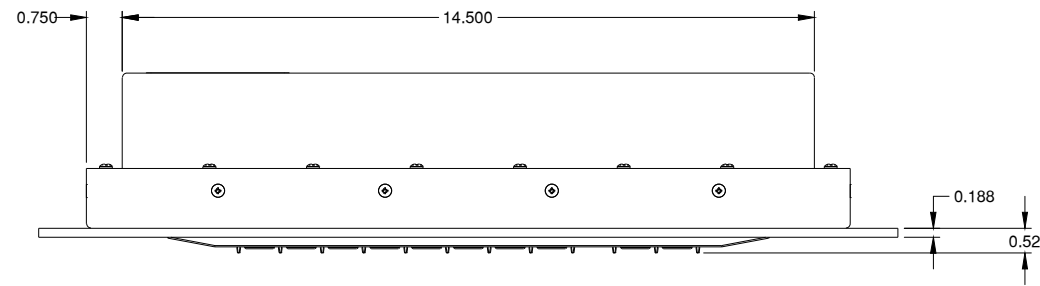


(X) OPTION	UNIT DESCRIPTION
-	BARRACUDA PANEL MOUNT
S	BARRACUDA PANEL MOUNT SOLAR
SN	BARRACUDA PANEL MOUNT SOLAR/NVIS
D	BARRACUDA PANEL MOUNT DAYLIGHT READABLE

(X)BP-17W-cccc-108-00-31-gg-ID52-153



THIS DOCUMENT CONTAINS PROPRIETARY INFORMATION OF GENERAL DIGITAL AND IS NOT TO BE DISCLOSED, REPRODUCED OR PUBLISHED WITHOUT WRITTEN CONSENT FROM GENERAL DIGITAL. THIS DOCUMENT MUST BE RENDERED ILLEGIBLE WHEN BEING DISCARDED. ©COPYRIGHT 2013. ALL RIGHTS RESERVED.

UNLESS OTHERWISE SPECIFIED DIMENSIONS ARE IN INCHES TOLERANCES ARE:
 FRACTIONS DECIMALS ANGLES
 ±1/32 .X ±.050 ±0° 30'
 .XX ±.031
 .XXX±.020

CONNECTOR CHART		
DESIGNATION	FUNCTION	TYPE
CN1	DC CONNECTOR (+9 TO +36VDC)	D38999/24WA98PN
CN2	DVI-D VIDEO CONNECTOR	D38999/24WE26SN
CN3	DVI-D VIDEO CONNECTOR	D38999/24WE26SN
CN4	I/O CONNECTOR	D38999/24WD19SN

MECHANICAL OUTLINE ONLY. SPECIFICATIONS SUBJECT TO CHANGE WITHOUT NOTICE. U.O.S. ALL DIMENSIONS ARE IN INCHES.	
APPROVALS	DATE
DRAWN G.L.	01-Apr-14
CHECKED K.H.	
APPROVED B.G.	
DO NOT SCALE DRAWING	

GD GENERAL DIGITAL
The Innovators of Flat Panel Technology
 8 Nutmeg Road South, South Windsor, CT 06074
 (860) 282-2900 www.GeneralDigital.com

BARRACUDA PANEL MOUNT
17.0" SXGA MONITOR

REV	DATE	ECN	DESCRIPTION	BY
A	21-May-14	-	ADDED DISPLAY OPTIONS TABLE	GL

CAGE CODE	DWG. NO.	REV
1JA77	14-38	A